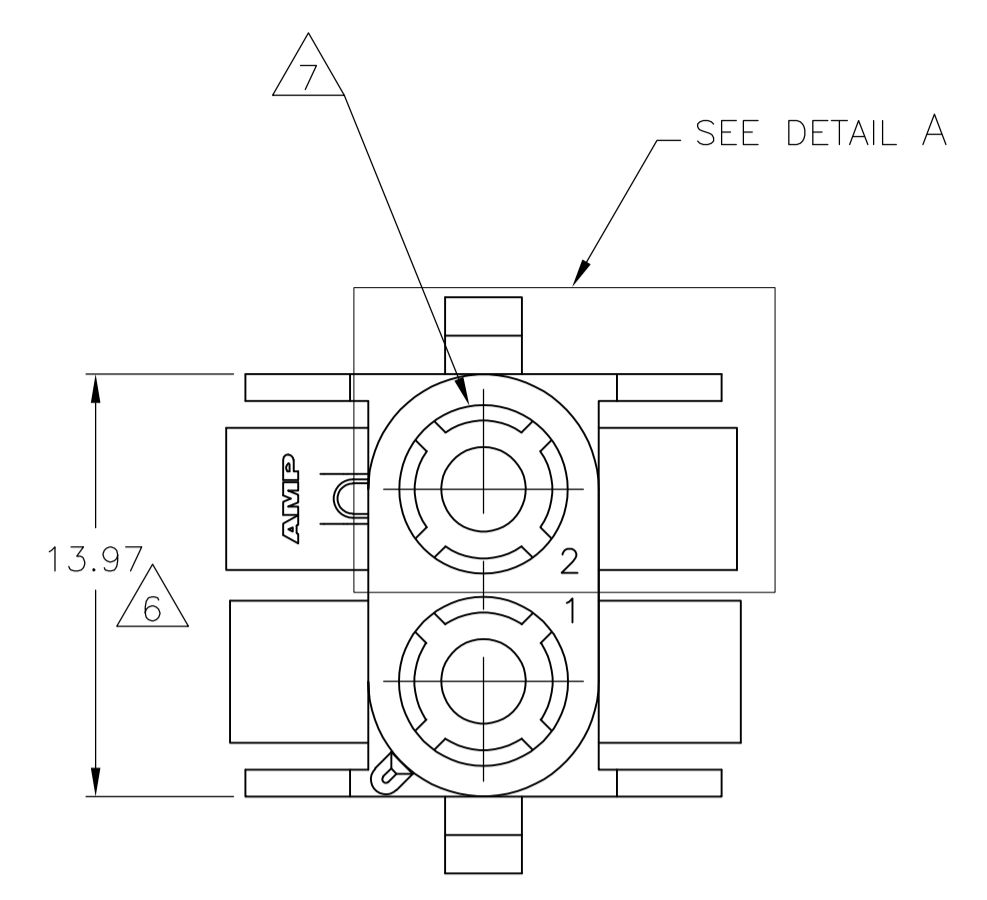
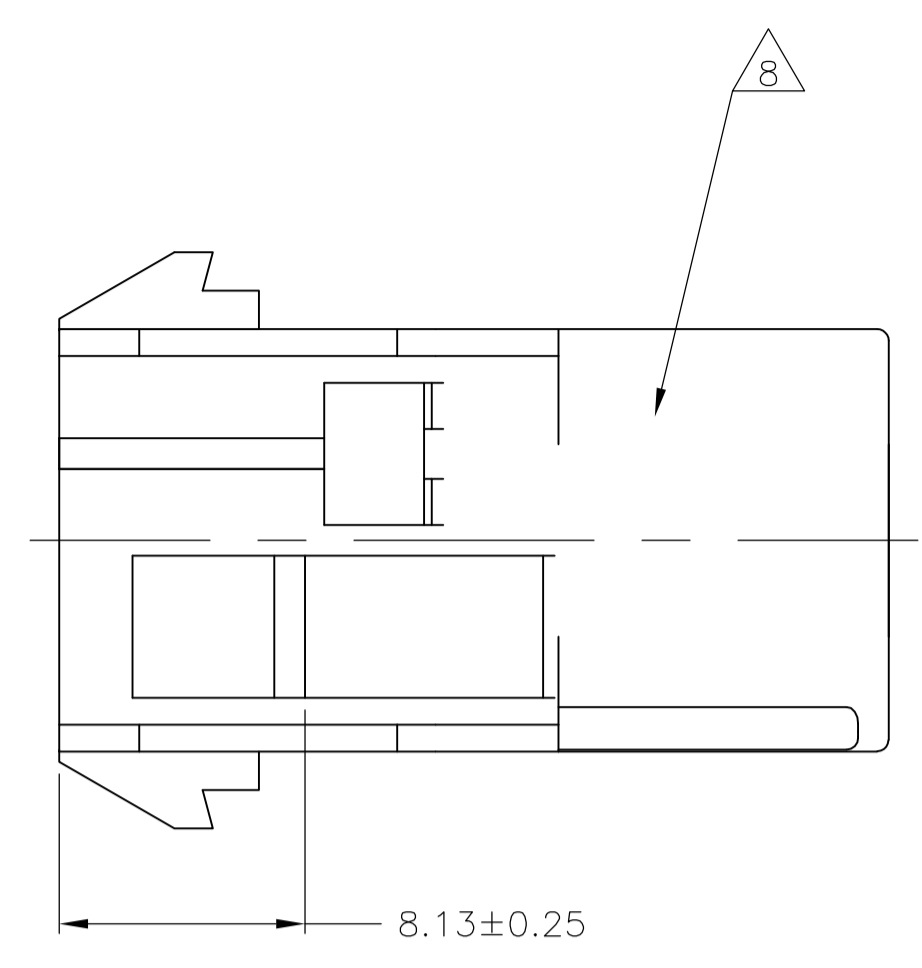
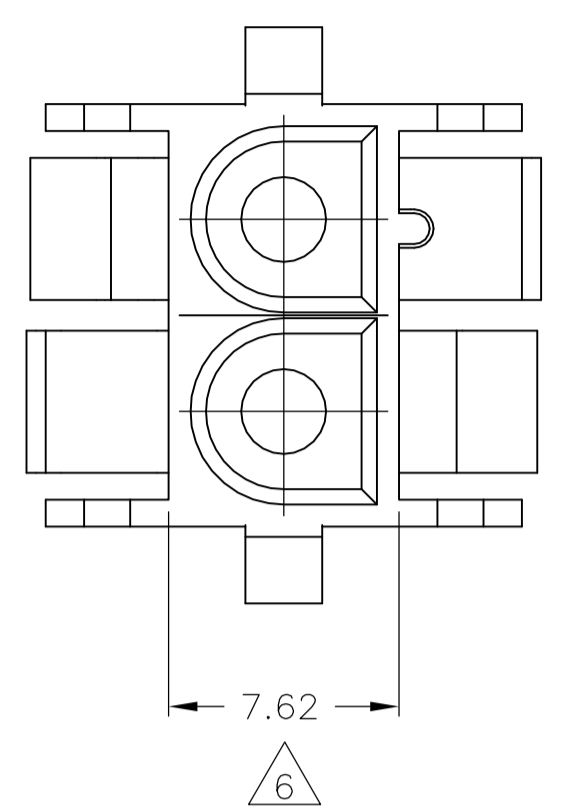
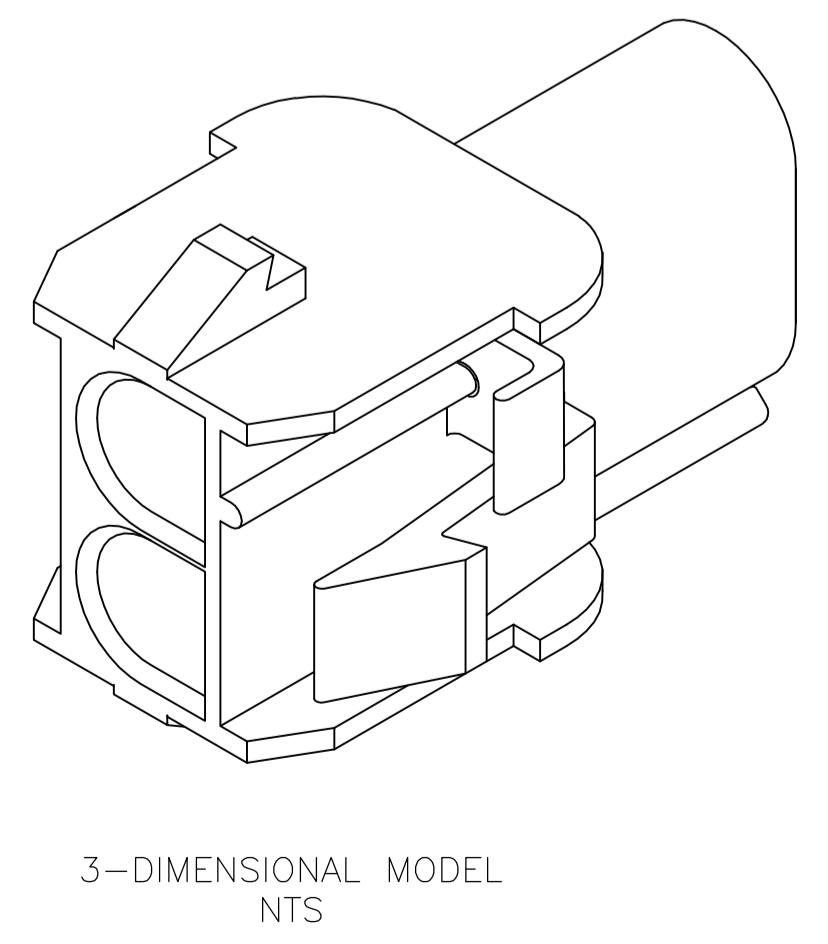
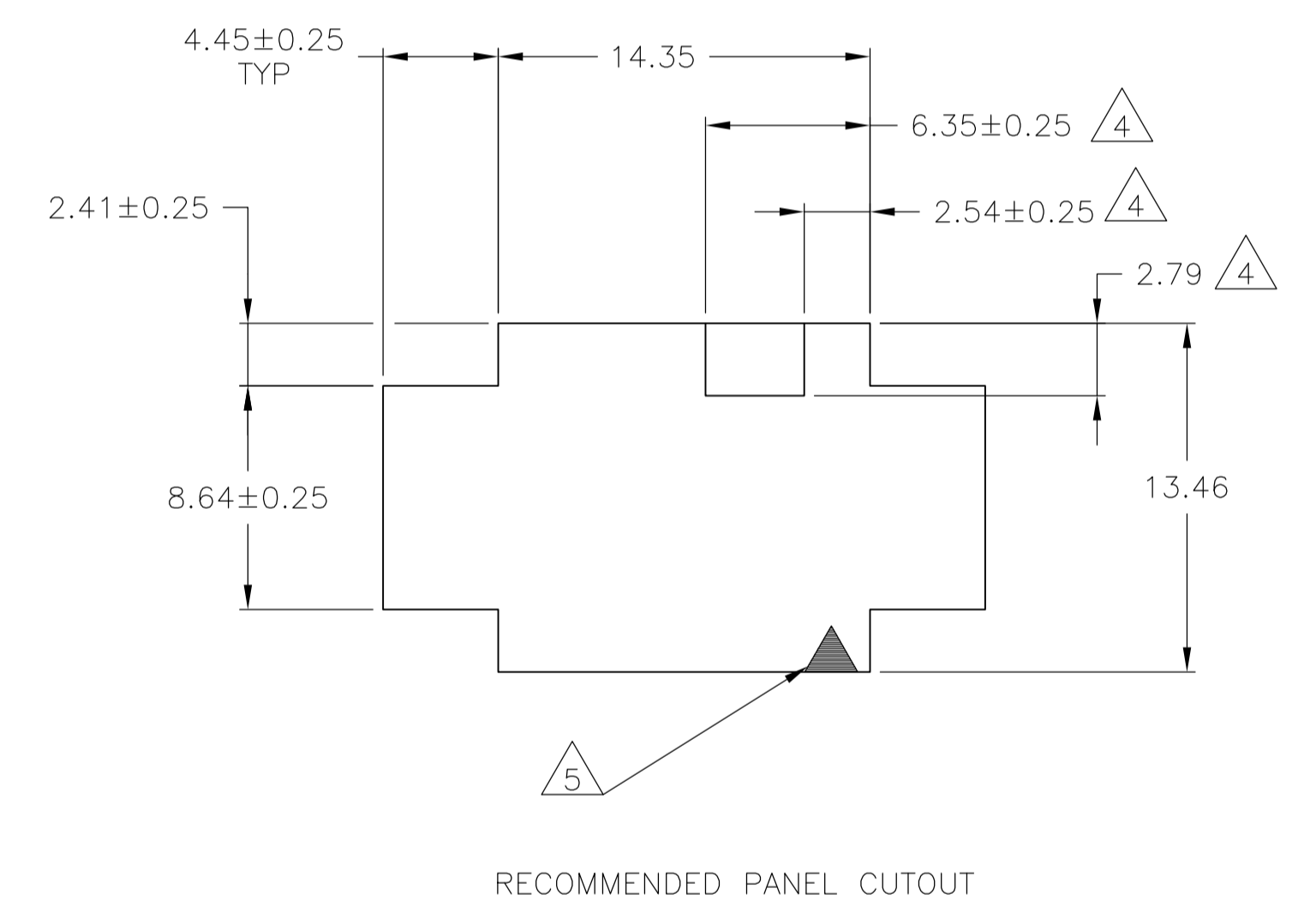
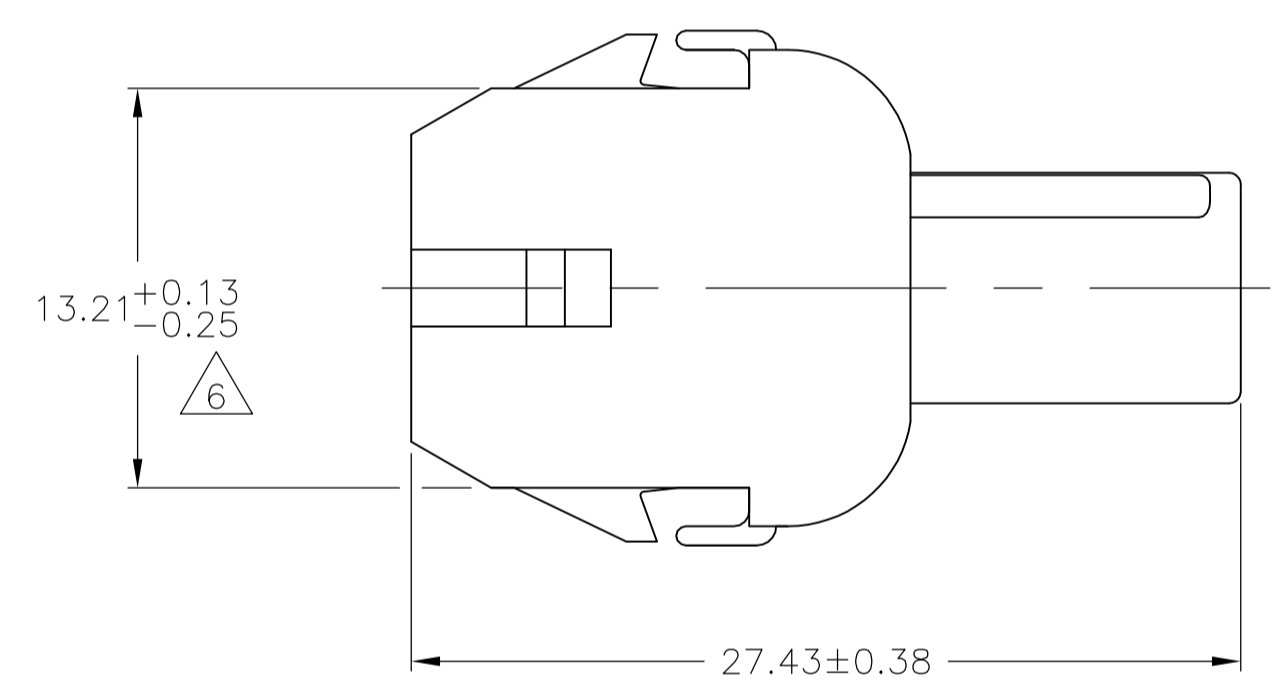
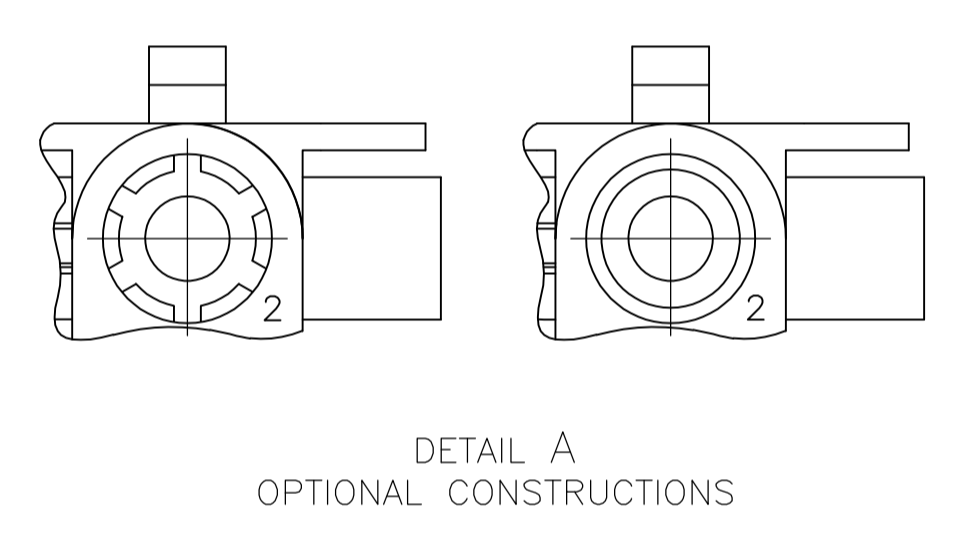


LOC	DIST	REVISIONS			
REV	BY	DATE	DESCRIPTION	DATE	BY
CM	53				
AG		31AUG06	ECO-06-013896		BSV GSR
AG1		07SEP09	CIS STREAMLINING ECO-09-021826		KK AEG



- MATES WITH APPROPRIATE UNIVERSAL MATE-N-LOK™ PLUG.
 - RECOMMENDED PANEL THICKNESS 0.76 - 2.29.
 - PANEL MUST BE PUNCHED SO THAT THE HOUSING ENTERS THE PANEL IN THE SAME DIRECTION AS THE PUNCH.
- △ 4 OPTIONAL FOR KEYING HOUSING IN PANEL.
 △ 5 CIRCUIT NUMBER 1 LOCATION.
 △ 6 DIMENSION INDICATED IS AS MOLDED. ADDITIONAL GROWTH DUE TO SUBSEQUENT MOISTURE ABSORPTION MAY OCCUR.
 △ 7 FOUR RIBS EQUALLY SPACED, NO SPECIFIC ORIENTATION. NO RIBS OR SIX RIBS EQUALLY SPACED, NO SPECIFIC ORIENTATION, OPTIONAL.
 △ 8 UNDERWRITERS RECOGNIZED COMPONENT LOGO AND CSA CERTIFICATION LOGO TO BE LOCATED ONCE EACH ON SIDE OF HOUSING.
 △ 9 OBSOLETE PARTS: OBSOLETE CIS STREAMLINING PER D.RENAUD/D.SINISI



MM	IN	MM	IN
4.45	.175	27.43	1.080
2.79	.110	14.35	.565
2.54	.100	13.97	.550
2.41	.095	13.46	.530
2.29	.090	13.21	.520
0.76	.030	8.64	.340
0.38	.015	8.13	.320
0.25	.010	7.62	.300
0.13	.005	6.35	.250

CONVERSION TABLE

△ 9 SUPERSEDED BY 1-480699-0
 △ 9 OBSOLETE

BLACK	1-480699-9
GREY	1-480699-8
BLUE	1-480699-6
GREEN	1-480699-5
YELLOW	1-480699-4
ORANGE	1-480699-3
RED	1-480699-2
BROWN	1-480699-1
NATURAL	1-480699-0
COLOR	PART NO.

METRIC

THIS DRAWING IS A CONTROLLED DOCUMENT.

DIMENSIONS: mm	TOLERANCES UNLESS OTHERWISE SPECIFIED:	DWG: K. WHITAKER 24JUL92	CHK: R. SWING 24JUL92	APPROVED: D. SELF 27JUL92	NAME: D. SELF	PRODUCT SPEC: --	APPLICATION SPEC: --	SIZE: A1	CAGE CODE: 00779	DRAWING NO: 480699	RESTRICTED TO: --
MATERIAL: NYLON,UL 94V-2		FINISH: --		WEIGHT: --		CUSTOMER DRAWING		SCALE: 4:1	SHEET: 1 of 1	REV: AG1	

tyco Electronics Tyco Electronics Corporation Harrisburg, Pa 17105-3608

CAP,2 CIRCUIT, UNIVERSAL MATE-N-LOK (TM)