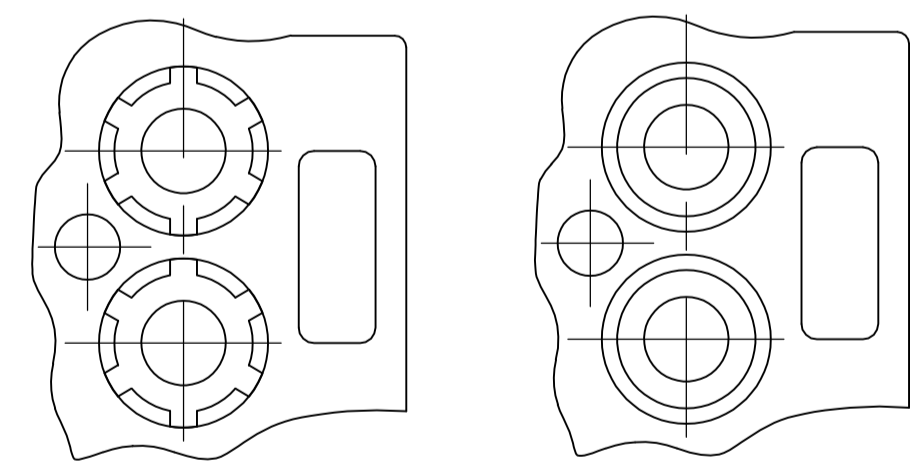
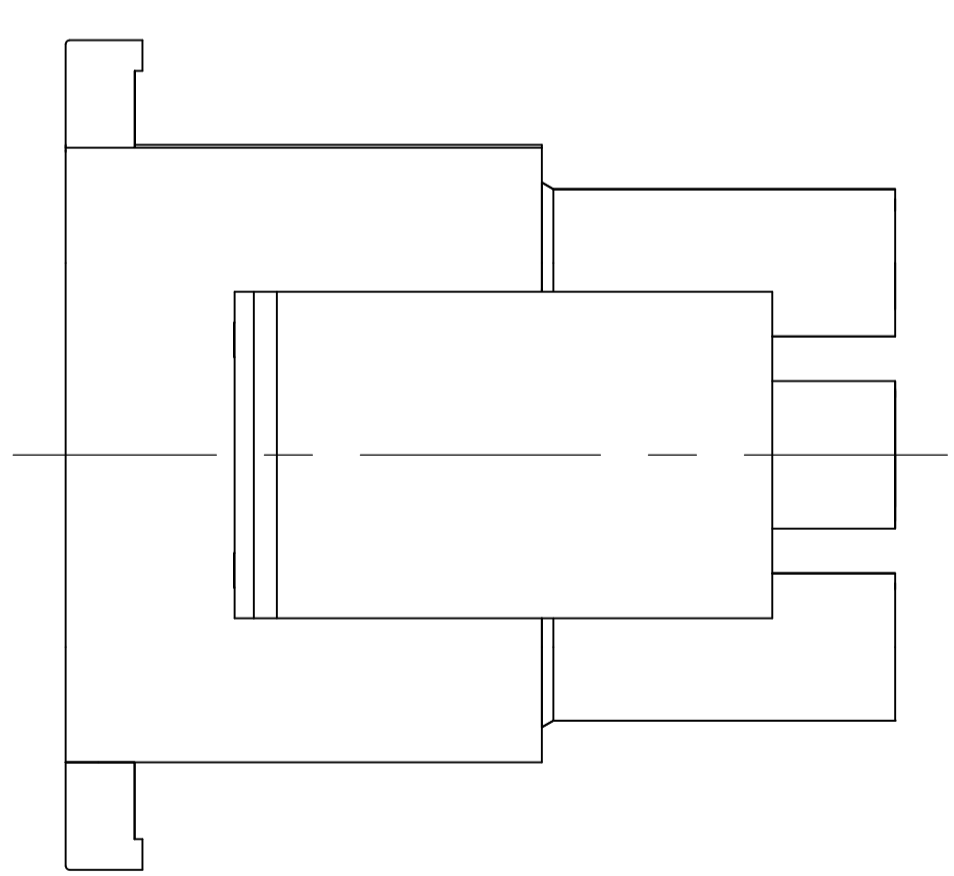
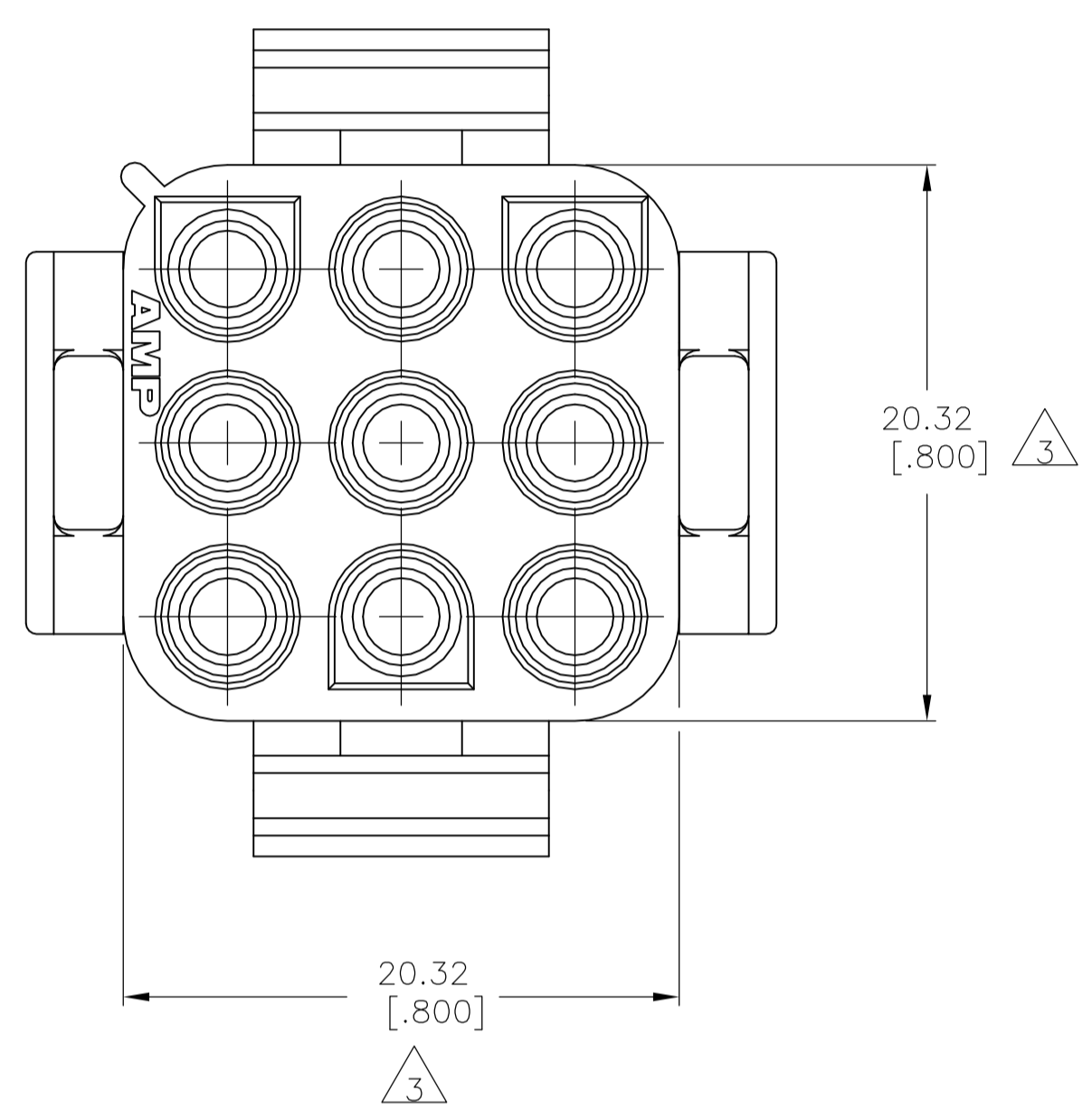
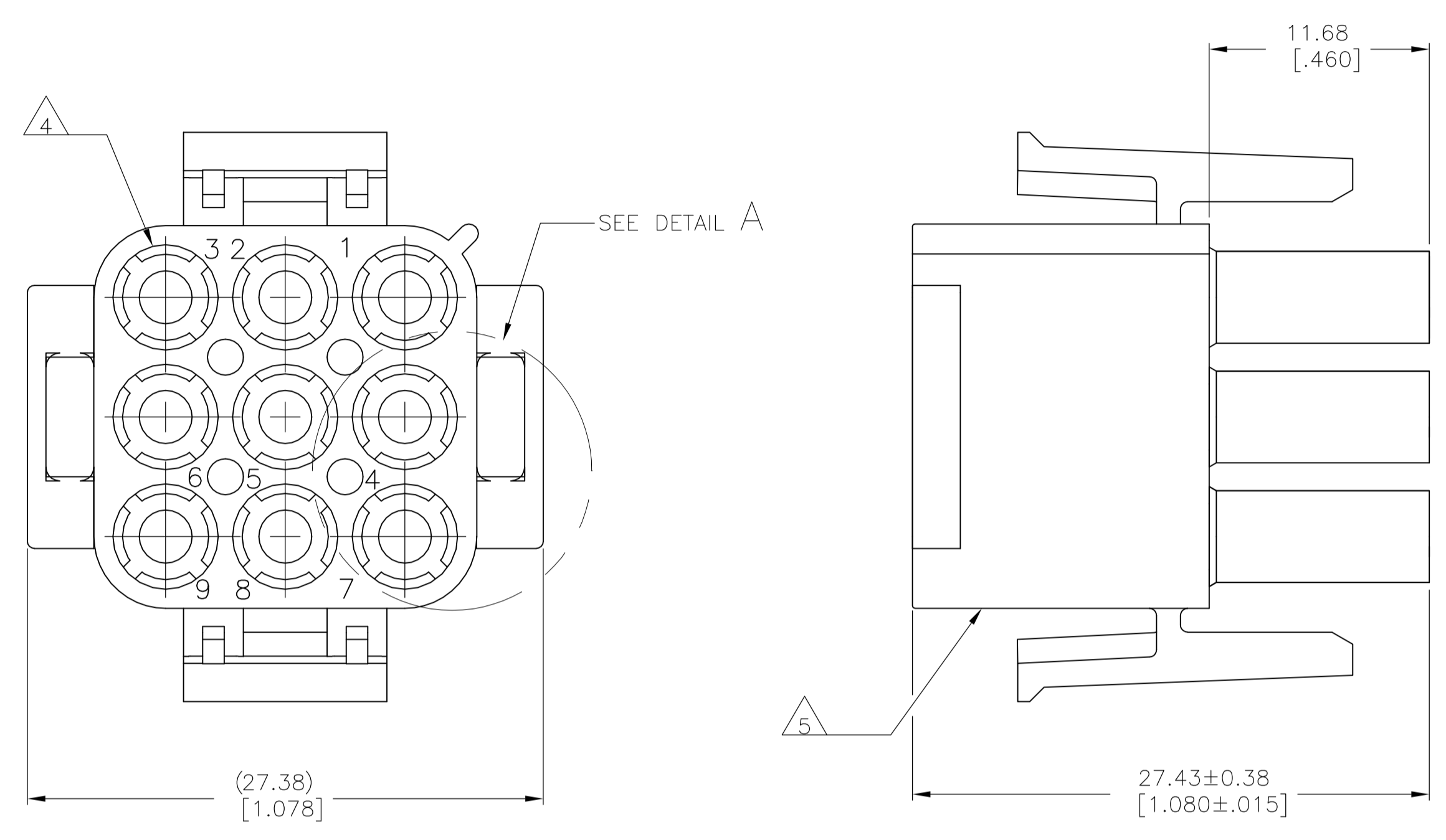


LOC		DIST		REVISIONS			
CM	00	REV	DATE	BY	CHK	APP'D	
AK	ECO-06-013891	01SEP06	BSV	GSR			
AK1	REVISED PER ECO-09-021826	07SEP09	KK	AEG			



DETAIL A
OPTIONAL CONSTRUCTIONS

- MATES WITH APPROPRIATE UNIVERSAL MATE-N-LOK™ CAP OR HEADER.
- SMALL NICKS ARE PERMITTED ON THE CIRCUIT TOWERS WHICH COULD INCREASE THE INITIAL HOUSING MATING FORCE BY UP TO 4.4 NEWTONS [1.0 LBS]. NO INDIVIDUAL NICKED TOWER SHALL INCREASE THIS FORCE BY OVER 2.2 NEWTONS [.5 LBS].

- △3 DIMENSION INDICATED IS AS MOLDED. ADDITIONAL GROWTH DUE TO SUBSEQUENT MOISTURE ABSORPTION MAY OCCUR.
- △4 FOUR RIBS EQUALLY SPACED, NO SPECIFIC ORIENTATION. NO RIBS OR SIX RIBS EQUALLY SPACED, NO SPECIFIC ORIENTATION, OPTIONAL.
- △5 UNDERWRITERS RECOGNIZED COMPONENT LOGO AND CSA CERTIFICATION LOGO TO BE LOCATED ONCE EACH ON SIDE OF HOUSING.
- △6 OBSOLETE PARTS: OBSOLETE CIS STREAMLINING PER D.RENAUD/D.SINISI

COLOR	PART NO.
BLACK	1-480706-9
GRAY	1-480706-8
BLUE	1-480706-6
GREEN	1-480706-5
YELLOW	1-480706-4
ORANGE	1-480706-3
RED	1-480706-2
BROWN	1-480706-1
NATURAL	1-480706-0
	PART NO.

△6 SUPERCEDED BY 1-480706-0

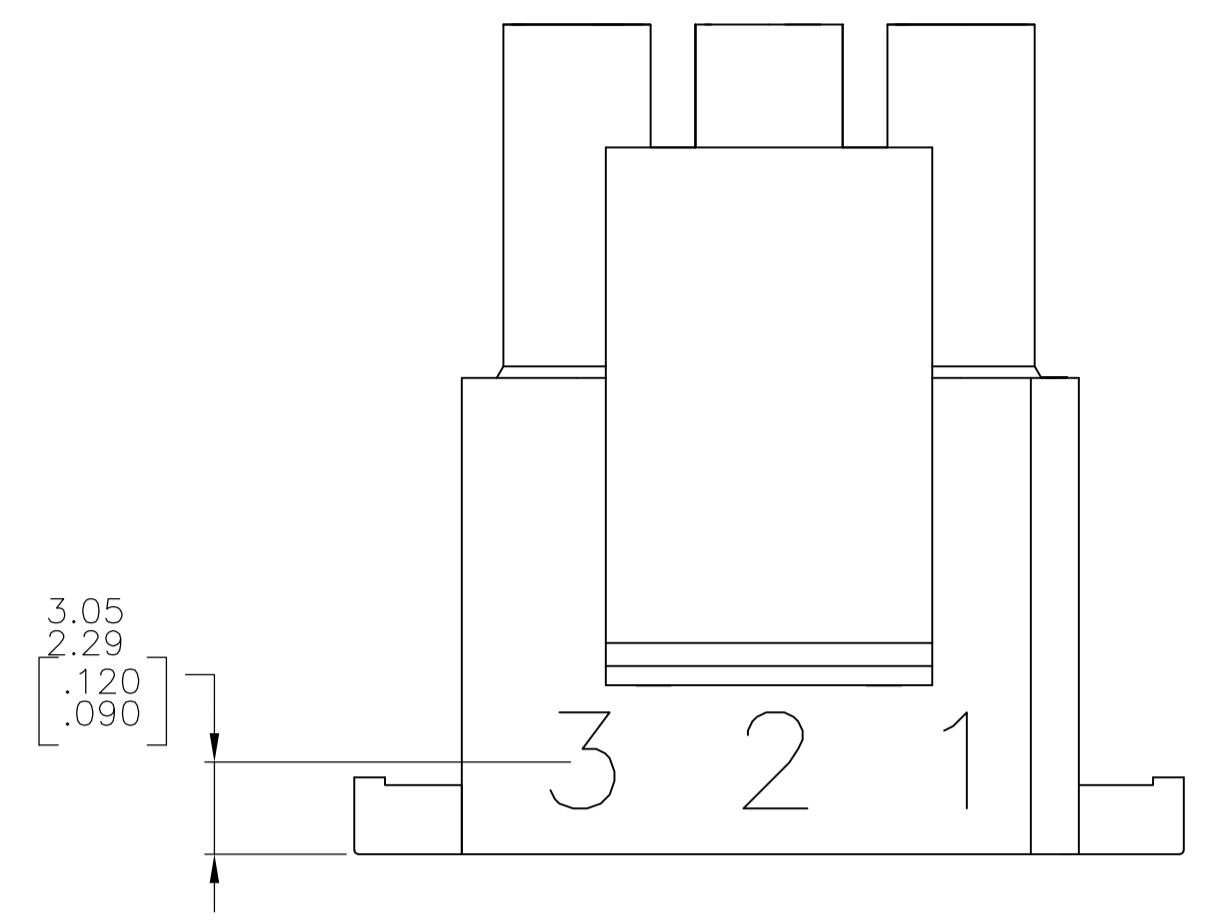
THIS DRAWING IS A CONTROLLED DOCUMENT.

DIMENSIONS: mm [INCHES]	TOLERANCES UNLESS OTHERWISE SPECIFIED:	DWG: K. WHITAKER 01SEP04	Tyco Electronics Corporation Harrisburg, PA 17105-3608
0. PLC ± -	1. PLC ± -	CHK: S. RIDGILL 01SEP04	
2. PLC ± 0.13 [.005]	3. PLC ± -	APP'D: S. RIDGILL 01SEP04	NAME: PLUG, 9 CIRCUIT, UNIVERSAL MATE-N-LOK™
4. PLC ± -	ANGLES ± 0.30°	APPLICATION SPEC	SIZE: A1
MATERIAL: NYLON, UL94V-2	FINISH: -	WEIGHT: -	CAGE CODE: 00779
			DRAWING NO: 480706

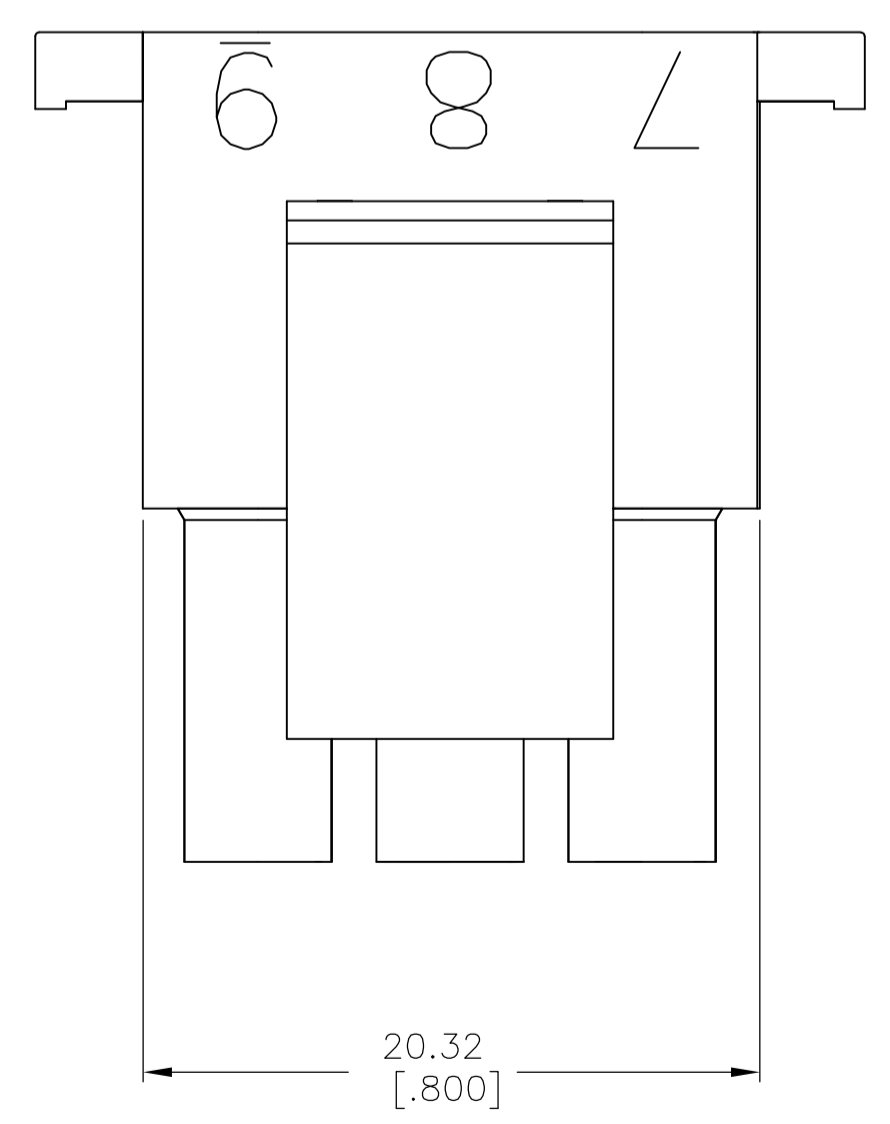
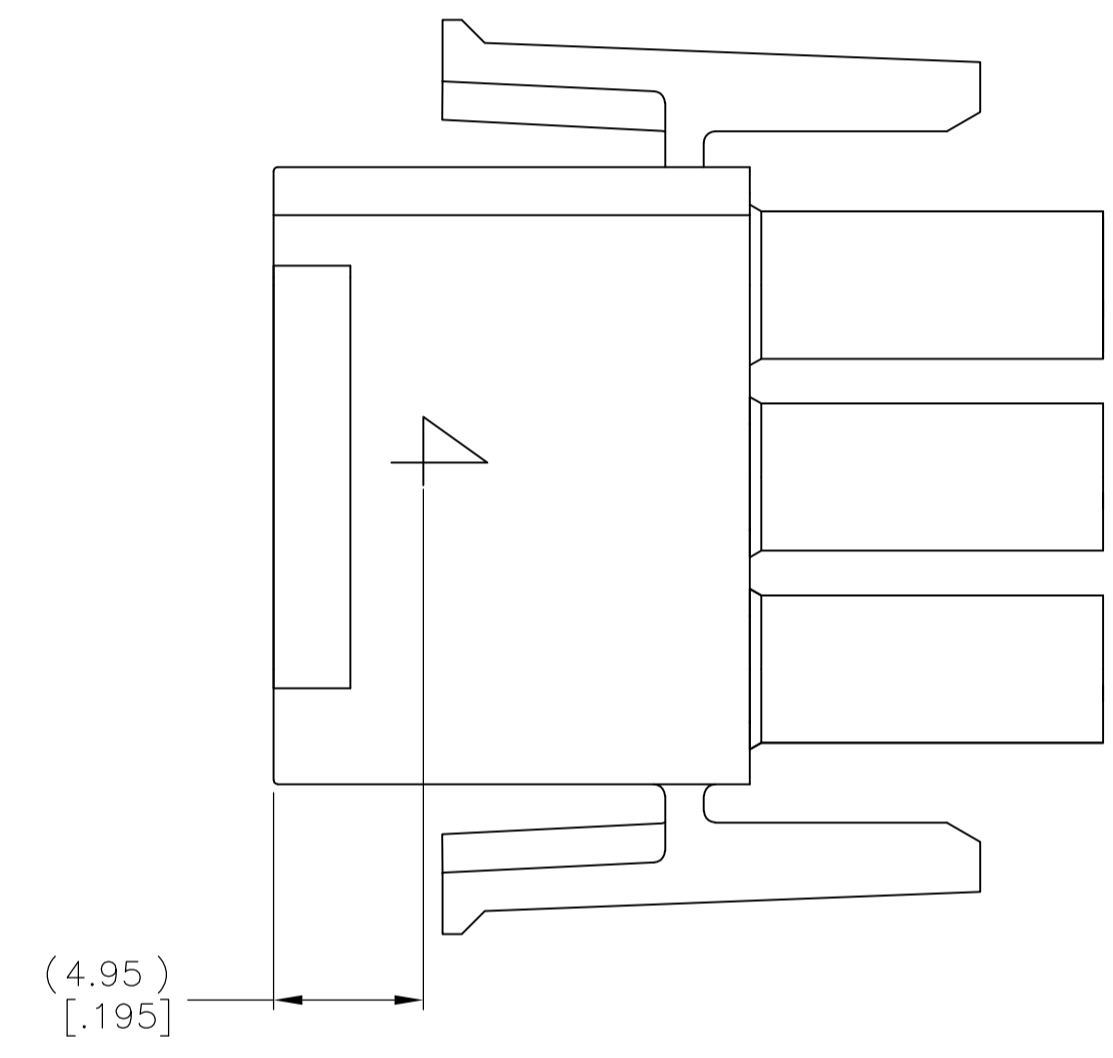
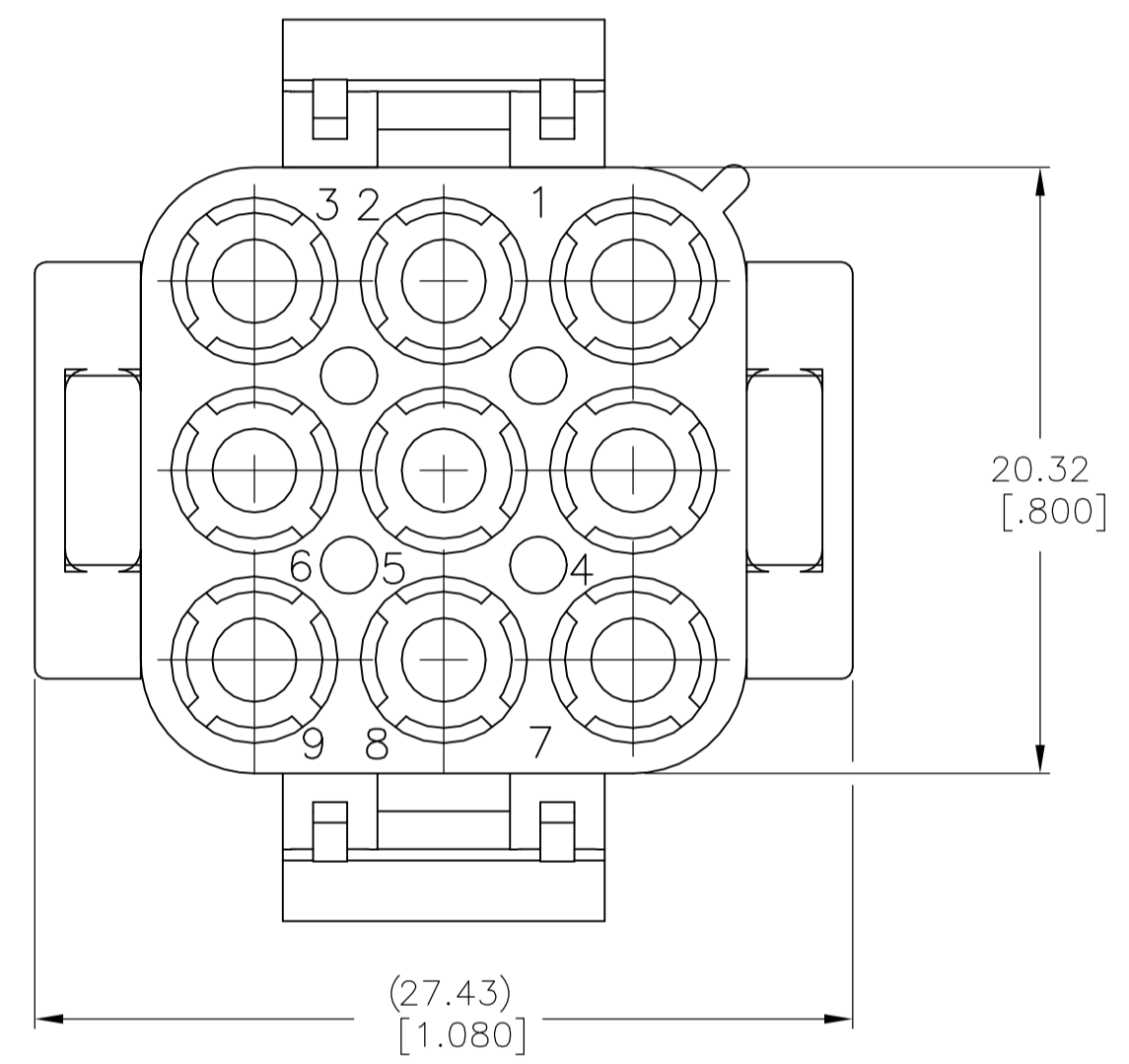
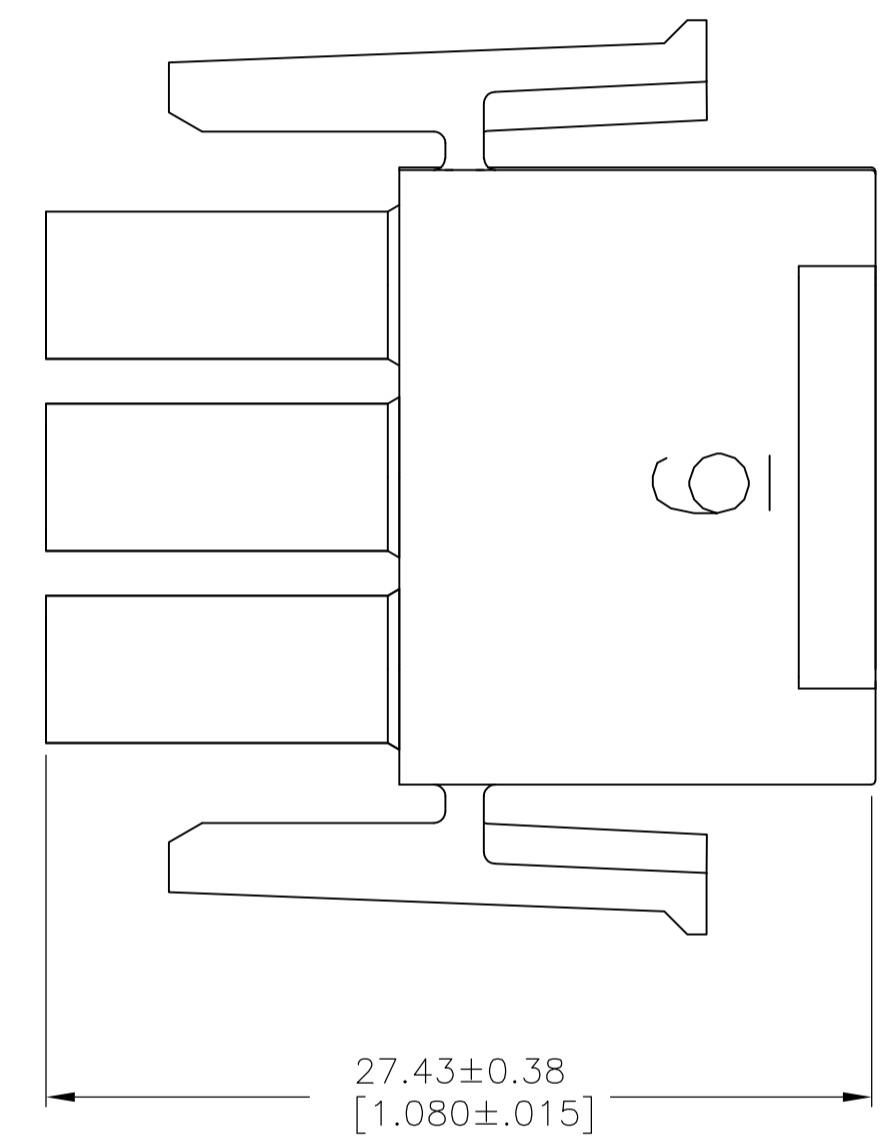
CUSTOMER DRAWING SCALE: 4:1 SHEET 1 OF 2 REV AK1



LOC		DIST		REVISIONS				
P	LTR	DESCRIPTION	DATE	DN	APVD			
CM	00	SEE SHEET-1	-	-	-	-	-	



1. STAMP NUMBERS 3.18 [.125] HIGH AT WIRE END OF HOUSING (12 POINT DAVID TYPE).
2. CHARACTERS TO BE POSITIONED ON HOUSING TO BE READ FROM WIRE END ONLY.
3. VIOLET, BLACK, BROWN, AND BLUE COLORED BLOCKS TO BE STAMPED WITH WHITE CHARACTERS. ALL OTHER COLORED BLOCKS TO BE STAMPED WITH BLACK CHARACTERS.



NATURAL COLOR	2-480706-0 PART NUMBER
---------------	------------------------

THIS DRAWING IS A CONTROLLED DOCUMENT.		DIN K. WHITAKER 01SEP2004		Tyco Electronics Corporation Harrisburg, PA 17105-3608	
DIMENSIONS: mm [INCHES]		CHK S. RIDGILL 01SEP2004		APVD S. RIDGILL 01SEP2004	
TOLERANCES UNLESS OTHERWISE SPECIFIED:		APVD S. RIDGILL 01SEP2004		NAME	
0. PLC ± -	1. PLC ± -	PRODUCT SPEC		PLUG, 9 CIRCUIT, UNIVERSAL MATE-N-LOK	
2. PLC ± 0.13 [.005]	3. PLC ± -	APPLICATION SPEC		SIZE CAGE CODE DRAWING NO	
4. PLC ± -	ANGLES ± 0.30°	WEIGHT		RESTRICTED TO	
MATERIAL -	FINISH -	CUSTOMER DRAWING		SCALE 4:1 SHEET 2 OF 2 REV AK1	

METRIC