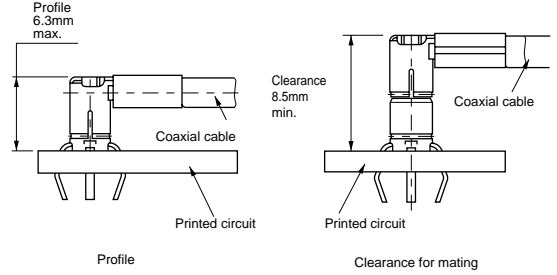
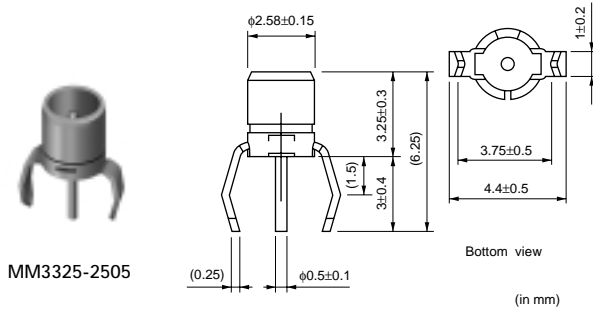
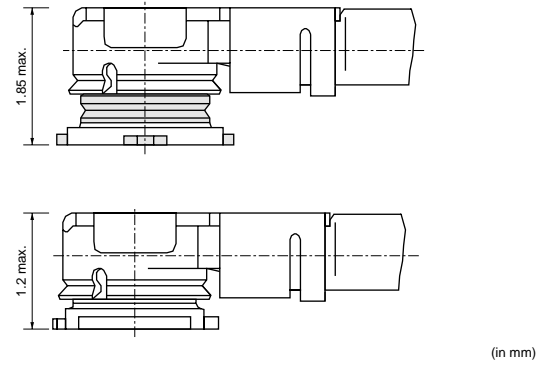
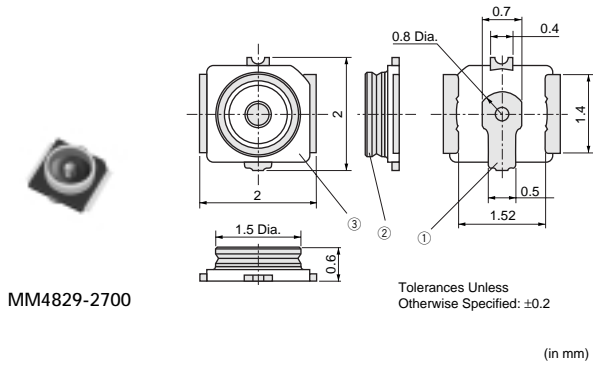


# 同轴接插器

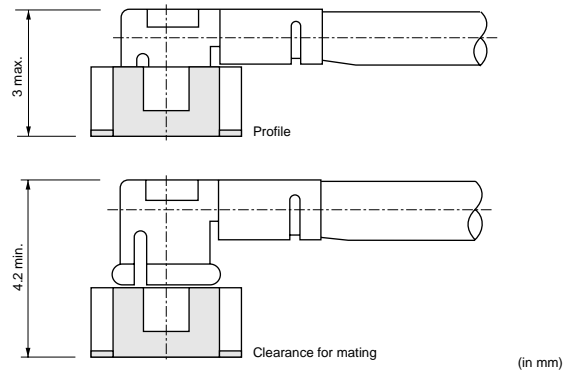
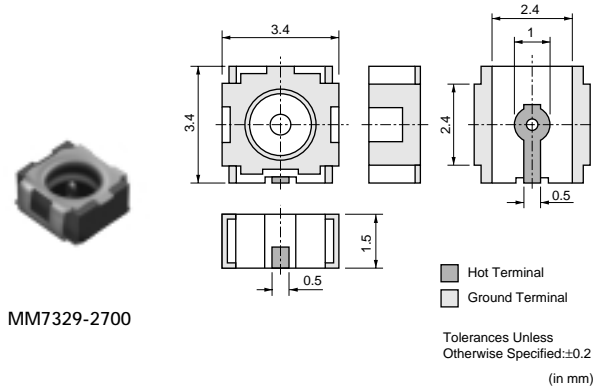
## Dimensions



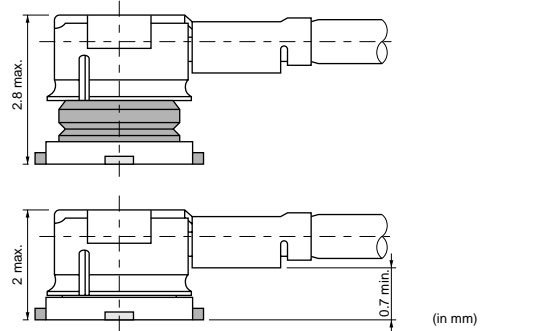
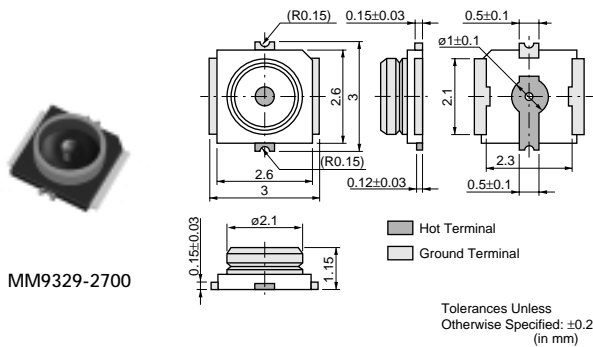
## Dimension



## Dimensions



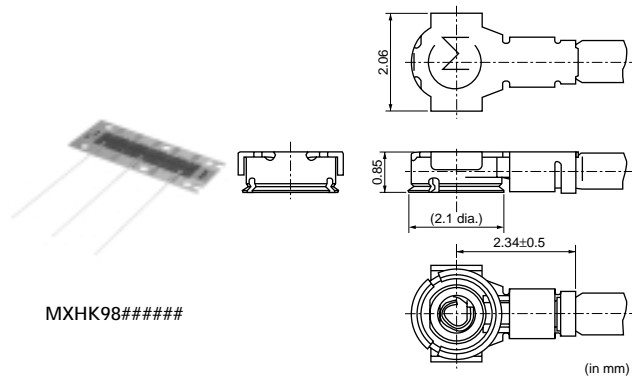
## Dimension



接下页

高频元件 8

☒ 接上页。

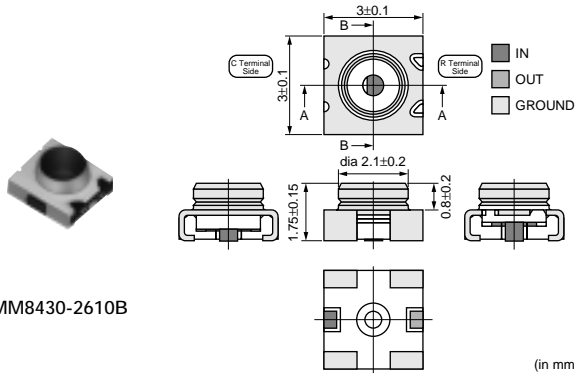


品名	额定电压 (V)	使用频率 (GHz)	温度范围	驻波比
MM3325-2505	250	to 4.0	-40 to +90degree C	1.2 max.
MM3325-2507	250	to 4.0	-40 to +90degree C	1.2 max.
MM3326-2506	250	to 2.0	-40 to +90degree C	1.2 max.
MM4829-2700B	250	to 6.0	-40 to +85degree C	1.3 max. (DC to 3GHz)
MM4829-2700RA4	250	to 6.0	-40 to +85degree C	1.3 max. (DC to 3GHz)
MM4829-2700RB0	250	to 6.0	-40 to +85degree C	1.3 max. (DC to 3GHz)
MM7329-2700B	250	to 3.0	-40 to +90degree C	1.3 max.
MM7329-2700RA1	250	to 3.0	-40 to +90degree C	1.3 max.
MM7329-2700RB4	250	to 3.0	-40 to +90degree C	1.3 max.
MM7329-2702B	250	to 3.0	-40 to +90degree C	1.3 max.
MM7329-2702RAB	250	to 3.0	-40 to +90degree C	1.3 max.
MM7329-2702RB2	250	to 3.0	-40 to +90degree C	1.3 max.
MM9329-2700B	250	to 6.0	-40 to +90degree C	1.2 max. (DC to 3GHz)
MM9329-2700RA1	250	to 6.0	-40 to +90degree C	1.2 max. (DC to 3GHz)
MM9329-2700RB5	250	to 6.0	-40 to +90degree C	1.2 max. (DC to 3GHz)
MXFG76 TYPE	250	to 3.0	-40 to +90degree C	1.3 max.
MXFK81 TYPE	250	to 3.0	-40 to +90degree C	1.3 max.
MXHK98 TYPE	250	to 6.0	-40 to +85degree C	1.3 max.(DC to 3GHz)
MXTK88 TYPE	250	to 6.0	-40 to +90degree C	1.2 max.(DC to 3GHz)
MXTK92 TYPE	250	to 6.0	-40 to +90degree C	1.2 max.(DC to 3GHz)
MXYH62 TYPE	250	to 4.0	-40 to +90degree C	1.2 max.
MXYH63 TYPE	250	to 4.0	-40 to +90degree C	1.2 max.
MXYH75 TYPE	250	to 4.0	-40 to +90degree C	1.2 max.

阻抗值: 50ohm

△注 · 本PDF产品目录是从株式会社村田制作所网站中下载的。规格若有变更，或若其中产品停产，恕不另行通知。请在订购之前向我公司销售代表或产品工程师查询。  
· 本PDF产品目录所记载的产品规格，因受篇幅的限制，只提供了主要产品资料。在您订购前，必须确认规格表内容，或者互换协商定案图。

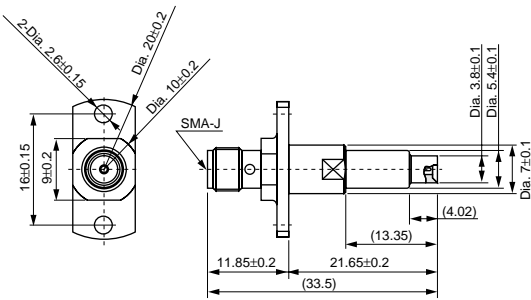
附开关同轴接插器



MM8430-2610B

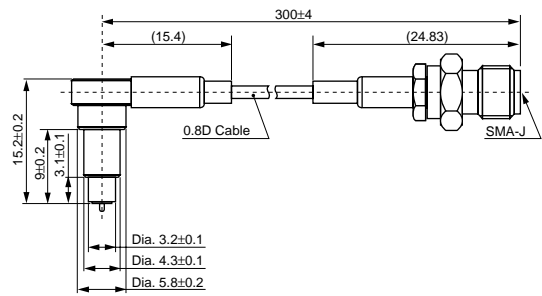
(in mm)

Measurement Probe (P/N:MM126036)



(in mm)

Measurement Probe (P/N:MXGS83RK3000)



(in mm)

高频元件

8

品名	额定电压 (Vrms)	使用频率 (GHz)	温度范围	驻波比
MM8430-2610B	250	to 6	-40 to +85degree C	1.2 max.(DC to 3GHz)
MM8430-2610RA1	250	to 6	-40 to +85degree C	1.2 max.(DC to 3GHz)
MM8430-2610RB3	250	to 6	-40 to +85degree C	1.2 max.(DC to 3GHz)

阻抗值: 50ohm