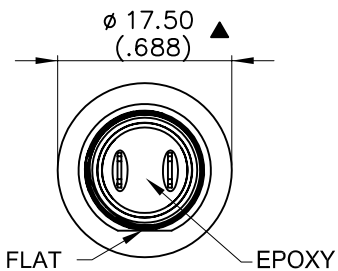


Model No.	POS.1	POS.2
PAS6	OFF	MOM
Term. Comm.	OPEN	SHORT
SCHEMATIC		

SWITCH FUNCTION



**SPECIFICATIONS**

**Max. current/voltage rating with resistive load:**  
400mA 32VAC - 100 mA 50VDC - 125 mA 125VAC.  
**INITIAL CONTACT RESISTANCE:** 50 mΩ max.  
**INSULATION RESISTANCE:** 1 GΩ min. at 500VDC.  
**DIELECTRIC STRENGTH:** 1,000 VAC rms.  
**ELECTRICAL LIFE AT FULL LOAD:** 500,000 cycles.  
**PANEL THICKNESS:**  
 B1 Series: 0.8 mm (.031) min. - 1.8 mm (.071) max.  
 B2 Series: 1.5 mm (.059) min. - 4 mm (.157) max.  
**TOTAL TRAVEL:** 1.5 mm (.059).  
**OPERATING FORCE:** 2N~5N.  
**CONTACT BOUNCE:** 10 ms.  
**MECHANICAL LIFE:** 1,000,000 cycles.  
**TORQUE:** 0.5 Nm max. applied to nut.  
**SOLDERING:** 350°C max. for 5 seconds.

**MATERIALS**

**CASE:** Diallyl phthalate (DAP)(UL94v-0). (A)  
**CAP:** Polyamide 6/6.  
**BUSHING:** Polyamide 6/6.  
**TERMINAL/CONTACTS:** Gold over silver plated.  
**RoHS:** 2002/95/EC

	PART NO.	PART NAME	Q'TY
1	MNU- PA03	M12x0.75 SI NUTS	1
2	MNU-1M09	LOCKING WASHER	1
3	MSU- PA01	RUBBER WASHER	1

FILE NAME:HARDWARE-0011

X=CAP COLOR	
1	White
2	Black
3	Red
4	Orange
5	Yellow
6	Green
7	Blue

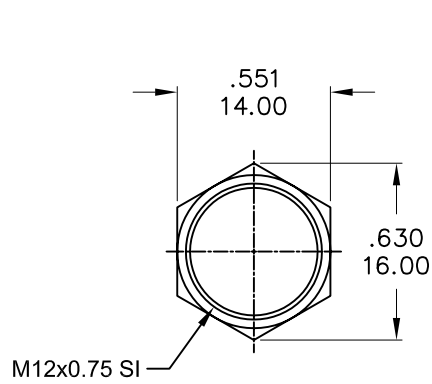
<b>东莞市棠诚电子有限公司</b>					
TITLE 圖名	Sub - Miniature Pushbutton Switches			SIZE 圖紙	A4
DWG NO. 圖號	D防水防尘按钮开关			UNIT 單位	inch mm
REV. 版本	D	DATE 日期	JAN - 04 - 2008	SHEET 張	1 of 1
CHECKED BY 審核	RICHARD		DRAWN BY 製圖	ODA	

	符號	原尺寸	修改後尺寸	變更日期
1	(A)		參照ECN97003	FEB - 26 - 2008
2	(B)	1.5Nm max.	0.5Nm max.	FEB - 06 - 2009
3	(C)		參照ECN0912	MAY - 05 - 2009
4	(D)			
5	(E)			

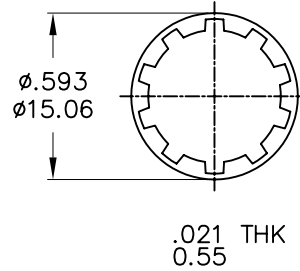
**SCALE (比例): 3 : 2**

**TOLERANCE (公差):**  
 0.00 mm ± 0.25mm  
 0.0 mm ± 0.40mm  
**ANGULAR : ± 5°**

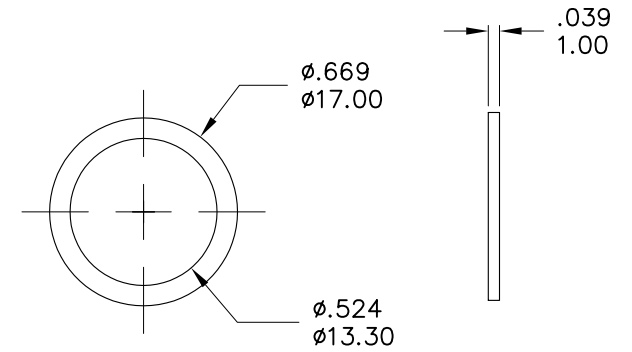
**FILE NAME : PASP0013**



Ⓐ MNU-PA03



MNU-1M09



MSU- PA01

	PART NO.	PART NAME	Q'TY
1	MNU- PA03	M12x0.75 SI NUTS	1
2	MNU-1M09	LOCKING WASHER	1
3	MSU- PA01	RUBBER WASHER	1

# 东莞某诚电子有限公司

符號	原尺寸	修改後尺寸	變更日期	SCALE (比例): 3:2	TITLE 圖名	HARDWARE		SIZE 圖紙	A4		
1	Ⓐ	MNU- PA01	MNU- PA03	APR-16-2009	TOLERANCE (公差): 0.00 mm ± 0.25mm 0.0 mm ± 0.40mm ANGULAR : ± 5° FILE NAME : HARDWARE-0011	DWG NO. 圖號	M12XPA		UNIT 單位	inch mm	
2	Ⓑ					REV. 版本	B	DATE 日期	MAY- 21 - 2008	SHEET 張數	1 of 1
3	Ⓒ					CHECKED BY 審核	RICHARD		DRAWN BY 製圖	FION	
4	Ⓓ										
5	Ⓔ										