

Panel cut-out

SPECIFICATIONS

Max. current/voltage rating with resistive load:
100mA 24VDC
INITIAL CONTACT RESISTANCE: 50 mΩ max.
INSULATION RESISTANCE: 1 GΩ min. at 500VDC.
DIELECTRIC STRENGTH: 1,000 VAC rms.
ELECTRICAL LIFE AT FULL LOAD: 200,000 cycles.
PANEL THICKNESS: 1.5 mm (.059) min. -4 mm (.157) max.
TOTAL TRAVEL: 2.5 mm (.098).
OPERATING FORCE: 2N~5N.
CONTACT BOUNCE: 10 ms.
TORQUE: 0.5 Nm max. applied to nut.
SOLDERING: 350°C max. for 5 seconds.

MATERIALS

CASE: Glass filled Nylon 6/6(UL94v-0).
CAP: Polyamide 6/6.
BUSHING: Polyamide 6/6.
TERMINAL/CONTACTS: Gold over silver plated.
RoHS:2002/95/EC

Model No.	POS.1	POS.2
PAL6	OFF	ON
Term. Comm.	OPEN	1-3
SCHEMATIC		

SWITCH FUNCTION

PART NO.	PART NAME	Q'TY	
1	MNU- PA03	M12 X 0.75 NUTS	1
2	MNU-1M09	LOCKING WASHER	1
3	MCP-P005	SPLASH PROOF O-RING	1

FILE NAME:HARDWARE-0012

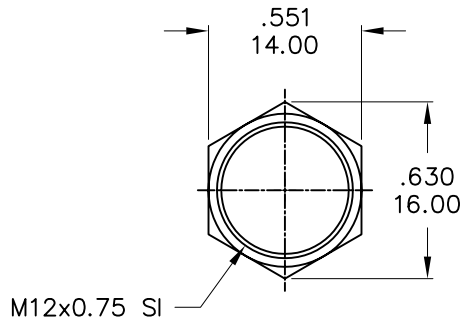
CASX-5

X=CAP COLOR

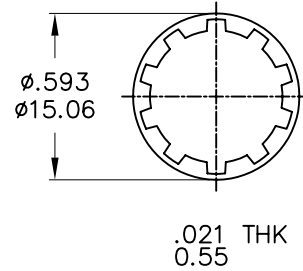
1	White
2	Black
3	Red
4	Orange
5	Yellow
6	Green
7	Blue
8	Brown
9	Gray

东莞市棠诚电子有限公司
DongGuan Double Credit Co.,Ltd.

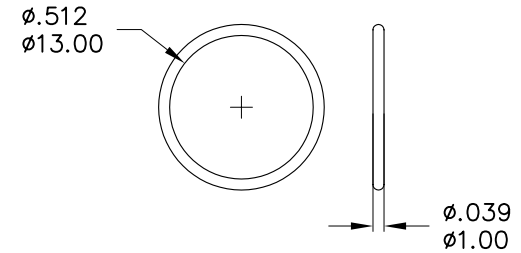
符號	原尺寸	修改後尺寸	變更日期	SCALE (比例): 3:2	TITLE 圖名	Sub - Miniature Pushbutton Switches	SIZE 圖紙	A4		
1	(A)			TOLERANCE (公差): 0.00 mm ± 0.25mm 0.0 mm ± 0.40mm ANGULAR : ± 5° FILE NAME : PASP0149	DWG NO. 圖號	IP67防水防尘按钮开关(高)	UNIT 單位	inch mm		
2	(B)				REV. 版本	A	DATE 日期	MAR - 08 - 2010	SHEET 張數	1 of 1
3	(C)				CHECKED BY 審核	RICHARD		DRAWN BY 製圖	IRENE	
4	(D)									
5	(E)									



Ⓐ MNU-PA03



MNU-1M09



MCP-P005

	PART NO.	PART NAME	Q'TY
1	MNU- PA03	M12 X 0.75 NUTS	1
2	MNU-1M09	LOCKING WASHER	1
3	MCP-P005	SPLASH PROOF O-RING	1

 **东莞市棠诚电子有限公司**
DongGuan Double Credit Co.,Ltd.

符號	原尺寸	修改後尺寸	變更日期	SCALE (比例): 3:2	TITLE 圖名	HARDWARE		SIZE 圖紙	A4		
1	Ⓐ	MNU-PA01	MNU-PA03	NOV-24-2009	TOLERANCE (公差): 0.00 mm ± 0.25mm 0.0 mm ± 0.40mm ANGULAR : ± 5° FILE NAME : HARDWARE-0012	DWG NO. 圖號	M12X0.75 BUSHING PART		UNIT 單位	inch mm	
2	Ⓑ					REV. 版本	B	DATE 日期	MAY - 21 - 2008	SHEET 張數	1 of 1
3	Ⓒ					CHECKED BY 審核	RICHARD		DRAWN BY 製圖	FION	
4	Ⓓ										
5	Ⓔ										