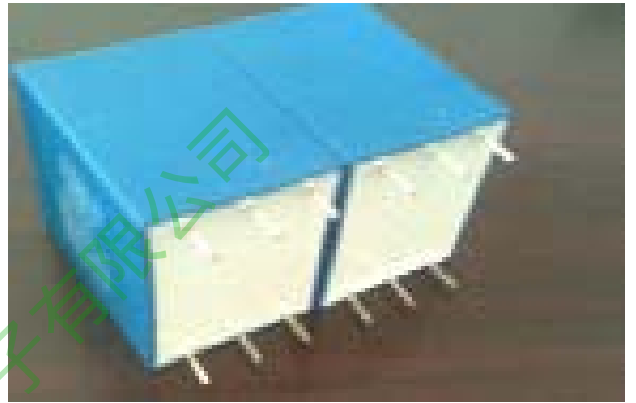


DAWN capacitors

DAWN-DTC SERIES

高频高压工业电磁炉谐振电容器

用于：感应加热设备(工业类电磁炉)
以及高压电源等其它电力电子设备做谐振用。



产品应用：

主要用于感应加热设备(工业类电磁炉)以及高压电源等其它电力电子设备做谐振用。

引用标准：

符合IEC60110-1 GBT3984.1-2004 CGE企业标准

电容器特点

参考标准:符合IEC60110-1 GBT3984.1-2004 CGE企业标准

- 无感型结构
- 电容器干式结构技术
- 介质材料:双面聚丙烯(PP)膜,特殊喷金工艺
- 较低的等效串联电阻
- 较低的等效串联电感
- 较高的纹波电流承受能力
- 密封用阻燃环气树脂填充
- 2-6 Pin引线,PCB安装

技术参数：

额定电压:Un 700~3000VDC

容量范围: 0.047UF~5.6UF

容量误差: ±5% (J) ±10% (K)

工作温度: -40~+85℃

耐电压: 2.0Ur (DC)测试条件 10s, t25±5℃, 1Min



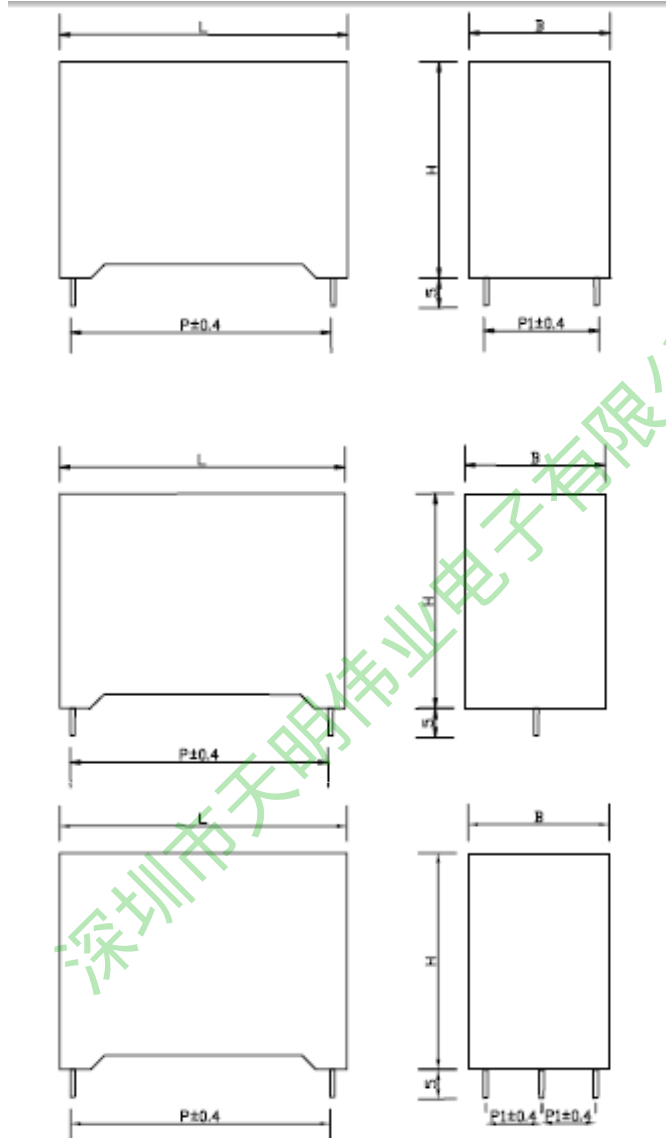
www.dawn-cap.com www.dawn-cap.cn

高频高压电力电子电容器供应商

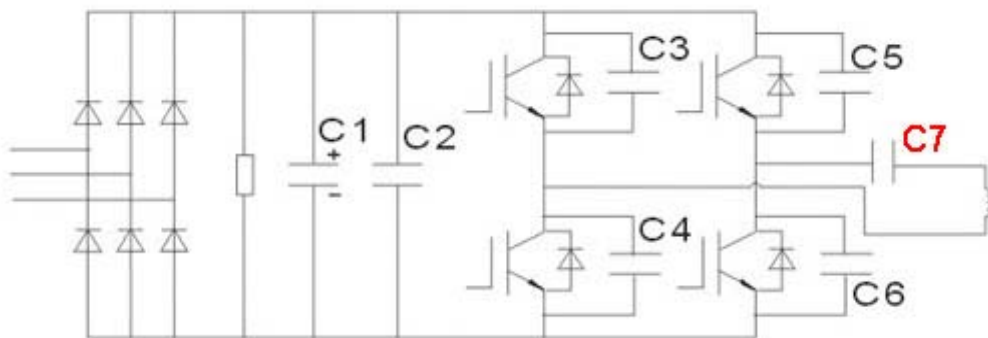


HV-HF Resonant
MKP-DTC-Capacitor

外形规格图 Outline Drawing (盒式为例)



应用电路图:





HV-HF Resonant
MKP-DTC-Capacitor

Part Number	Cap (μF)	Dimension (mm)						Du/dt (v/μs)	Ipeak (A)	Irms (A)	ESR (mΩ)
		L	B	H	P	P1	d				
Ur 700Vdc, Urms 380Vac, Upk 1000Vdc											
DTC-700-0.10-2	0.1	26.5	8.5	17	22.5		0.8	600	60	3.6	13
DTC-700-0.15-2	0.15	26.5	10	18.5	22.5		0.8	600	90	5	9.3
DTC-700-0.22-2	0.22	26.5	11	20	22.5		0.8	600	132	6.5	7
DTC-700-0.22-2	0.22	31	11	20	27.5		1	485	107	6.5	7.8
DTC-700-0.33-2	0.33	31	13	22	27.5		1	485	160	8.5	5.9
DTC-700-0.47-2	0.47	31	15	24.5	27.5		1	485	228	9	4.6
DTC-700-0.68-2	0.68	31	17	28	27.5		1.2	485	330	12	3.7
DTC-700-0.82-2	0.82	31	18	33	27.5		1.2	485	398	12	3.2
DTC-700-0.82-2	0.82	42.5	15	26	37.5		1.2	325	267	12	3.4
DTC-700-1.0-2	1	42.5	17	28	37.5		1.2	325	325	12	3.3
DTC-700-1.5-2	1.5	42.5	22	30	37.5		1.2	325	488	12	3.2
DTC-700-1.5-4	1.5	42.5	22	30	37.5	10.2	1.2	325	488	19	3.4
DTC-700-2.0-2	2	42.5	28	37	37.5		1.2	325	650	12	3
DTC-700-2.0-4	2	42.5	28	37	37.5	10.2	1.2	325	650	22	2.9
DTC-700-2.2-2	2.2	42.5	28	37	37.5		1.2	325	715	12	2.8
DTC-700-2.2-4	2.2	42.5	28	37	37.5	20.3	1.2	325	715	22	2.5
DTC-700-3.0-2	3	42.5	35	45	37.5		1.2	325	975	12	2.6
DTC-700-3.0-4	3	42.5	35	45	37.5	20.3	1.2	325	975	22	2.4
DTC-700-3.0-6	3	42.5	35	45	37.5	10.2	1.2	325	975	27	2.2
DTC-700-3.3-2	3.3	42.5	35	45	37.5		1.2	325	1073	12	2.5
DTC-700-3.3-4	3.3	42.5	35	45	37.5	20.3	1.2	325	1073	22	2.4
DTC-700-3.3-6	3.3	42.5	35	45	37.5	10.2	1.2	325	1073	27	2.1
DTC-700-4.0-2	4	42.5	35	45	37.5		1.2	325	1300	12	2.1
DTC-700-4.0-4	4	42.5	35	45	37.5	20.3	1.2	325	1300	22	2
DTC-700-4.0-6	4	42.5	35	45	37.5	10.2	1.2	325	1300	27	1.9
DTC-700-4.7-2	4.7	57.5	30	45	52.5		1.2	200	940	12	3
DTC-700-4.7-4	4.7	57.5	30	45	52.5	20.3	1.2	200	940	22	2.8
DTC-700-4.7-6	4.7	57.5	30	45	52.5	10.2	1.2	200	940	31	2.6
DTC-700-5.0-2	5	57.5	30	45	52.5		1.2	200	1000	12	2.9
DTC-700-5.0-4	5	57.5	30	45	52.5	20.3	1.2	200	1000	22	2.7
DTC-700-5.0-6	5	57.5	30	45	52.5	10.2	1.2	200	1000	31	2.6



HV-HF Resonant
MKP-DHC-Capacitor

Part Number	Cap (μF)	Dimension (mm)				P1	d	Du/dt (v/ μs)	Ipeak (A)	Irms (A)	ESR (m Ω)
		L	B	H	P						
DTC-700-5.6-2	5.6	57.5	35	50	52.5		1.2	200	1120	12	2.7
DTC-700-5.6-4	5.6	57.5	35	50	52.5	20.3	1.2	200	1120	22	2.5
DTC-700-5.6-6	5.6	57.5	35	50	52.5	10.2	1.2	200	1120	31	2.4
DTC-700-6.8-2	6.8	57.5	35	50	52.5		1.2	200	1360	12	2.6
DTC-700-6.8-4	6.8	57.5	35	50	52.5	20.3	1.2	200	1360	22	2.4
DTC-700-6.8-6	6.8	57.5	35	50	52.5	10.2	1.2	200	1360	32	2.2
Ur 850Vdc, Urms 450Vac, Upk 1200Vdc											
DTC-850-0.068-2	0.068	26.5	8.5	17	22.5		0.8	850	58	3.5	13.9
DTC-850-0.10-2	0.1	26.5	10	18.5	22.5		0.8	850	85	4.5	10.4
DTC-850-0.15-2	0.15	26.5	11	20	22.5		0.8	850	127	6.5	7.5
DTC-850-0.15-2	0.15	31	11	20	27.5		0.8	700	105	6.5	8.6
DTC-850-0.22-2	0.22	31	13	22	27.5		1	700	154	8	6.4
DTC-850-0.33-2	0.33	31	15	24.5	27.5		1	700	231	9	4.8
DTC-850-0.47-2	0.47	31	18	33	27.5		1.2	700	329	12	3.9
DTC-850-0.56-4	0.56	31	18	33	27.5		1.2	700	392	12	3.7
DTC-850-0.56-2	0.56	42.5	15	26	37.5		1.2	400	224	12	3.8
DTC-850-0.68-4	0.68	42.5	17	28	37.5		1.2	400	272	12	3.6
DTC-850-1.0-2	1	42.5	22	30	37.5		1.2	400	400	12	3.3
DTC-850-1.0-4	1	42.5	22	30	37.5	10.2	1.2	400	400	21	2.7
DTC-850-1.5-2	1.5	42.5	28	37	37.5		1.2	400	600	12	2.8
DTC-850-1.5-4	1.5	42.5	28	37	37.5	20.3	1.2	400	600	22	2.2
DTC-850-2.0-2	2	42.5	35	45	37.5		1.2	400	800	12	2.5
DTC-850-2.0-4	2	42.5	35	45	37.5	20.3	1.2	400	800	22	1.9
DTC-850-2.0-6	2	42.5	35	45	37.5	10.2	1.2	400	800	26	1.9
DTC-850-2.2-2	2.2	42.5	35	45	37.5		1.2	400	880	12	2.5
DTC-850-2.2-4	2.2	42.5	35	45	37.5	20.3	1.2	400	880	22	1.9
DTC-850-2.2-6	2.2	42.5	35	45	37.5	10.2	1.2	400	880	27	1.9
DTC-850-2.5-2	2.5	57.5	30	45	52.5		1.2	275	687	12	2.9
DTC-850-2.5-4	2.5	57.5	30	45	52.5	20.3	1.2	275	687	22	2.3
DTC-850-2.5-6	2.5	57.5	30	45	52.5	10.2	1.2	275	687	27	2.3
DTC-850-3.0-2	3	57.5	30	45	52.5		1.2	275	825	12	2.7
DTC-850-3.0-4	3	57.5	30	45	52.5	20.3	1.2	275	825	22	2.1
DTC-850-3.0-6	3	57.5	30	45	52.5	10.2	1.2	275	825	27	2.1
DTC-850-3.3-2	3.3	57.5	35	50	52.5		1.2	275	907	12	2.7
DTC-850-3.3-4	3.3	57.5	35	50	52.5	20.3	1.2	275	907	22	2.1
DTC-850-3.3-6	3.3	57.5	35	50	52.5	10.2	1.2	275	907	29	2.1
DTC-850-4.0-2	4	57.5	35	50	52.5		1.2	275	1100	12	2.5
DTC-850-4.0-4	4	57.5	35	50	52.5	20.3	1.2	275	1100	22	1.9
DTC-850-4.7-2	4.7	57.5	35	50	52.5		1.2	275	1292	12	2.3
DTC-850-4.7-4	4.7	57.5	35	50	52.5	20.3	1.2	275	1292	22	1.8
DTC-850-4.7-6	4.7	57.5	35	50	52.5	10.2	1.2	275	1292	30	1.8



HV-HF Resonant
MKP-DHC-Capacitor

Part Number	Cap (μF)	Dimension (mm)						Du/dt (v/μs)	Ipeak (A)	Irms (A)	ESR (mΩ)
		L	B	H	P	P1	d				
Ur 1000Vdc, Urms 480Vac, Upk 1400Vdc											
DTC-1000-0.047-2	0.047	26.5	7	16	22.5		0.8	1000	47	3	18
DTC-1000-0.068-2	0.068	26.5	8.5	17	22.5		0.8	1000	68	3.5	13.5
DTC-1000-0.10-2	0.1	26.5	11	20	22.5		0.8	1000	100	5	9.9
DTC-1000-0.10-2	0.1	31	9	18	27.5		0.8	850	85	5	11
DTC-1000-0.15-2	0.15	26.5	12	22	22.5		0.8	1000	150	6.5	7.3
DTC-1000-0.15-2	0.15	31	11	20	27.5		0.8	850	127	6.5	8.2
DTC-1000-0.22-2	0.22	31	15	24.5	27.5		1	850	187	9	6.5
DTC-1000-0.33-2	0.33	31	17	28	27.5		1	850	280	9	5.5
DTC-1000-0.47-2	0.47	31	18	33	27.5		1.2	850	399	12	3.7
DTC-1000-0.47-2	0.47	42.5	15	26	37.5		1.2	570	268	12	4.6
DTC-1000-0.56-2	0.56	42.5	17	28	37.5		1.2	570	319	12	4.2
DTC-1000-0.82-2	0.82	42.5	22	30	37.5		1.2	570	467	12	3.6
DTC-1000-0.82-4	0.82	42.5	22	30	37.5	10.2	1.2	570	467	22	3.2
DTC-1000-1.0-2	1	42.5	28	37	37.5		1.2	570	570	12	3.4
DTC-1000-1.0-4	1	42.5	28	37	37.5	20.3	1.2	570	570	22	2.7
DTC-1000-1.2-2	1.2	42.5	28	37	37.5		1.2	570	684	12	3.3
DTC-1000-1.2-4	1.2	42.5	28	37	37.5	20.3	1.2	570	684	22	2.9
DTC-1000-1.5-2	1.5	42.5	28	37	37.5		1.2	570	855	12	3.1
DTC-1000-1.5-4	1.5	42.5	28	37	37.5	20.3	1.2	570	855	22	2.5
DTC-1000-2.0-2	2	42.5	35	45	37.5		1.2	570	1140	12	3
DTC-1000-2.0-4	2	42.5	35	45	37.5	20.3	1.2	570	1140	22	2.6
DTC-1000-2.0-6	2	42.5	35	45	37.5	10.2	1.2	570	1140	27	2.6
DTC-1000-2.2-2	2.2	42.5	35	45	37.5		1.2	570	1254	12	3
DTC-1000-2.2-4	2.2	42.5	35	45	37.5	20.3	1.2	570	1254	22	2.5
DTC-1000-2.2-6	2.2	42.5	35	45	37.5	10.2	1.2	570	1254	27	2.5
DTC-1000-2.5-2	2.5	57.5	30	45	52.5		1.2	320	800	12	2.8
DTC-1000-2.5-4	2.5	57.5	30	45	52.5	20.3	1.2	320	800	22	2.4
DTC-1000-2.5-6	2.5	57.5	30	45	52.5	10.2	1.2	320	800	29	2.4
DTC-1000-3.0-2	3	57.5	35	50	52.5		1.2	320	960	12	2.7
DTC-1000-3.0-4	3	57.5	35	50	52.5	20.3	1.2	320	960	22	2.2
DTC-1000-3.0-6	3	57.5	35	50	52.5	10.2	1.2	320	960	29	2.2
DTC-1000-3.3-2	3.3	57.5	35	50	52.5		1.2	320	1056	12	2.6
DTC-1000-3.3-4	3.3	57.5	35	50	52.5	20.3	1.2	320	1056	22	2
DTC-1000-3.3-6	3.3	57.5	35	50	52.5	10.2	1.2	320	1056	30	2
Ur 1200Vdc, Urms 500Vac, Upk 1600Vdc											
DTC-1200-0.033-2	0.033	26.5	7	16	22.5		0.8	1300	43	3	22
DTC-1200-0.047-2	0.047	26.5	8.5	17	22.5		0.8	1300	61	3.5	16
DTC-1200-0.068-2	0.068	26.5	10	18.5	22.5		0.8	1300	88	4	13
DTC-1200-0.10-2	0.1	26.5	12	22	22.5		0.8	1300	130	5.5	9.7
DTC-1200-0.10-2	0.1	31	11	20	27.5		0.8	1100	110	5.5	10.5
DTC-1200-0.15-2	0.15	31	13	22	27.5		1	1100	165	7	7.6



HV-HF Resonant
MKP-DHC-Capacitor

Part Number	Cap (μF)	Dimension (mm)						Du/dt (v/μs)	Ipeak (A)	Irms (A)	ESR (mΩ)
		L	B	H	P	P1	d				
DTC-1200-0.22-2	0.22	31	15	24.5	27.5		1	1100	242	9	5.5
DTC-1200-0.33-2	0.33	31	18	33	27.5		1.2	1100	363	12	4.3
DTC-1200-0.47-2	0.47	32	22	37	27.5		1.2	1100	517	12	3.4
DTC-1200-0.47-2	0.47	42.5	17	28	37.5		1.2	650	305	12	4.8
DTC-1200-0.68-2	0.68	42.5	22	30	37.5		1.2	650	442	12	3.9
DTC-1200-0.68-4	0.68	42.5	22	30	37.5	10.2	1.2	650	442	20	3.4
DTC-1200-1.0-2	1	42.5	28	37	37.5		1.2	650	650	12	3.4
DTC-1200-1.0-4	1	42.5	28	37	37.5	20.3	1.2	650	650	21	2.8
DTC-1200-1.2-2	1.2	42.5	28	37	37.5		1.2	650	780	12	3.4
DTC-1200-1.2-4	1.2	42.5	28	37	37.5	20.3	1.2	650	780	22	2.5
DTC-1200-1.5-2	1.5	42.5	35	45	37.5		1.2	650	975	12	2.8
DTC-1200-1.5-4	1.5	42.5	35	45	37.5	20.3	1.2	650	975	22	2.1
DTC-1200-1.5-6	1.5	42.5	35	45	37.5	10.2	1.2	650	975	27	2.1
DTC-1200-2.0-2	2	57.5	30	45	52.5		1.2	350	700	12	3
DTC-1200-2.0-4	2	57.5	30	45	52.5	20.3	1.2	350	700	22	2.4
DTC-1200-2.0-6	2	57.5	30	45	52.5	10.2	1.2	350	700	27	2.4
DTC-1200-2.2-2	2.2	57.5	35	50	52.5		1.2	350	770	12	2.9
DTC-1200-2.2-4	2.2	57.5	35	50	52.5	20.3	1.2	350	770	22	2.3
DTC-1200-2.2-6	2.2	57.5	35	50	52.5	10.2	1.2	350	770	30	2.3
DTC-1200-2.5-2	2.5	57.5	35	50	52.5		1.2	350	875	12	2.7
DTC-1200-2.5-4	2.5	57.5	35	50	52.5	20.3	1.2	350	875	22	2.1
DTC-1200-2.5-6	2.5	57.5	35	50	52.5	10.2	1.2	350	875	30	2.1
Ur 1500Vdc, Urms 570Vac, Upk 2000Vdc											
DTC-1500-0.022-2	0.022	26.5	7	16	22.5		0.8	1500	33	2.5	29.5
DTC-1500-0.033-2	0.033	26.5	8.5	17	22.5		0.8	1500	50	3	22
DTC-1500-0.047-2	0.047	26.5	10	18.5	22.5		0.8	1500	70	3.5	16.5
DTC-1500-0.047-2	0.047	31	9	18	27.5		0.8	1225	57	3.5	18.2
DTC-1500-0.068-2	0.068	26.5	12	22	22.5		0.8	1500	102	5	12.3
DTC-1500-0.068-2	0.068	31	11	20	27.5		0.8	1500	102	5	13.8
DTC-1500-0.10-2	0.1	31	13	22	27.5		0.8	1500	150	6.5	9.5
DTC-1500-0.10-2	0.15	31	17	28	27.5		1	1500	225	8	7.1
DTC-1500-0.22-2	0.22	31	18	33	27.5		1.2	1500	330	12	5.1
DTC-1500-0.22-4	0.22	42.5	15	26	37.5		1.2	800	176	12	6.8
DTC-1500-0.33-2	0.33	42.5	22	30	37.5		1.2	800	264	12	4.1
DTC-1500-0.33-4	0.33	42.5	22	30	37.5	10.2	1.2	800	264	18	3.3
DTC-1500-0.47-2	0.47	42.5	28	37	37.5		1.2	800	376	12	4.4
DTC-1500-0.47-4	0.47	42.5	28	37	37.5	10.2	1.2	800	376	22	3.8
DTC-1500-0.68-2	0.68	42.5	28	37	37.5		1.2	800	544	12	3.8
DTC-1500-0.68-4	0.68	42.5	28	37	37.5	10.2	1.2	800	544	22	3.2
DTC-1500-1.0-2	1	42.5	35	45	37.5		1.2	800	800	12	3.2
DTC-1500-1.0-4	1	42.5	35	45	37.5	20.3	1.2	800	800	22	2.6
DTC-1500-1.0-6	1	42.5	35	45	37.5	10.2	1.2	800	800	27	2.6



HV-HF Resonant
MKP-DHC-Capacitor

Part Number	Cap (μF)	Dimension (mm)						Du/dt (v/μs)	Ipeak (A)	Irms (A)	ESR (mΩ)
		L	B	H	P	P1	d				
DTC-1500-1.2-2	1.2	57.5	30	45	52.5		1.2	500	600	12	3.5
DTC-1500-1.2-4	1.2	57.5	30	45	52.5	20.3	1.2	500	600	22	2.9
DTC-1500-1.2-6	1.2	57.5	30	45	52.5	10.2	1.2	500	600	27	2.9
DTC-1500-1.5-2	1.5	57.5	35	50	52.5		1.2	500	750	12	3.2
DTC-1500-1.5-4	1.5	57.5	35	50	52.5	20.3	1.2	500	750	22	2.6
DTC-1500-1.5-6	1.5	57.5	35	50	52.5	10.2	1.2	500	750	27	2.6
DTC-1500-1.8-2	1.8	57.5	35	50	52.5		1.2	500	900	12	3
DTC-1500-1.8-4	1.8	57.5	35	50	52.5	20.3	1.2	500	900	22	2.4
DTC-1500-1.8-6	1.8	57.5	35	50	52.5	10.2	1.2	500	900	30	2.4
Ur 2000Vdc, Urms 630Vac, Upk 2400Vdc											
DTC-2000-0.015-2	0.015	26.5	7	16	22.5		0.8	2150	32	2	37.5
DTC-2000-0.022-2	0.022	26.5	8.5	17	22.5		0.8	2150	47	2.5	27
DTC-2000-0.033-2	0.033	26.5	11	20	22.5		0.8	2150	71	3.5	21
DTC-2000-0.033-2	0.033	31	11	20	27.5		0.8	1750	58	4	23.7
DTC-2000-0.047-2	0.047	26.5	12	22	22.5		0.8	2150	101	4.5	14.8
DTC-2000-0.047-2	0.047	31	11	20	27.5		0.8	1750	82	4.5	16.8
DTC-2000-0.068-2	0.068	31	13	22	27.5		0.8	1750	119	5.5	12.1
DTC-2000-0.10-2	0.1	31	17	28	27.5		1	1750	175	8	8.4
DTC-2000-0.15-2	0.15	31	18	33	27.5		1.2	1750	262	11	5.9
DTC-2000-0.15-2	0.15	42.5	15	26	37.5		1.2	1000	150	9	6.2
DTC-2000-0.22-2	0.22	42.5	22	30	37.5		1.2	1000	220	12	5.2
DTC-2000-0.22-4	0.22	42.5	22	30	37.5	10.2	1.2	1000	220	15	4.6
DTC-2000-0.33-2	0.33	42.5	28	37	37.5		1.2	1000	330	12	4.7
DTC-2000-0.33-4	0.33	42.5	28	37	37.5	10.2	1.2	1000	330	18	3.1
DTC-2000-0.47-2	0.47	42.5	28	37	37.5		1.2	1000	470	12	4
DTC-2000-0.47-4	0.47	42.5	28	37	37.5	20.3	1.2	1000	470	22	3.4
DTC-2000-0.56-2	0.56	42.5	35	45	37.5		1.2	1000	560	12	3.7
DTC-2000-0.56-4	0.56	42.5	35	45	37.5	20.3	1.2	1000	560	22	3.1
DTC-2000-0.56-6	0.56	42.5	35	45	37.5	10.2	1.2	1000	560	27	3.1
DTC-2000-0.68-2	0.68	57.5	30	45	52.5		1.2	580	394	12	4.3
DTC-2000-0.68-4	0.68	57.5	30	45	52.5	20.3	1.2	580	394	22	3.6
DTC-2000-0.68-6	0.68	57.5	30	45	52.5	10.2	1.2	580	394	27	3.6
DTC-2000-0.82-2	0.82	57.5	30	45	52.5		1.2	580	476	12	3.9
DTC-2000-0.82-4	0.82	57.5	30	45	52.5	20.3	1.2	580	476	22	3.2
DTC-2000-0.82-6	0.82	57.5	30	45	52.5	10.2	1.2	580	476	27	3.2
DTC-2000-1.0-2	1	57.5	35	50	52.5		1.2	580	580	12	3.6
DTC-2000-1.0-4	1	57.5	35	50	52.5	20.3	1.2	580	580	22	2.9
DTC-2000-1.0-6	1	57.5	35	50	52.5	10.2	1.2	580	580	29	2.9
DTC-2000-1.2-2	1.2	57.5	35	50	52.5		1.2	580	696	12	3.2
DTC-2000-1.2-4	1.2	57.5	35	50	52.5	20.3	1.2	580	696	22	2.5
DTC-2000-1.2-6	1.2	57.5	35	50	52.5	10.2	1.2	580	696	30	2.5
Ur 2500Vdc, Urms 700Vac, Upk 3000Vdc											
DTC-2500-0.0068-2	0.0068	26.5	7	16	22.5		0.8	2650	18	1.5	68
DTC-2500-0.01-2	0.01	26.5	8.5	17	22.5		0.8	2650	27	2	51



HV-HF Resonant
MKP-DHC-Capacitor

Part Number	Cap (μ F)	Dimension (mm)						Du/dt (v/ μ s)	Ipeak (A)	Irms (A)	ESR (m Ω)
		L	B	H	P	P1	d				
DTC-2500-0.015-2	0.015	26.5	10	18.5	22.5		0.8	2650	40	2.5	36
DTC-2500-0.022-2	0.022	26.5	12	22	22.5		0.8	2650	58	3	26.5
DTC-2500-0.022-2	0.022	31	11	20	27.5		0.8	2150	47	3	30.5
DTC-2500-0.033-2	0.033	31	11	20	27.5		0.8	2150	71	4	22.5
DTC-2500-0.047-2	0.047	31	13	22	27.5		0.8	2150	101	5.5	16
DTC-2500-0.068-2	0.068	31	17	28	27.5		1	2150	146	8	11.3
DTC-2500-0.1-2	0.1	42.5	15	26	37.5		1.2	1350	135	8.5	11.8
DTC-2500-0.12-2	0.12	42.5	17	28	37.5		1.2	1350	162	10	8
DTC-2500-0.15-2	0.15	42.5	22	30	37.5		1.2	1350	203	11	7.7
DTC-2500-0.15-4	0.15	42.5	22	30	37.5	10.2	1.2	1350	203	15	6.5
DTC-2500-0.22-2	0.22	42.5	28	37	37.5		1.2	1350	297	12	5.8
DTC-2500-0.22-4	0.22	42.5	28	37	37.5	10.2	1.2	1350	297	22	5.2
DTC-2500-0.33-2	0.33	42.5	28	37	37.5		1.2	1350	447	12	4.3
DTC-2500-0.33-4	0.33	42.5	28	37	37.5	20.3	1.2	1350	447	20	3.9
DTC-2500-0.39-2	0.39	42.5	35	45	37.5		1.2	1350	527	12	4.3
DTC-2500-0.39-4	0.39	42.5	35	45	37.5	20.3	1.2	1350	527	20	3.6
DTC-2500-0.39-6	0.39	42.5	35	45	37.5	10.2	1.2	1350	527	25	3.6
DTC-2500-0.47-2	0.47	42.5	35	45	37.5		1.2	1350	635	12	4
DTC-2500-0.47-4	0.47	42.5	35	45	37.5	20.3	1.2	1350	635	22	3.5
DTC-2500-0.47-6	0.47	42.5	35	45	37.5	10.2	1.2	1350	635	25	3.5
DTC-2500-0.56-2	0.56	57.5	30	45	52.5		1.2	750	420	12	4.3
DTC-2500-0.56-4	0.56	57.5	30	45	52.5	20.3	1.2	750	420	22	3.6
DTC-2500-0.56-6	0.56	57.5	30	45	52.5	10.2	1.2	750	420	25	3.6
DTC-2500-0.68-2	0.68	57.5	35	50	52.5		1.2	750	510	12	4
DTC-2500-0.68-4	0.68	57.5	35	50	52.5	20.3	1.2	750	510	22	3.3
DTC-2500-0.68-6	0.68	57.5	35	50	52.5	10.2	1.2	750	510	25	3.3
DTC-2500-0.82-2	0.82	57.5	35	50	52.5		1.2	750	615	12	3.7
DTC-2500-0.82-4	0.82	57.5	35	50	52.5	20.3	1.2	750	615	22	2.9
DTC-2500-0.82-6	0.82	57.5	35	50	52.5	10.2	1.2	750	615	26	2.9
Ur 3000Vdc, Urms 750Vac, Upk 3500Vdc											
DTC-3000-0.0047-2	0.0047	26.5	7	16	22.5		0.8	3400	16	1.5	87
DTC-3000-0.0068-2	0.0068	26.5	8.5	17	22.5		0.8	3400	23	2	64
DTC-3000-0.010-2	0.01	26.5	11	20	22.5		0.8	3400	34	2.5	45.6
DTC-3000-0.01-2	0.01	31	9	18	27.5		0.8	2750	28	2.5	54
DTC-3000-0.015-2	0.015	26.5	12	22	22.5		0.8	3400	51	3	33
DTC-3000-0.015-2	0.015	31	11	20	27.5		0.8	2750	41	3	38
DTC-3000-0.022-2	0.022	31	13	22	27.5		0.8	2750	60	4	26.5
DTC-3000-0.033-2	0.033	31	15	24.5	27.5		0.8	2750	91	5	19
DTC-3000-0.047-2	0.047	31	18	33	27.5		1	2750	129	7.5	13.8
DTC-3000-0.047-2	0.047	42.5	15	26	37.5		1.2	1600	75	8.5	15
DTC-3000-0.068-2	0.068	42.5	17	28	37.5		1.2	1600	109	9.5	12.4
DTC-3000-0.1-2	0.1	42.5	22	30	37.5		1.2	1600	160	10	9.4
DTC-3000-0.1-4	0.1	42.5	22	30	37.5	10.2	1.2	1600	160	12.5	8.7
DTC-3000-0.15-2	0.15	42.5	28	37	37.5		1.2	1600	240	12	6.8
DTC-3000-0.15-4	0.15	42.5	28	37	37.5	20.3	1.2	1600	352	14.5	6.1
DTC-3000-0.22-2	0.22	42.5	35	45	37.5		1.2	1600	352	12	5.2
DTC-3000-0.22-4	0.22	42.5	35	45	37.5	20.3	1.2	1600	352	18.5	4.5
DTC-3000-0.22-6	0.22	42.5	35	45	37.5	10.2	1.2	875	289	25	4.5
DTC-3000-0.33-2	0.33	57.5	30	45	52.5		1.2	875	289	12	5.1
DTC-3000-0.33-4	0.33	57.5	30	45	52.5	20.3	1.2	875	289	18.5	4.4
DTC-3000-0.33-6	0.33	57.5	30	45	52.5	10.2	1.2	875	411	25	4.4
DTC-3000-0.47-4	0.47	57.5	35	50	52.5	20.3	1.2	875	411	22	3.8
DTC-3000-0.47-6	0.47	57.5	35	50	52.5	10.2	1.2	1600	109	27	3.8