

DCG 直流储能滤波薄膜电容器

主要应用/Application

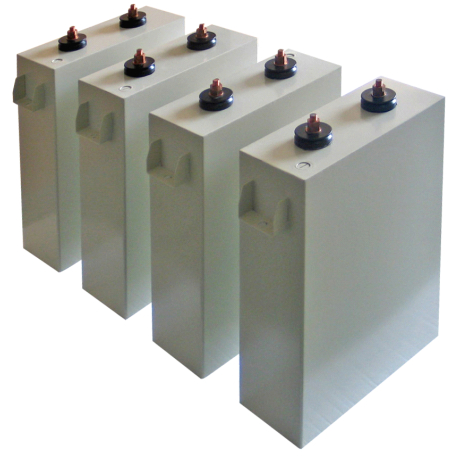
变流器直流环节起直流滤波及直流支撑作用。

系统高铁、动车机车牵引变流器，列车供电变流器，风力发电变流器，太阳能光伏发电变流器，高压变频器，静止无功发生器，有源滤波器，直流输变电等等。

Converter DC link from the DC filter and DC supporting role

.Typical applications: System High Speed Rail, EMU

locomotive traction converter, train power supply converters, wind power converters, solar photovoltaic converters, high voltage inverter, static var generator, active filters, DC input substation and so on.



产品特点/Characteristics

高品质金属化安全膜直流滤波电容器。可根据不同用户不同系统生产油浸式、干式，方形、圆形直流滤波电容器。电容器具有电感低，寿命长，可靠性高，适用频率范围广，性价比高等优势。

High quality DC filter capacitors metallized safety film.

According to the different users of different systems the production of oil-immersed and dry type, square, round DC filter capacitors. Capacitors with low inductance, long life, high reliability and wide applicable frequency range, the cost advantage.



技术性能/Specifications

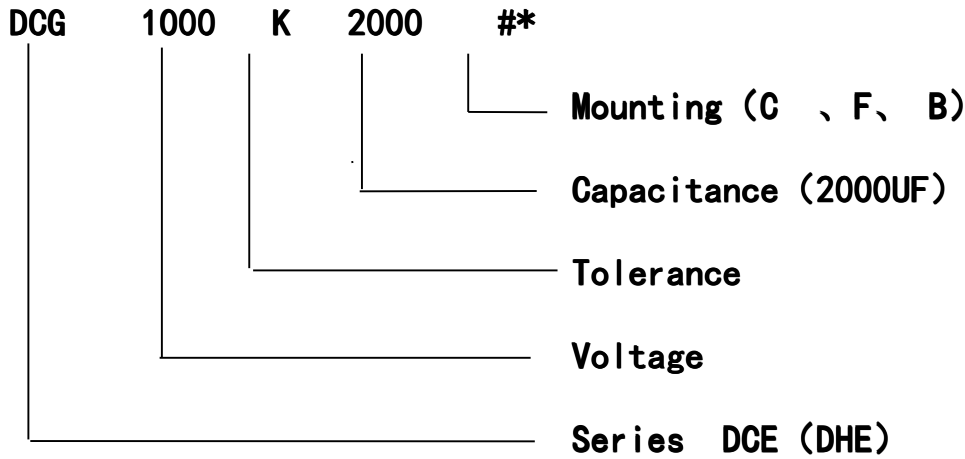
产品外观图

容量范围 Cn /Capacitance range Cn	100 μ F to 15000 μ F
容量偏差/Tolerance on Cn	-10%~+10%; -5%~+5%
直流额定电压范围 Un/ DC voltage range Un	DC 600V to 6KV, 可更高电压/Higher voltage on request.
损耗角正切值 tan δ / Loss factor tan δ	<0.2% (At 50Hz, 20 $^{\circ}$ C)
电感 ESL/ Self-inductance ESL	<100nH, 可根据需要小于50 nH /<50 nH on request
使用环境温度/ Ambient temperature	-40 $^{\circ}$ C~+65 $^{\circ}$ C
填充剂/Impregnation	Oil or dry
极间耐压/ Test voltage between terminals	1.5Un
预期寿命/Lifetime-expectancy	100, 000 hours (额定工况/At rated working conditions)
执行标准/ Standard reference	IEC 61071, IEC 61881
外壳材质/Shell material	不锈钢、铝壳/Stainless steel or Aluminum.

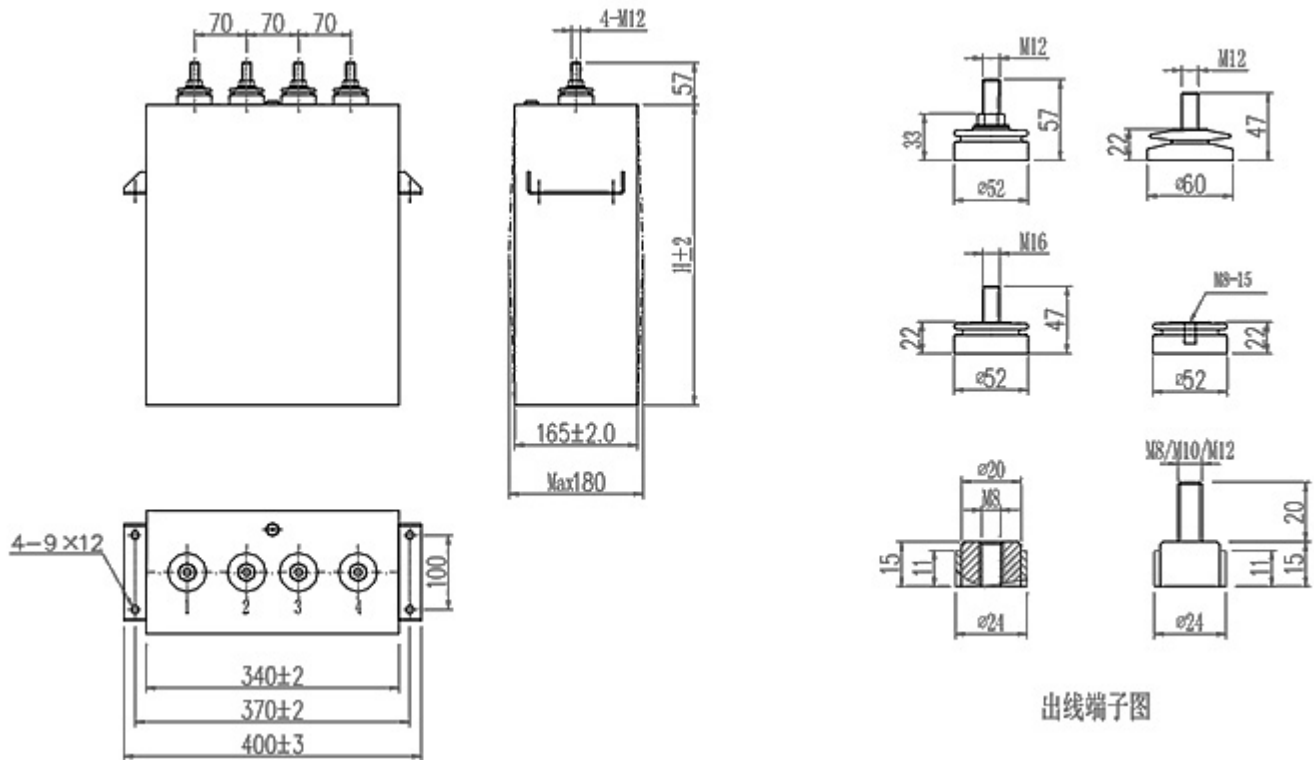
过压运行/Protection against over voltages

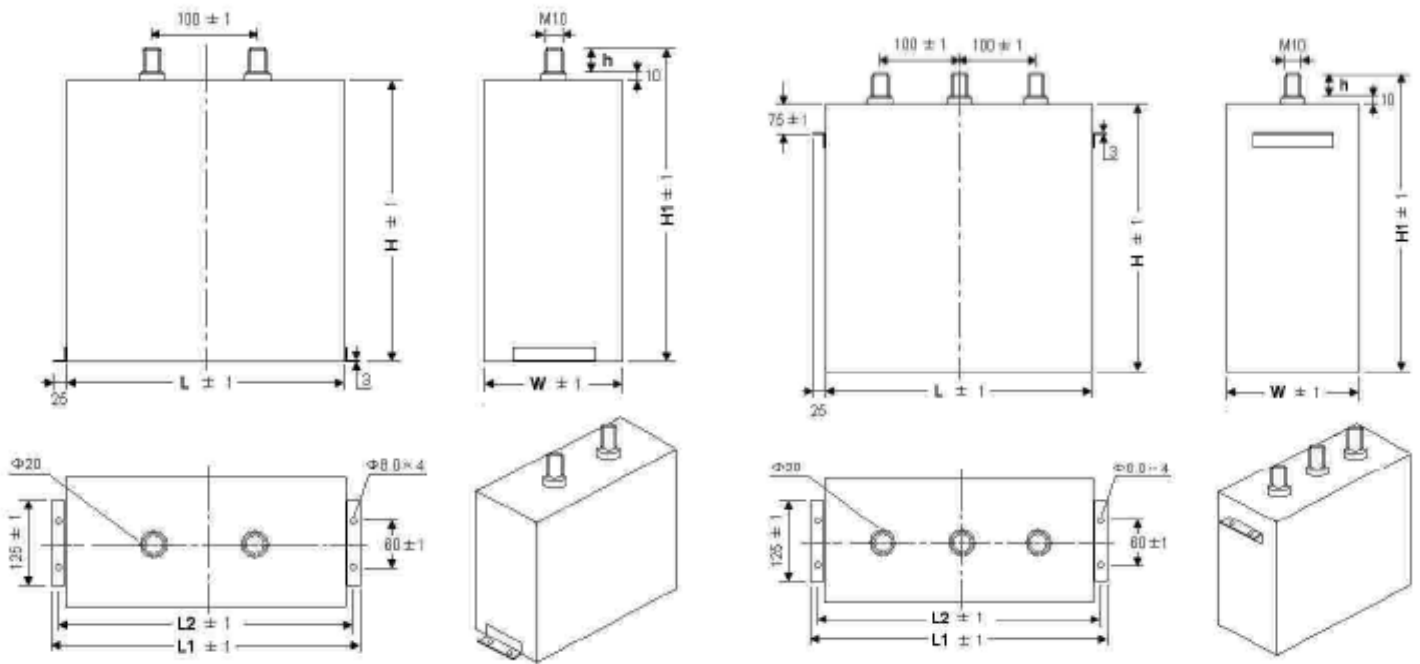
$1.1 \times U_n$	30% of the service period
$1.15 \times U_n$	30min/d
$1.2 \times U_n$	5min/d
$1.3 \times U_n$	1min/d
$1.5 \times U_n$	100ms no more than 1000 times

产品代码/Part Numbering System



外形图/Outline drawing





Article table/参数表*参照表

标准尺寸/Standard dimensions:L×W(mm)
 340×165(低电感结构175mm/175mm for Low ESL structure)

H (mm)	250	340	435	530	620	715
Un (V)	Cn(μF)	Cn(μF)	Cn(μF)	Cn(μF)	Cn(μF)	Cn(μF)
800	7000	9500	12800	15600	-	-
1000	6000	8500	12000	15000	-	-
1200	4500	6650	8800	11000	13100	15300
1600	2500	3600	4900	6150	7250	8450
2000	1600	2320	3080	3840	4560	5320
2400	1100	1570	2070	2560	3040	3530
2800	810	1155	1520	1890	2235	2600
3000	700	1000	1315	1630	1930	2250
3200	610	870	1145	1420	1680	1960
4800	275	390	515	640	760	880
5200	235	335	440	545	650	755
6000	175	250	330	405	480	560

*****更多规格，按客人要求订做！