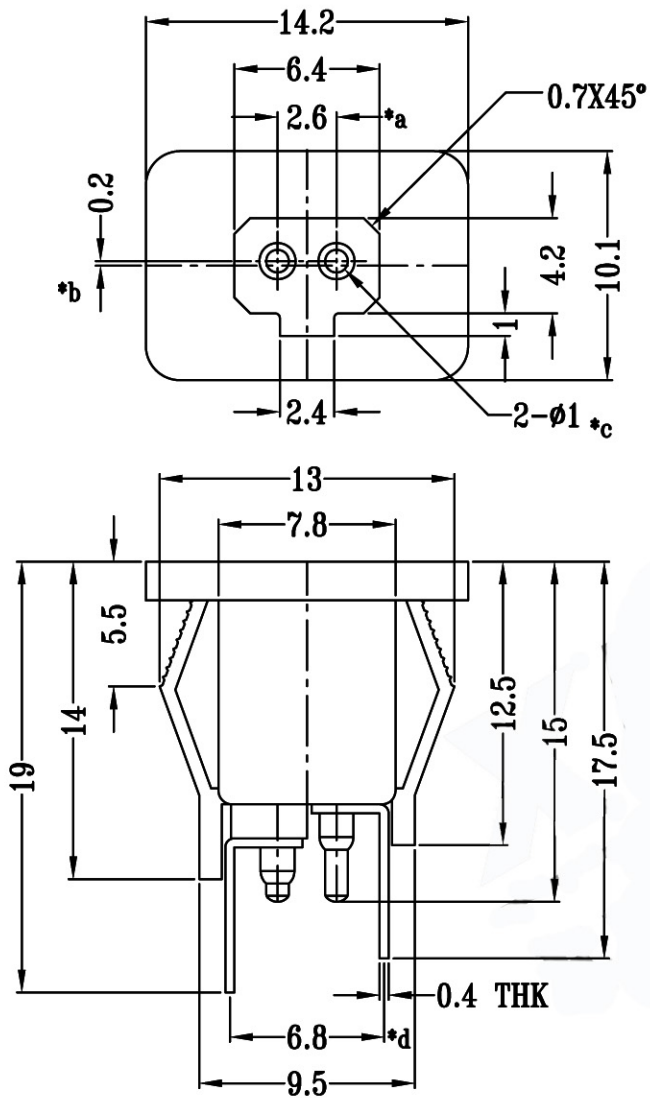
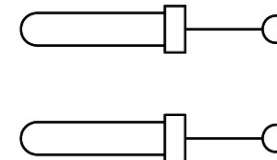


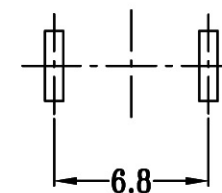
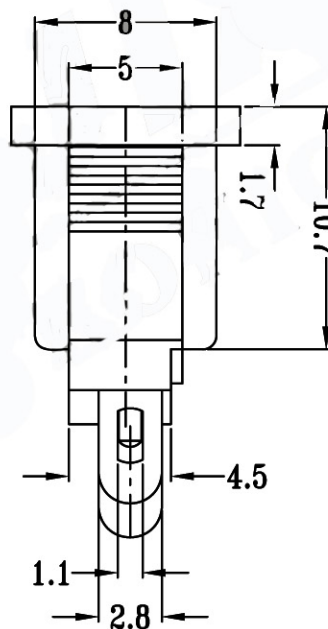
CAD FILE:



DIA. OF PIN \*E = 1.0 MM



**SCHEMATIC**



**P.C.B LAYOUT**

注:带\*表示关键尺寸(4个)

8					TOLERANCE UNLESS SPECIFIED	KEMEI ELECTRONICS CO., LTD			
7									
6					WITHIN: 1.5±0.1mm	A			
5					OVER: 1.5±0.2mm	ISSUE	DATE	DESCRIPTIONS OF REVISION	APPD.
4					TITLE: DC POWER JACK			UNIT: mm	DRWG NO.: DC-074
3	PLUG PIN	BRASS STRIP	2	Ag PLATED OVER Ni PLATED	MODEL: DC-074			SCALE: 3:1	DWN. ZHOUYU 2003-4-15
2	TERMINAL	BRASS STRIP	2	Ag PLATED OVER Ni PLATED	ALL MATERIALS MUST BE COMPLIANT TO ROHS			CHK'D FANGYING	2003-4-15
1	CASE	NYLON	1	BLACK				APPD. KANGXINAN	2003-4-15
NO.	PARTS	MATERIALS	Q'TY	FINISH					