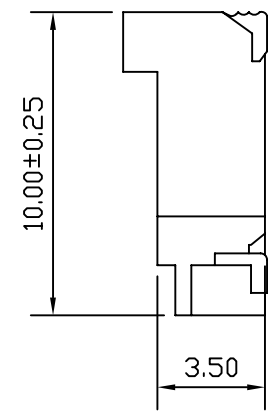
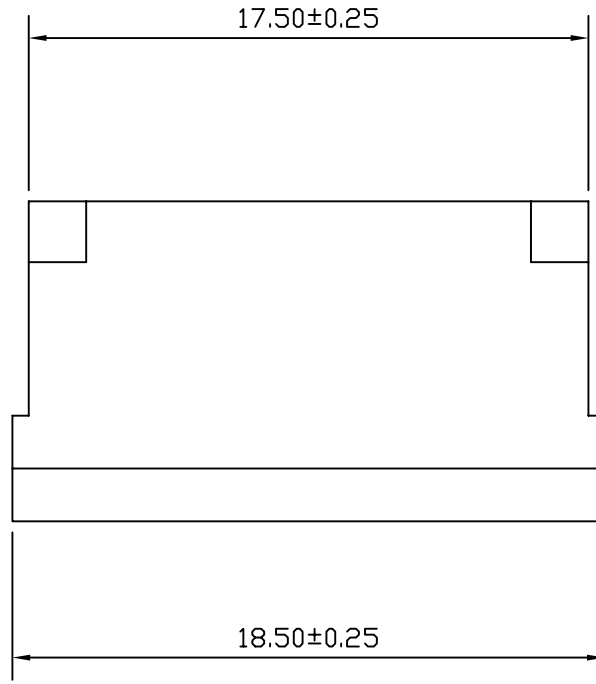
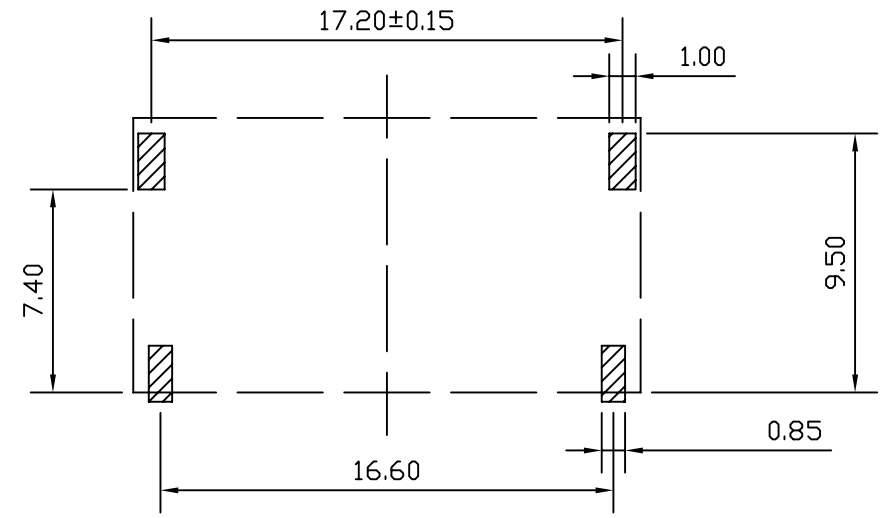
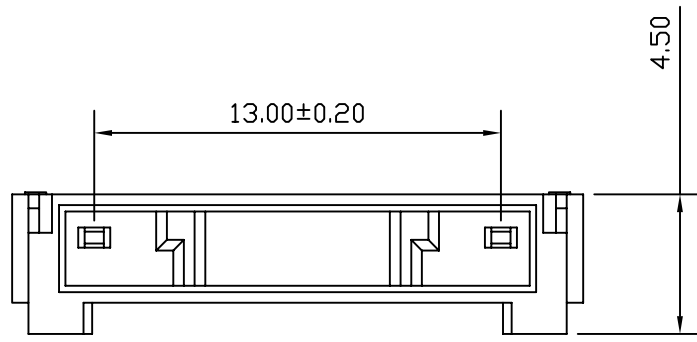


SPECIFICATIONS

Current Rating: 1A AC,DC
 Voltage Rating: 3000V AC,DC
 Temperature Range: -25°C ~ +85°C
 Contact Resistance: 10mΩ Max
 Insulation Resistance: 1000MΩ Min
 Withstanding Voltage: 5000V AC/minute
 Material: PBT+15%,UL94V-0

CJT [®] CHANGJIANG CONNECTORS CO.,LTD. <small>CHANGJIANG CONNECTORS</small>		Unit	Scale	Sheet	Title :
		mm	Enone	1 of 1	
Draw BY	Approved :	13.00mm PITCH HOUSING			
LIZQ	GONGYB				
General Toerance					DRAW NO : A13001H-2P
x.x ϕ 0.35	ANGLE \pm				
x.xx ϕ 0.25					
x.xx ϕ 0.15		REV			

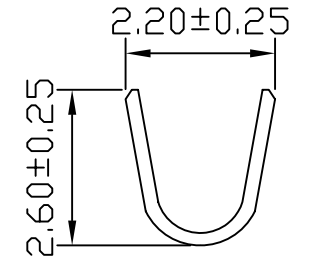
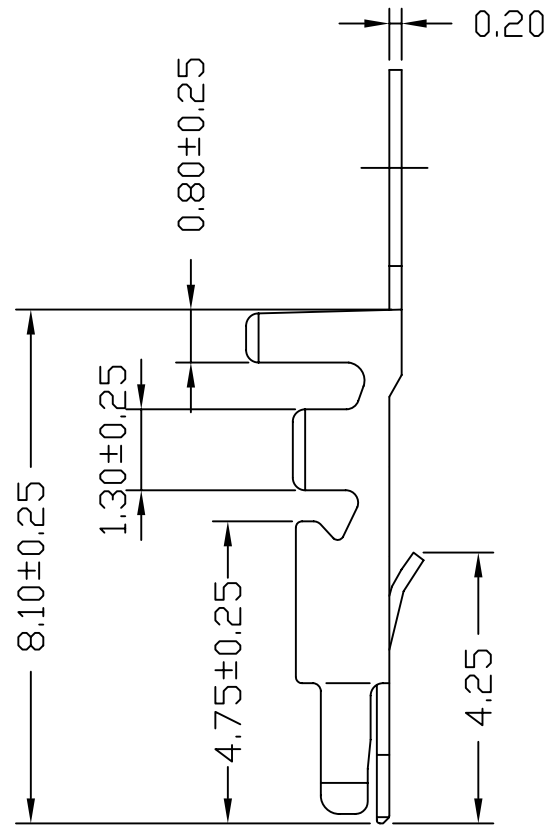
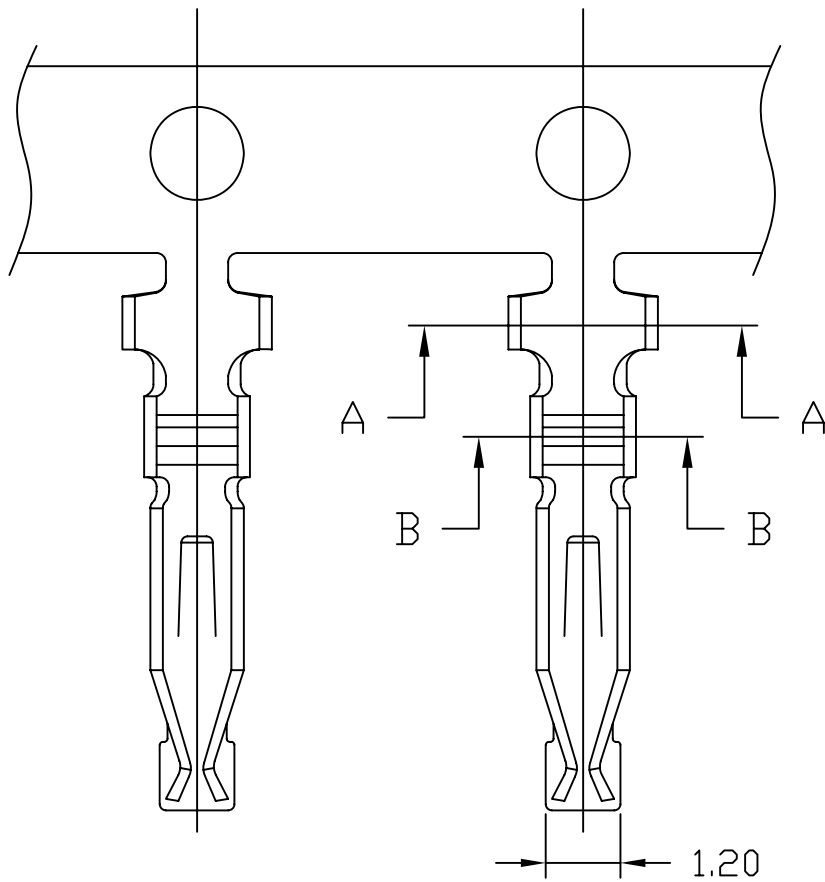
AD	NEW RELEASE	2005.05.10
REV	DESCRIPTION	DATE



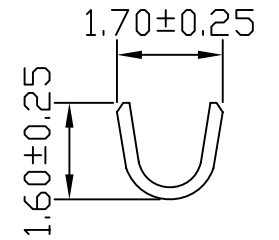
SPECIFICATIONS
 Current Rating: 1A AC,DC
 Voltage Rating: 3000V AC,DC
 Temperature Range: -25°C ~ +85°C
 Contact Resistance: 10mΩ Max
 Insulation Resistance: 1000MΩ Min
 Withstanding Voltage: 5000V AC/minute
 Pin Material: Brass/Tin-plated
 Material: PPA,UL94V-0

CJT [®] CHANGJIANG CONNECTORS CO.,LTD.			
Unit	Scale	Sheet	Title :
mm	Enone	1 of 1	
Draw BY	Approved :		
LIZQ	GONGYB		13.00mm PITCH 90° WAFER-SMT TYPE
General Toerance			DRAW NO A13001WR-S-2P
AD	NEW RELEASE	2005.05.10	
REV	DESCRIPTION	DATE	AD

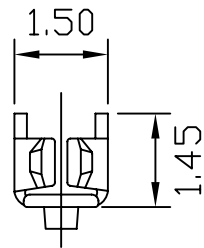
			x.x ϕ 0.35	ANGLE \pm
			x.xx ϕ 0.25	
			x.xx ϕ 0.15	



SEC:A-A



SEC:B-B



Ordering Information & Specifications

Unit:mm

Part No	Wire Range	Insulation O.D.	Material	Finish	Qty/reel
A13001-TP	AWG#24-#28	1.60mm(max)	Phosphor Bronze	Tin-plated	10,000 PCS
A13001-GP	AWG#24-#28	1.60mm(max)	Phosphor Bronze	Gold-flash	10,000 PCS

Note:stamping before Tin-plated

CJT[®] CHANGJIANG CONNECTORS CO.,LTD.
CHANGJIANG CONNECTORS

Unit	Scale	Sheet
mm	Enone	1 of 1

Title :
13.00mm PITCH
CRIMP TERMINAL

Draw BY	Approved :
LIZQ	GONGYB

General Toerance

x.x ϕ 0.35	ANGLE \pm
x.xx ϕ 0.25	
x.xxx ϕ 0.15	

AD	NEW RELEASE	2005.05.10
REV	DESCRIPTION	DATE

DRAW NO : A13001-T REV AD