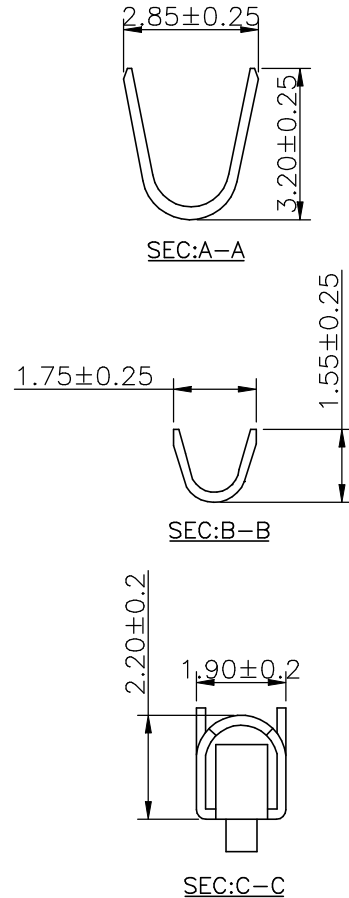
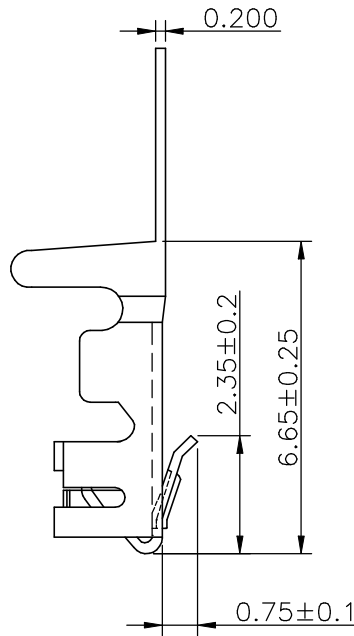
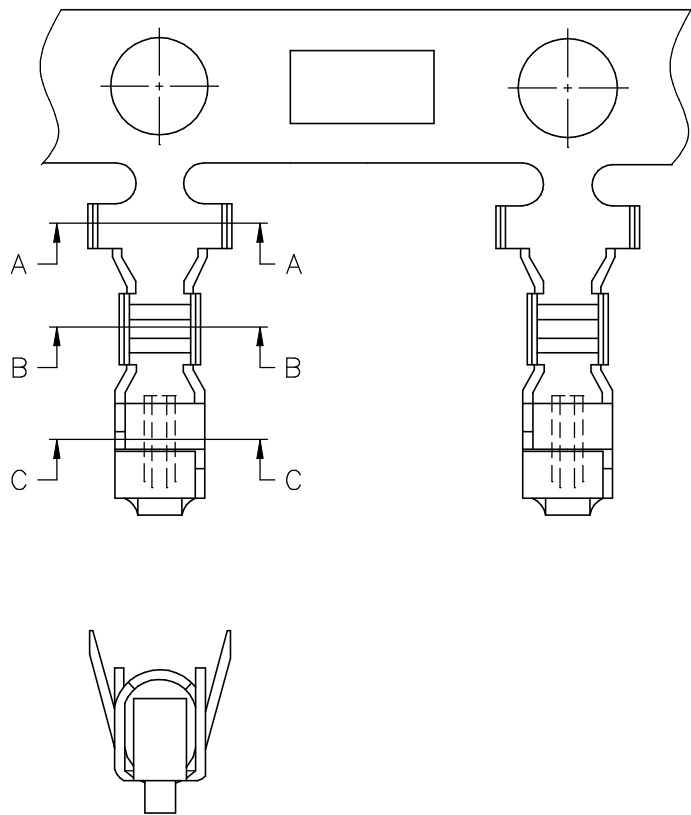


REV	DATE	DESCRIPTION	REVISOR
1.0			



Ordering information & Specifications

Unit:mm

Part No	Wire Range	Insultion O.D.	Material	Finish	Qty/reel
A2501-TB	AWG# 22-#28	1.90mm(max)	Brass	Tin-plated	8,000 pcs

Note:e-stamping before Tin-plated

Specification

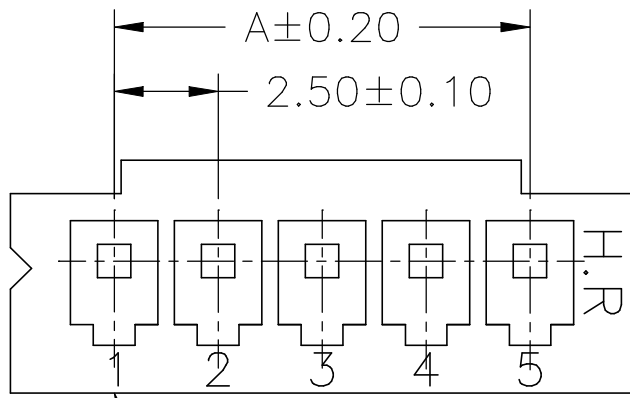
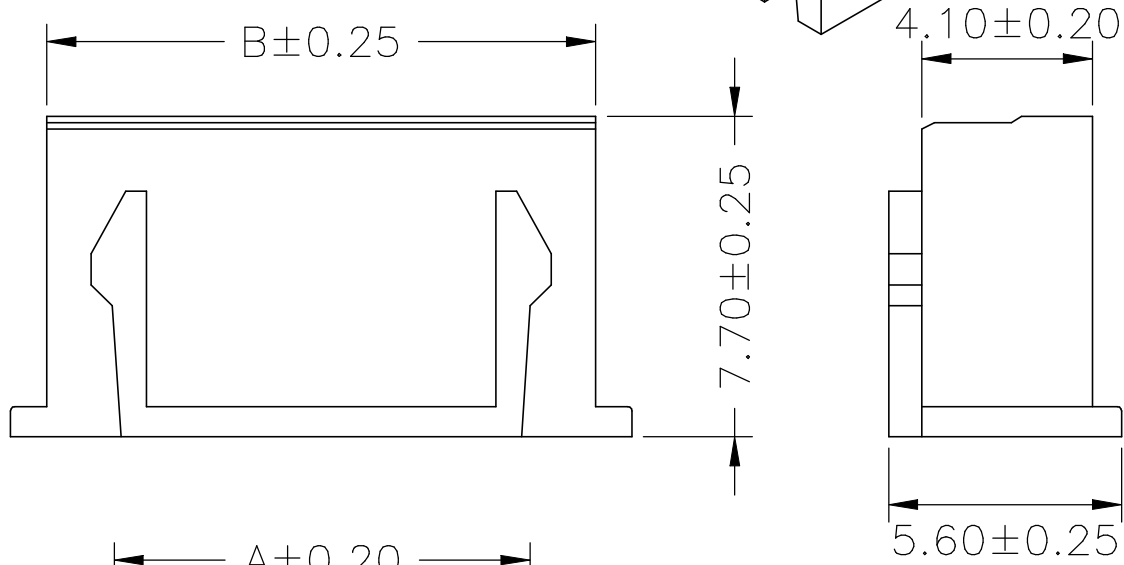
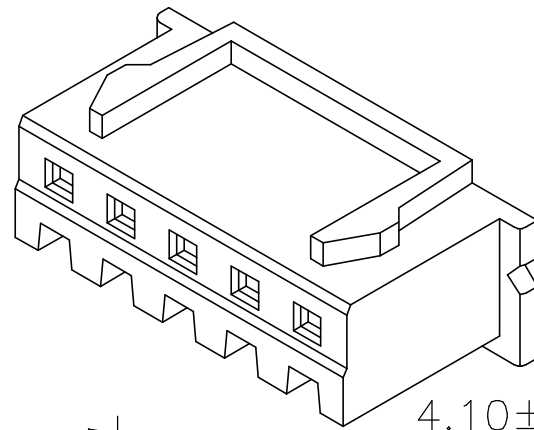
Client:		Drawing No: A2501-T	
Tolerance	Draw By: LIZhiQiang	Date: 2008-05-15	Unit:mm Scale:Enone
X. X ≤ 0.25	Checked: HE.	Date: 2008-05-15	
X. XX ≤ 0.15	Approved:	Date:	
X. XXX ≤ 0.10	Material:	Edition: A	

REV	DATE	DESCRIPTION	REVISER
1.0			

SPECIFICATIONS
 Current Rating: 3A AC,DC
 Voltage Rating: 250V AC,DC
 Temperature Range: -25°C ~ +85°C
 Contact Resistance: 10mΩ Max
 Insulation Resistance: 1000MΩ Min
 Withstanding Voltage: 1000V AC/minute
 Material: Nylon 66,UL94V-0
 Color: Natural(White)

Ordering Information & Dimensions

PART NO.	Dimensions	
	A	B
A2501H-2P	2.50	5.70
A2501H-3P	5.00	8.20
A2501H-4P	7.50	10.70
A2501H-5P	10.00	13.20
A2501H-6P	12.50	15.70
A2501H-7P	15.00	18.20
A2501H-8P	17.50	20.70
A2501H-9P	20.00	23.20
A2501H-10P	22.50	25.70
A2501H-11P	25.00	28.20
A2501H-12P	27.50	30.70
A2501H-13P	30.00	33.20
A2501H-14P	32.50	35.70
A2501H-15P	35.00	38.20
A2501H-16P	37.50	40.70
A2501H-17P	40.00	43.20
A2501H-18P	42.50	45.70
A2501H-19P	45.00	48.20
A2501H-20P	47.50	50.70



Circuit 1



Specification

Client:		Drawing No: A2501H-NP	
Tolerance	Draw By: LIZhiQiang	Date: 2008-05-15	Unit:mm Scale:Enone
X. X ≤ 0.25	Checked: HE.	Date: 2008-05-15	
X. XX ≤ 0.15	Approved:	Date:	
X. XXX ≤ 0.10	Material:	Edition: A	

REV	DATE	DESCRIPTION	REVISER
1.0			

SPECIFICATIONS

Current Rating: 3A AC,DC
Voltage Rating: 250V AC,DC
Temperature Range: -25°C ~ +85°C
Contact Resistance: 10mΩ Max
Insulation Resistance: 1000MΩ Min
Withstanding Voltage: 1000V AC/minute
Pin Material: Brass/Tin-plated
Material: Nylon 66,UL94V-0
Color: Natural(White)

Ordering Information:

A2501WV-XP-X

1 2

1.Part No.

2.Style:

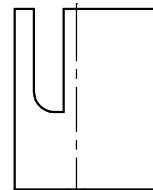
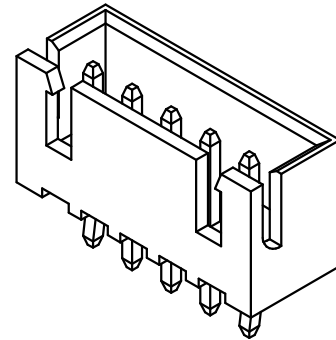
1-Type 1

2-Type 2

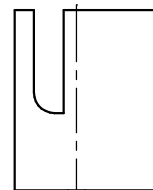
3-Type 3

Ordering Information & Dimensions

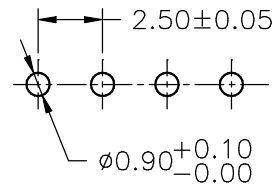
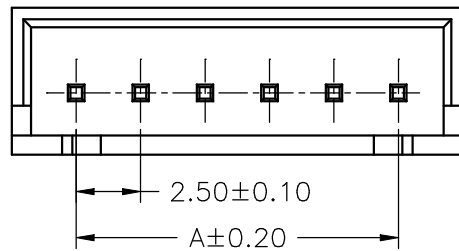
PART NO.	Dimensions	
	A	B
A2501WV-2P	2.50	7.50
A2501WV-3P	5.00	10.00
A2501WV-4P	7.50	12.50
A2501WV-5P	10.00	15.00
A2501WV-6P	12.50	17.50
A2501WV-7P	15.00	20.00
A2501WV-8P	17.50	22.50
A2501WV-9P	20.00	25.00
A2501WV-10P	22.50	27.50
A2501WV-11P	25.00	30.00
A2501WV-12P	27.50	32.50
A2501WV-13P	30.00	35.00
A2501WV-14P	32.50	37.50
A2501WV-15P	35.00	40.00
A2501WV-16P	37.50	42.50
A2501WV-17P	40.00	45.00
A2501WV-18P	42.50	47.50
A2501WV-19P	45.00	50.00
A2501WV-20P	47.50	52.50



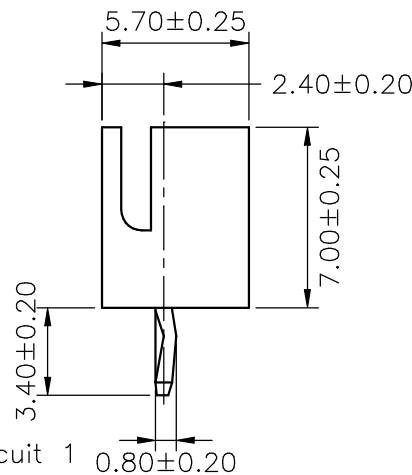
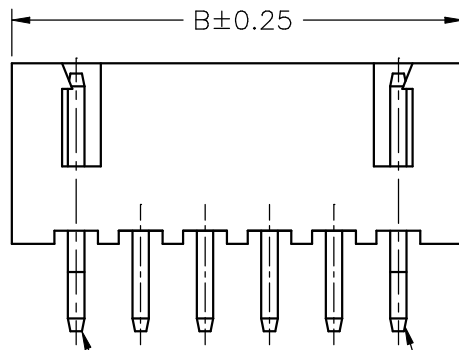
TYPE 2



TYPE 3



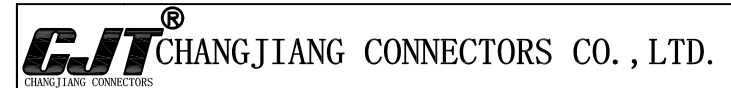
P.C.B LAYOUT



TYPE 1

PIN 0.64 SQ

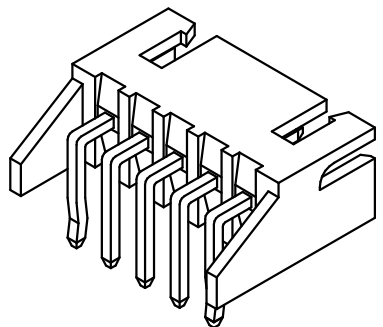
Circuit 1



Specification

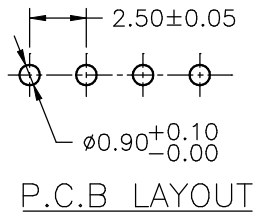
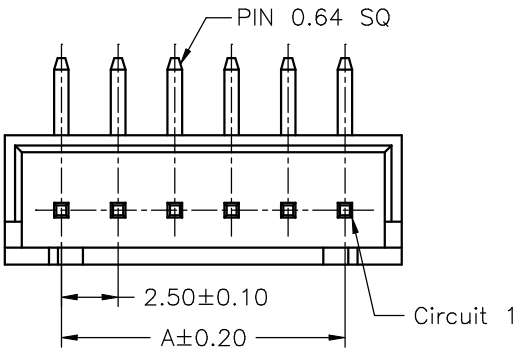
Client:		Drawing No: A2501WV-NP	
Tolerance	Draw By: LIZhiQiang	Date: 2008-05-15	Unit:mm Scale:Enone
X.X ≤ 0.25	Checked: HE.	Date: 2008-05-15	
X.XX ≤ 0.15	Approved:	Date:	
X.XXX ≤ 0.10	Material:	Edition: A	

REV	DATE	DESCRIPTION	REVISOR
1.0			



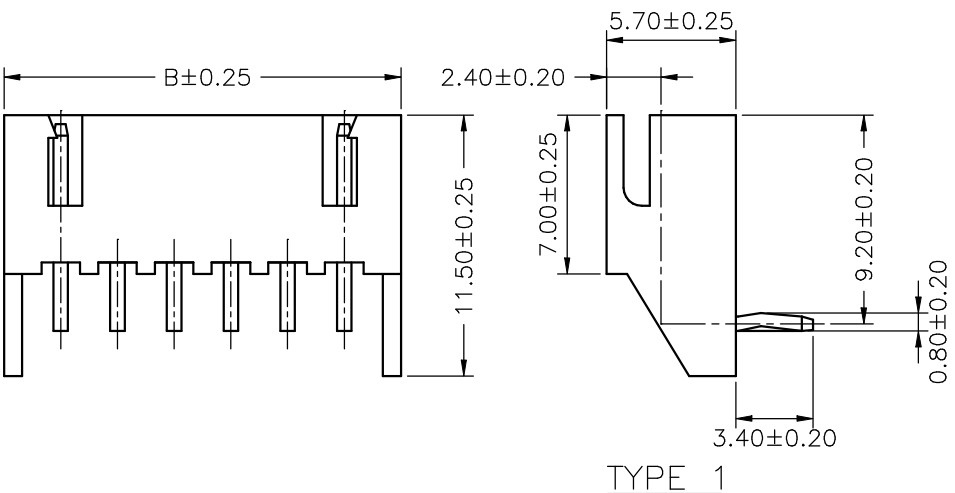
SPECIFICATIONS
 Current Rating: 3A AC,DC
 Voltage Rating: 250V AC,DC
 Temperature Range: -25°C ~ +85°C
 Contact Resistance: 10mΩ Max
 Insulation Resistance: 1000MΩ Min
 Withstanding Voltage: 1000V AC/minute
 Pin Material: Brass/Tin-plated
 Material: Nylon 66,UL94V-0
 Color: Natural(White)

Ordering Information:
A2501WR-XP-X
 1 Part No.
 2 Style:
 1-Type 1
 2-Type 2



Ordering Information & Dimensions

PART NO.	Dimensions	
	A	B
A2501WR-2P	2.50	7.50
A2501WR-3P	5.00	10.00
A2501WR-4P	7.50	12.50
A2501WR-5P	10.00	15.00
A2501WR-6P	12.50	17.50
A2501WR-7P	15.00	20.00
A2501WR-8P	17.50	22.50
A2501WR-9P	20.00	25.00
A2501WR-10P	22.50	27.50
A2501WR-11P	25.00	30.00
A2501WR-12P	27.50	32.50
A2501WR-13P	30.00	35.00
A2501WR-14P	32.50	37.50
A2501WR-15P	35.00	40.00
A2501WR-16P	37.50	42.50
A2501WR-17P	40.00	45.00
A2501WR-18P	42.50	47.50
A2501WR-19P	45.00	50.00
A2501WR-20P	47.50	52.50



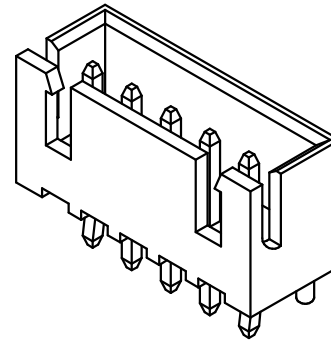
CJT® CHANGJIANG CONNECTORS CO., LTD.
 CHANGJIANG CONNECTORS

Specification			
Client:		Drawing No: A2501WR-NP	
Tolerance	Draw By: LIZhiQiang	Date: 2008-05-15	Unit:mm Scale:Enone
X. X ≤ 0.25	Checked: HE.	Date: 2008-05-15	
X. XX ≤ 0.15	Approved:	Date:	
X. XXX ≤ 0.10	Material:	Edition: A	

REV	DATE	DESCRIPTION	REVISOR
1.0			

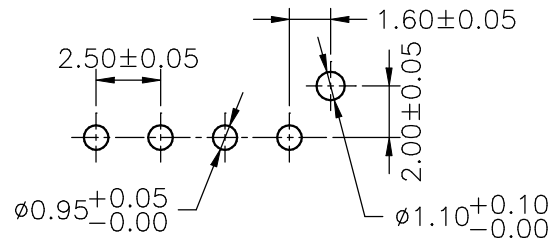
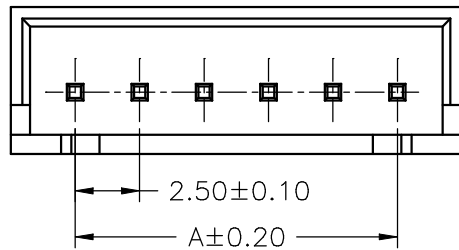
SPECIFICATIONS

Current Rating: 3A AC,DC
Voltage Rating: 250V AC,DC
Temperature Range: -25°C ~ +85°C
Contact Resistance: 10mΩ Max
Insulation Resistance: 1000MΩ Min
Withstanding Voltage: 1000V AC/minute
Pin Material: Brass/Tin-plated
Material: Nylon 66,UL94V-0
Color: Natural(White)

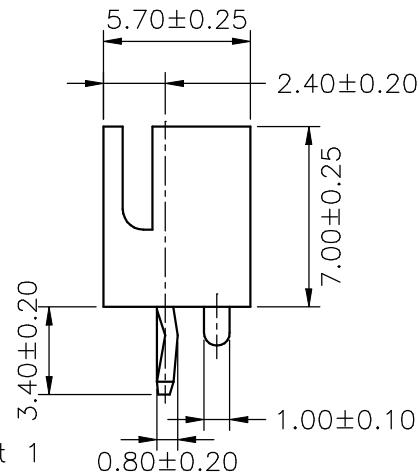
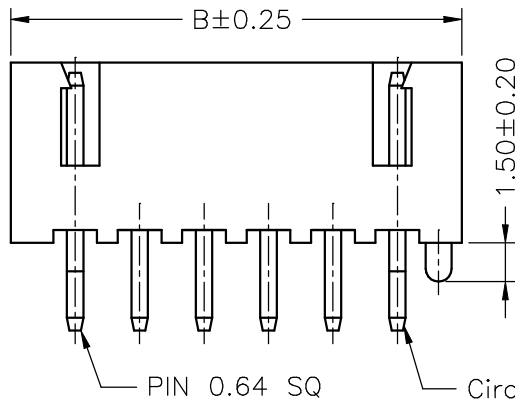


Ordering Information & Dimensions

PART NO.	Dimensions	
	A	B
A2501WV-F-2P	2.50	7.50
A2501WV-F-3P	5.00	10.00
A2501WV-F-4P	7.50	12.50
A2501WV-F-5P	10.00	15.00
A2501WV-F-6P	12.50	17.50
A2501WV-F-7P	15.00	20.00
A2501WV-F-8P	17.50	22.50
A2501WV-F-9P	20.00	25.00
A2501WV-F-10P	22.50	27.50
A2501WV-F-11P	25.00	30.00
A2501WV-F-12P	27.50	32.50
A2501WV-F-13P	30.00	35.00
A2501WV-F-14P	32.50	37.50
A2501WV-F-15P	35.00	40.00
A2501WV-F-16P	37.50	42.50
A2501WV-F-17P	40.00	45.00
A2501WV-F-18P	42.50	47.50
A2501WV-F-19P	45.00	50.00
A2501WV-F-20P	47.50	52.50



P.C.B LAYOUT

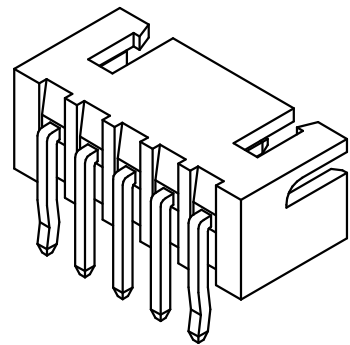


CJT[®] CHANGJIANG CONNECTORS CO., LTD.
CHANGJIANG CONNECTORS

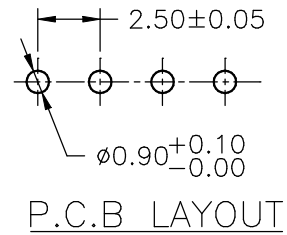
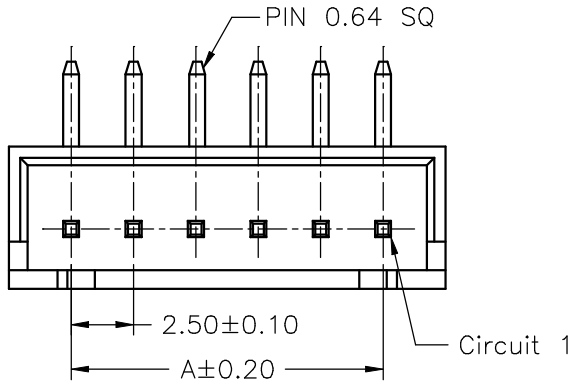
Specification

Client:		Drawing No: A2501WV-F-NP	
Tolerance	Draw By: LIZhiQiang	Date: 2008-05-15	Unit:mm Scale:Enone
X. X ≤ 0.25	Checked: HE.	Date: 2008-05-15	
X. XX ≤ 0.15	Approved:	Date:	
X. XXX ≤ 0.10	Material:	Edition: A	

REV	DATE	DESCRIPTTON	REVISER
1.0			



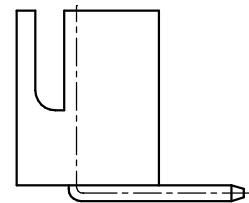
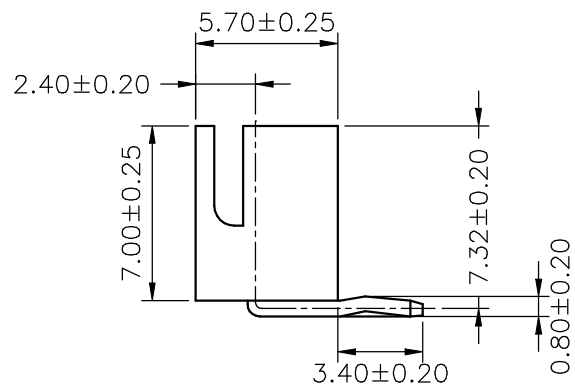
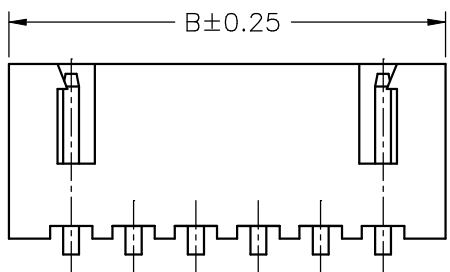
SPECIFICATIONS
 Current Rating: 3A AC,DC
 Voltage Rating: 250V AC,DC
 Temperature Range: -25°C ~ +85°C
 Contact Resistance: 10mΩ Max
 Insulation Resistance: 1000MΩ Min
 Withstanding Voltage: 1000V AC/minute
 Pin Material: Brass/Tin-plated
 Material: Nylon 66,UL94V-0
 Color: Natural(White)



Ordering Information:
A2501WVR-XP-X
 1 2
 1.Part No.
 2.Style:
 1-Type 1
 2-Type 2

Ordering Information & Dimensions

PART NO.	Dimensions	
	A	B
A2501WVR-2P	2.50	7.50
A2501WVR-3P	5.00	10.00
A2501WVR-4P	7.50	12.50
A2501WVR-5P	10.00	15.00
A2501WVR-6P	12.50	17.50
A2501WVR-7P	15.00	20.00
A2501WVR-8P	17.50	22.50
A2501WVR-9P	20.00	25.00
A2501WVR-10P	22.50	27.50
A2501WVR-11P	25.00	30.00
A2501WVR-12P	27.50	32.50
A2501WVR-13P	30.00	35.00
A2501WVR-14P	32.50	37.50
A2501WVR-15P	35.00	40.00
A2501WVR-16P	37.50	42.50
A2501WVR-17P	40.00	45.00
A2501WVR-18P	42.50	47.50
A2501WVR-19P	45.00	50.00
A2501WVR-20P	47.50	52.50



TYPE 2

TYPE 1



Specification

Client:		Drawing No: A2501WVR-NP	
Tolerance	Draw By: LIZhiQiang	Date: 2008-05-15	Unit:mm Scale:Enone
X.X ≤ 0.25	Checked: HE.	Date: 2008-05-15	
X.XX ≤ 0.15	Approved:	Date:	
X.XXX ≤ 0.10	Material:	Edition: A	