

## SPECIFICATIONS

Current Rating: 1A AC,DC

Voltage Rating: 1400V AC,DC

Temperature Range:  $-25^{\circ}\text{C} \sim +85^{\circ}\text{C}$

Contact Resistance:  $10\text{m}\Omega$  Max

Insulation Resistance:  $1000\text{M}\Omega$  Min

Withstanding Voltage: 3800V AC/minute

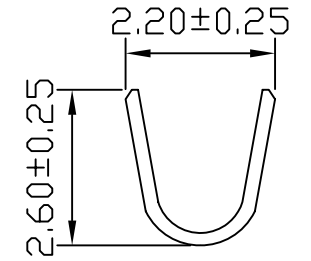
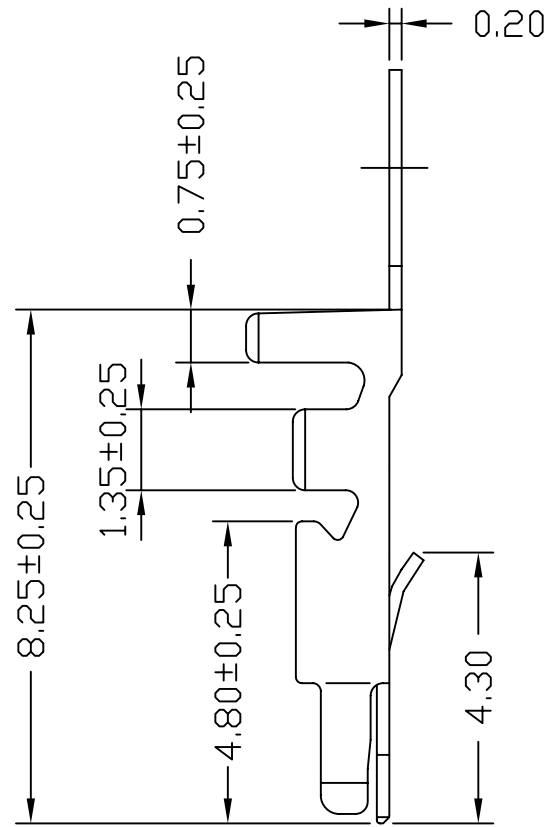
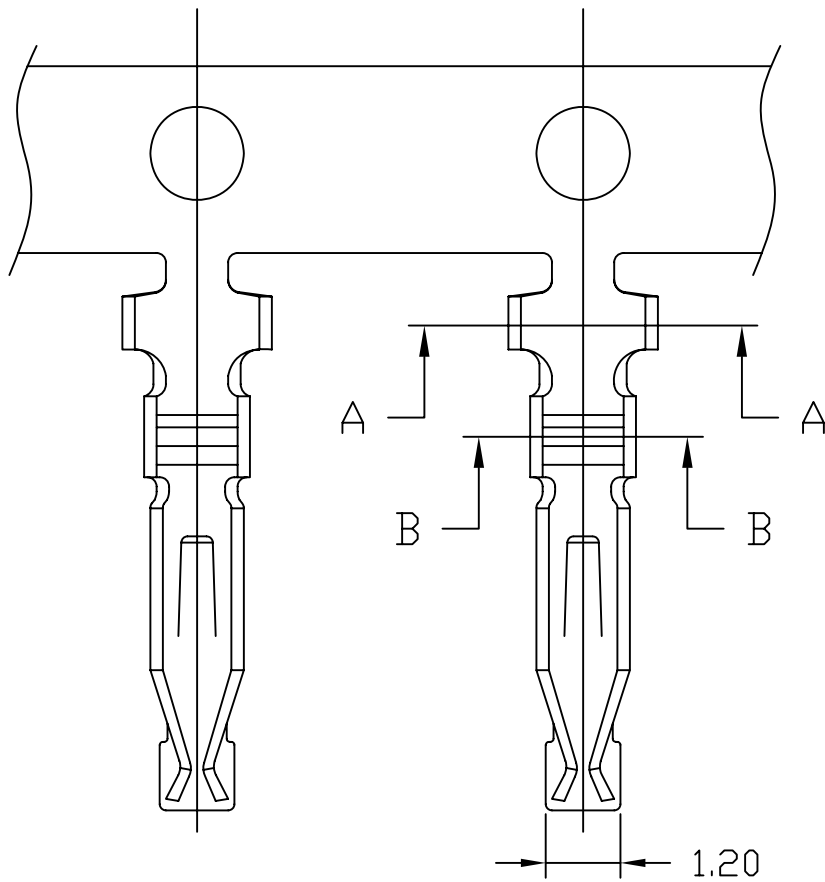
Material: Nylon 66,UL94V-0

## Ordering Information & Dimensions

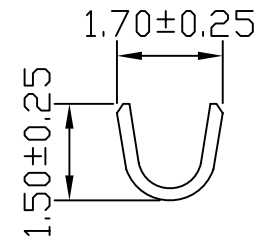
PART NO.	Dimensions	
	A	B
A6525HA-2P	6.50	11.50
A6525HA-3P	9.00	14.00
A6525HA-4P	11.50	16.50
A6525HA-5P	14.00	19.00

Unit: mm

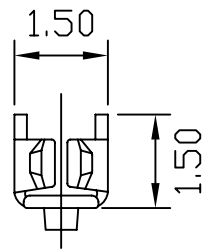
<b>CJT</b> <sup>®</sup> CHANGJIANG CONNECTORS CO.,LTD. <small>CHANGJIANG CONNECTORS</small>		
Unit mm	Scale Enone	Sheet 1 of 1
Draw BY LIZQ	Approved GONGYB	Title : 6.50~2.50mm PITCH
General Toerance		CRIMP TERMINAL
AD	NEW RELEASE	2009.05.10
REV	DESCRIPTION	DATE
		ANGLE± ⊕
		DRAW NO 'A6525HA-NP
		REV AD

SEC:A-A



SEC:B-B



Ordering Information & Specifications

Unit:mm

Part No	Wire Range	Insulation O.D.	Material	Finish	Qty/reel
A6525-TP	AWG#24-#28	1.60mm(max)	Phosphor Bronze	Tin-plated	10,000 PCS
A6525-GP	AWG#24-#28	1.60mm(max)	Phosphor Bronze	Gold-flash	10,000 PCS

Note:stamping before Tin-plated

**CJT**® CHANGJIANG CONNECTORS CO.,LTD.  
CHANGJIANG CONNECTORS

Unit	Scale	Sheet
mm	Enone	1 of 1

Title :  
6.50~2.50mm PITCH

Draw BY	Approved :
LIZQ	GONGYB

CRIMP TERMINAL

General Toerance

AD	NEW RELEASE	2009.05.10	x.x±0.35	ANGLE± ⊕
REV	DESCRIPTION	DATE	x.xx±0.25 x.xxx±0.15	

DRAW NO : A6525-T REV AD