
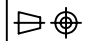
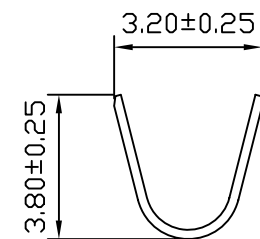
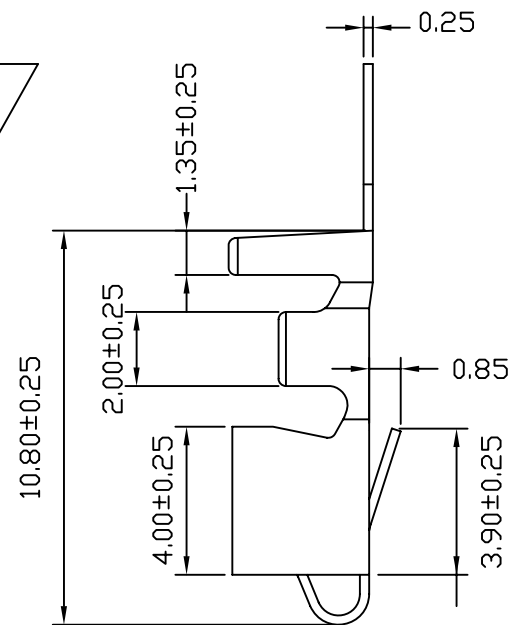
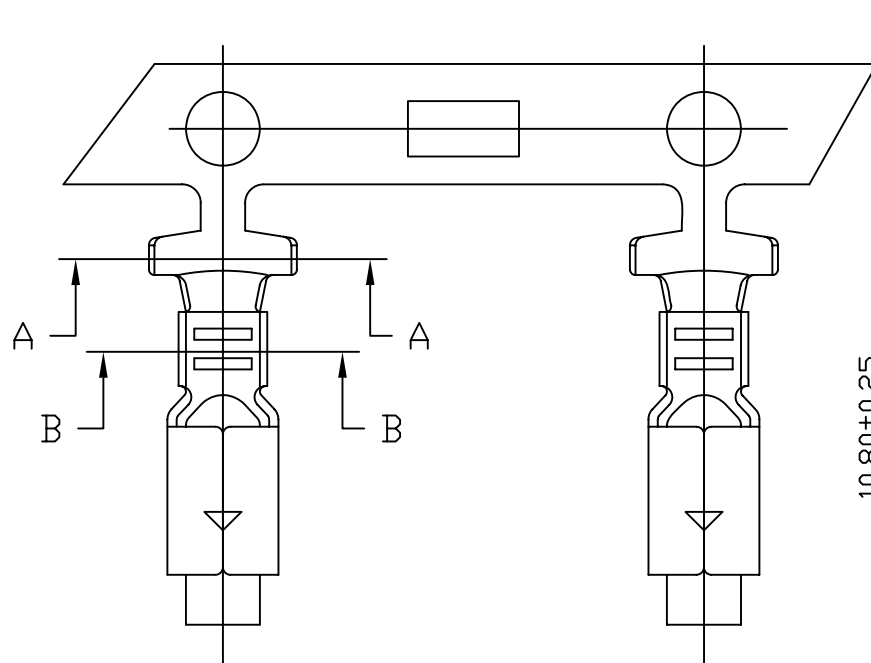


SPECIFICATIONS

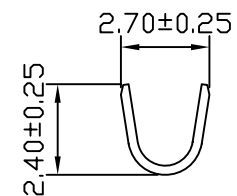
Current Rating: 7A AC,DC
 Voltage Rating: 250V AC,DC
 Temperature Range: -25°C ~ +85°C
 Contact Resistance: 10mΩ Max
 Insulation Resistance: 1000MΩ Min
 Withstanding Voltage: 1500V AC/minute
 Pin Material: Brass/Tin-plated
 Material: Nylon 66,UL94V-0

 CHANGJIANG CONNECTORS CO.,LTD.			Unit		Title :	
			mm	Enone	7.92mm PITCH	
Sheet			Draw BY		Approved :	
1 of 1			LIZQ		GONGYB	
General Toerance			ANGLE±			
AD			NEW RELEEASE		DRAW NO 'A7921H-XP	
REV			DESCRIPTION		REV	
			DATE		AD	

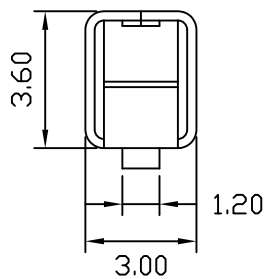
			x.x±0.35	
			x.xx±0.25	
			x.xxx±0.15	



SEC:A-A



SEC:B-B



Ordering Information & Specifications

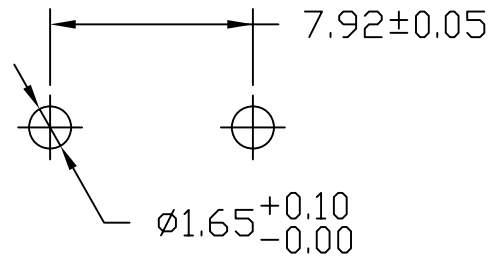
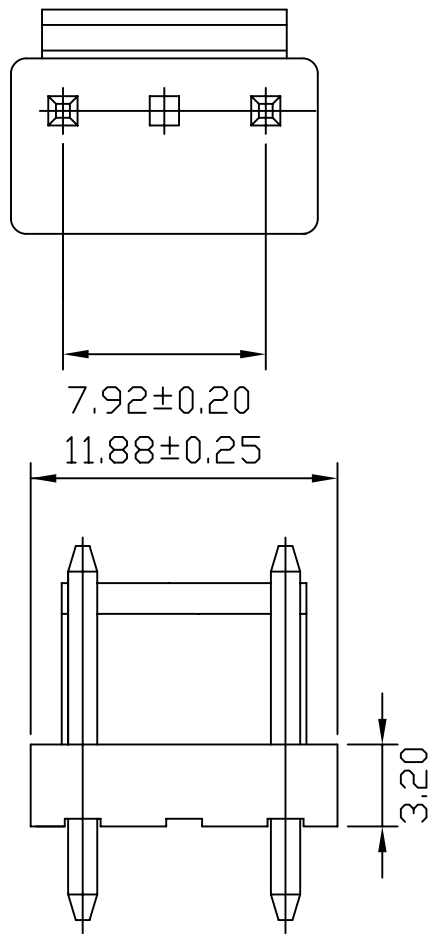
Part No	Wire Range	Insulation O.D.	Material	Finish	Qty/reel
A7921-TB	AWG#18-#22	3.00mm(max)	Brass	Tin-plated	4,000 PCS
A7921-GP	AWG#18-#22	3.00mm(max)	Phosphor Bronze	Gold-flash	4,000 PCS
A7921-TP	AWG#18-#22	3.00mm(max)	Phosphor Bronze	Tin-plated	4,000 PCS

Note:stamping before Tin-plated

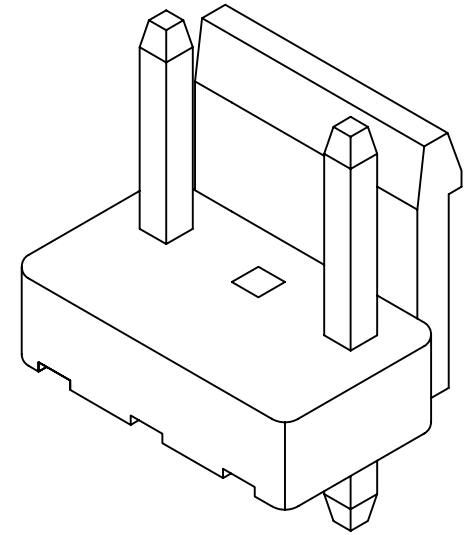
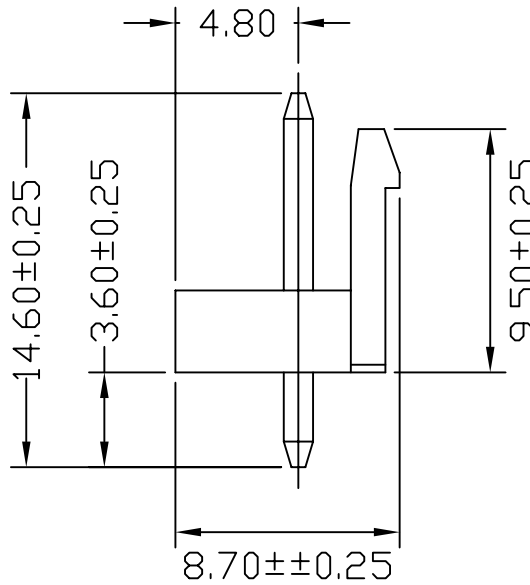
Unit:mm

CJT[®] CHANGJIANG CONNECTORS CO.,LTD.
CHANGJIANG CONNECTORS

Unit mm	Scale Enone	Sheet 1 of 1	Title : 3.96mm PITCH CRIMP TERMINAL
Draw BY LIZQ	Approved : GONGYB		
General Tolerance			
AD	NEW RELEASE	2009.05.10	x.x±0.35 x.xx±0.25 x.xxx±0.15
REV	DESCRIPTION	DATE	ANGLE± ▽⊙
DRAW NO : A7921-T			REV AD




P.C.B LAYOUT



SPECIFICATIONS

Current Rating: 7A AC,DC
 Voltage Rating: 250V AC,DC
 Temperature Range: -25°C ~ +85°C
 Contact Resistance: 10mΩ Max
 Insulation Resistance: 1000MΩ Min
 Withstanding Voltage: 1500V AC/minute
 Pin Material: Brass/Tin-plated
 Material: Nylon 66,UL94V-0

 CHANGJIANG CONNECTORS CO.,LTD.			Title :		
Unit	Scale	Sheet	7.92mm PITCH		
mm	Enone	1 of 1			
Draw BY	Approved :		180° WAFER		
LIZQ	GONGYB				
General Toerance			DRAW NO : A7921WV-2P		
x.x±0.35	ANGLE±				
x.xx±0.25	⊕				
REV	DESCRIPTION	DATE	x.xxx±0.15	REV	AD

AD	NEW RELEASE	2009.05.10
REV	DESCRIPTION	DATE