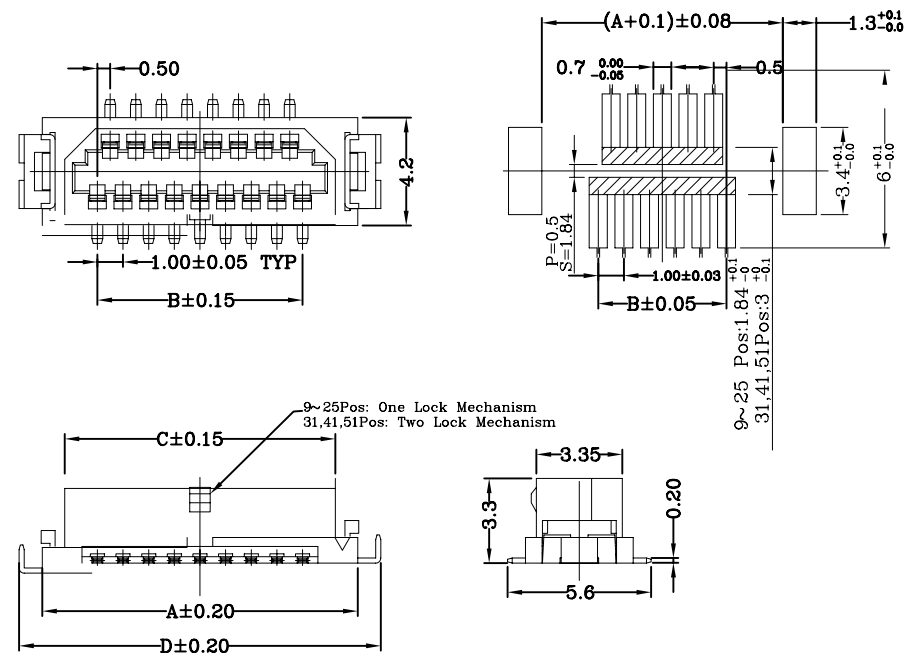


REV	DATE	DESCRIPTON	REVISER
1.0			



Material: Insulator: Nylon 6T UL 94V-0  
Ordering Information & Dimensions

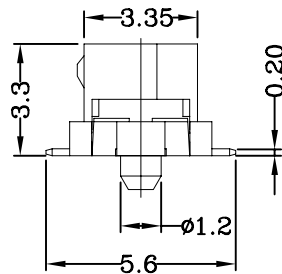
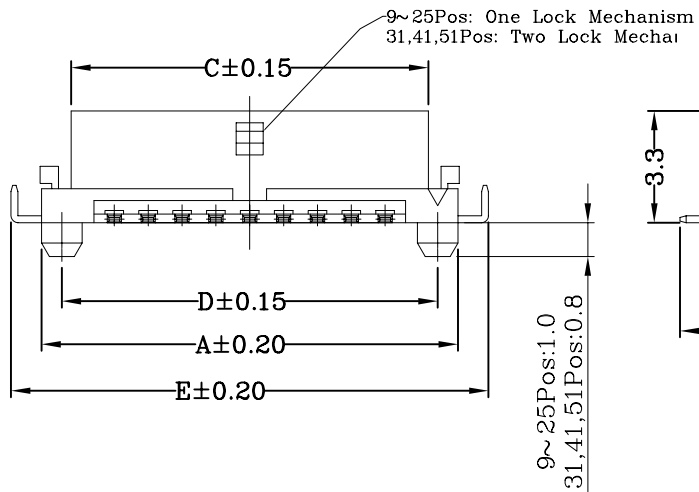
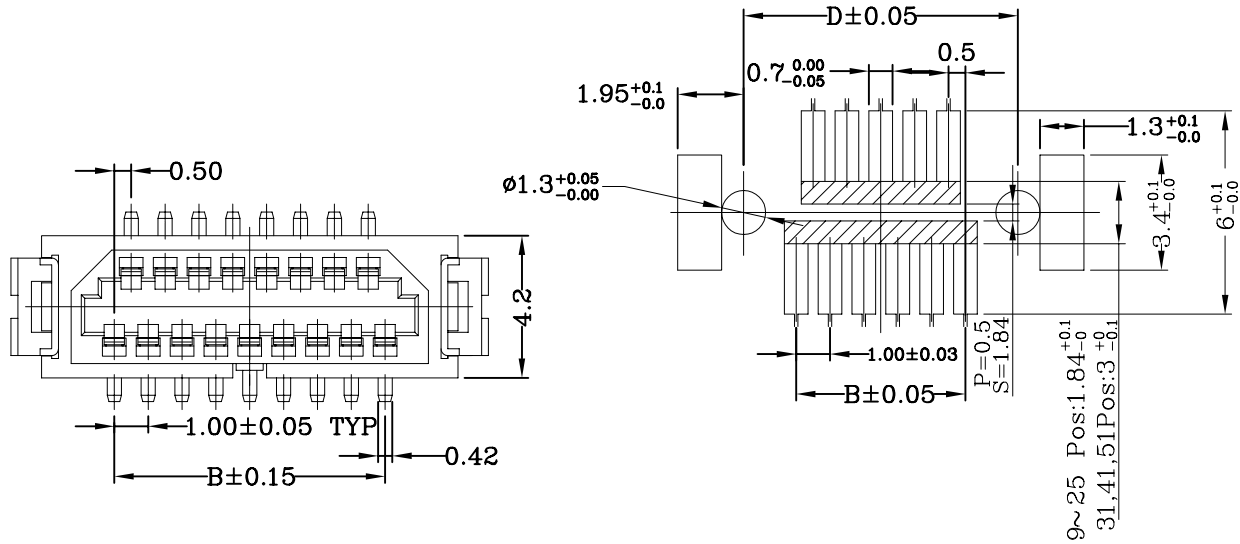
PART NO.	Dimensions			
	A	B	C	D
B1000H-9PS	8.30	4.00	6.55	10.10
B1000H-11PS	9.30	5.00	7.55	11.10
B1000H-13PS	10.30	6.00	8.55	12.10
B1000H-15PS	11.30	7.00	9.55	13.10
B1000H-17PS	12.30	8.00	10.55	14.10
B1000H-19PS	13.30	9.00	11.55	15.10
B1000H-21PS	14.30	10.00	12.55	16.10
B1000H-23PS	15.30	11.00	13.55	17.10
B1000H-25PS	16.30	12.00	14.55	18.10
B1000H-31PS	19.30	15.00	17.55	21.10
B1000H-41PS	24.30	20.00	22.55	26.10
B1000H-51PS	29.30	25.00	27.55	31.10

**CJT**® CHANGJIANG CONNECTORS CO., LTD.  
CHANGJIANG CONNECTORS

### Specification

Client:		Drawing No: B1000H-NP	
Tolerance	Draw By: LIZhiQiang	Date: 2008-05-27	Unit:mm Scale:Enone
X. X ≤ 0.25	Checked: HE.	Date: 2008-05-27	
X. XX ≤ 0.15	Approved:	Date:	
X. XXX ≤ 0.10	Material:	Edition: A	

REV	DATE	DESCRIPTION	REVISOR
1.0			



Material: Insulator: Nylon 6T UL 94V-0  
Ordering Information & Dimensions

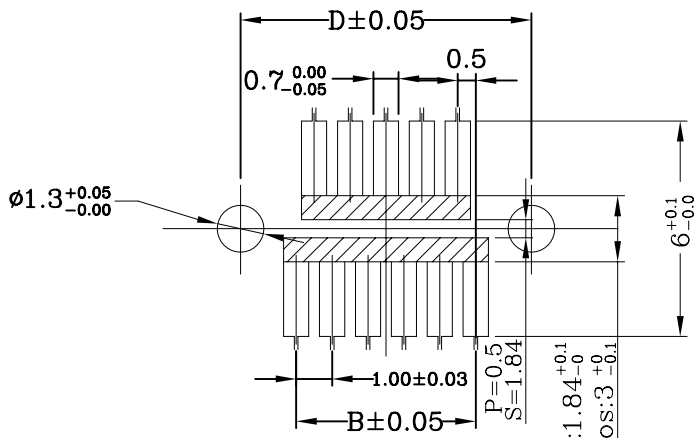
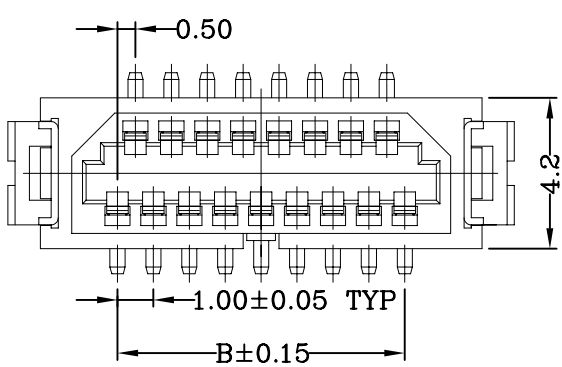
PART NO.	Dimensions				
	A	B	C	D	E
B1000H-9PS-BS	8.30	4.00	6.55	7.10	10.10
B1000H-11PS-BS	9.30	5.00	7.55	8.10	11.10
B1000H-13PS-BS	10.30	6.00	8.55	9.10	12.10
B1000H-15PS-BS	11.30	7.00	9.55	10.10	13.10
B1000H-17PS-BS	12.30	8.00	10.55	11.10	14.10
B1000H-19PS-BS	13.30	9.00	11.55	12.10	15.10
B1000H-21PS-BS	14.30	10.00	12.55	13.10	16.10
B1000H-23PS-BS	15.30	11.00	13.55	14.10	17.10
B1000H-25PS-BS	16.30	12.00	14.55	15.10	18.10
B1000H-31PS-BS	19.30	15.00	17.55	18.10	21.10
B1000H-41PS-BS	24.30	20.00	22.55	23.10	26.10
B1000H-51PS-BS	29.30	25.00	27.55	28.10	31.10

**CJT**® CHANGJIANG CONNECTORS CO., LTD.  
CHANGJIANG CONNECTORS

### Specification

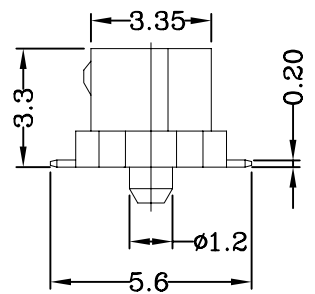
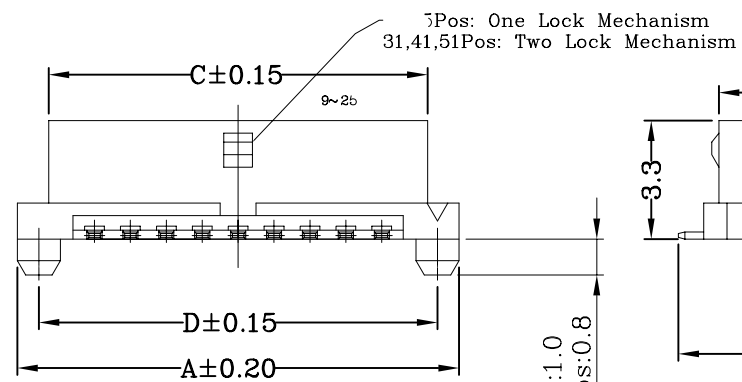
Client:		Drawing No: B1000H-NP-BS	
Tolerance	Draw By: LIZhiQiang	Date: 2008-05-27	Unit:mm Scale:Enone
X. X ≤ 0.25	Checked: HE.	Date: 2008-05-27	
X. XX ≤ 0.15	Approved:	Date:	
X. XXX ≤ 0.10	Material:	Edition: A	

REV	DATE	DESCRIPTION	REVISER
1.0			



Material: Insulator: Nylon 6T UL 94V-0  
 Ordering Information & Dimensions

PART NO.	Dimensions			
	A	B	C	D
B1000H-9PS-BS-NM	8.30	4.00	6.55	7.10
B1000H-11PS-BS-NM	9.30	5.00	7.55	8.10
B1000H-13PS-BS-NM	10.30	6.00	8.55	9.10
B1000H-15PS-BS-NM	11.30	7.00	9.55	10.10
B1000H-17PS-BS-NM	12.30	8.00	10.55	11.10
B1000H-19PS-BS-NM	13.30	9.00	11.55	12.10
B1000H-21PS-BS-NM	14.30	10.00	12.55	13.10
B1000H-23PS-BS-NM	15.30	11.00	13.55	14.10
B1000H-25PS-BS-NM	16.30	12.00	14.55	15.10
B1000H-31PS-BS-NM	19.30	15.00	17.55	18.10
B1000H-41PS-BS-NM	24.30	20.00	22.55	23.10
B1000H-51PS-BS-NM	29.30	25.00	27.55	28.10



9~25Pos: 1.0  
 31,41,51Pos: 0.8

9~25 Pos: 1.84<sup>+0.1</sup><sub>-0</sub>  
 31,41,51Pos: 3<sup>+0</sup><sub>-0.1</sub>



### Specification

Client:		Drawing No: B1000H-NP-BS-NM	
Tolerance	Draw By: LIZhiQiang	Date: 2008-05-27	Unit:mm Scale:Enone
X. X ≤ 0.25	Checked: HE.	Date: 2008-05-27	
X. XX ≤ 0.15	Approved:	Date:	
X. XXX ≤ 0.10	Material:	Edition: A	