
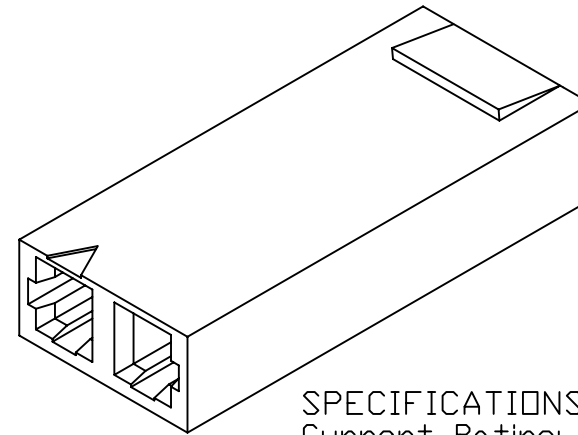
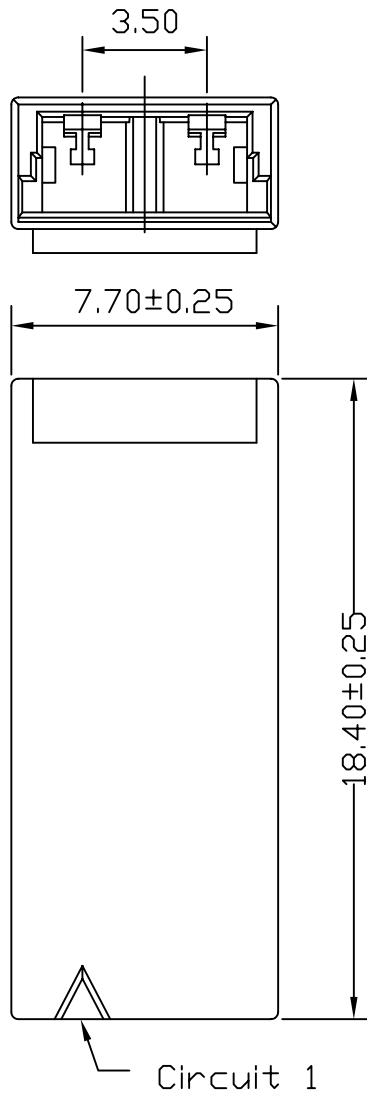


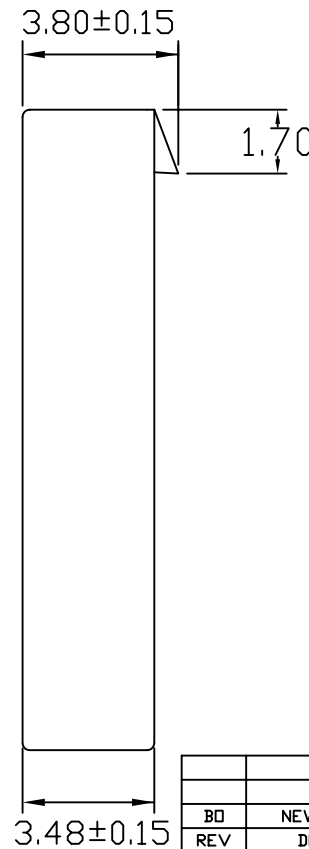
**SPECIFICATIONS**  
 Current Rating: 1A AC,DC  
 Voltage Rating: 1400V AC,DC  
 Temperature Range: -25°C ~ +85°C  
 Contact Resistance: 10mΩ Max  
 Insulation Resistance: 1000MΩ Min  
 Withstanding Voltage: 3800V AC/minute  
 Material: Nylon 66,UL94V-0

 <b>CHANGJIANG CONNECTORS CO.,LTD.</b>			
Unit	Scale	Sheet	Title :
mm	Enone	1 of 1	
Draw BY	Approved :		3.50mm PITCH
LIZQ	GONGYB		
General Toerance			HOUSING
		ANGLE±	
BD	NEW RELEASE	2005.05.10	DRAW NO : A3501H-2P
REV	DESCRIPTION	DATE	
			REV A1

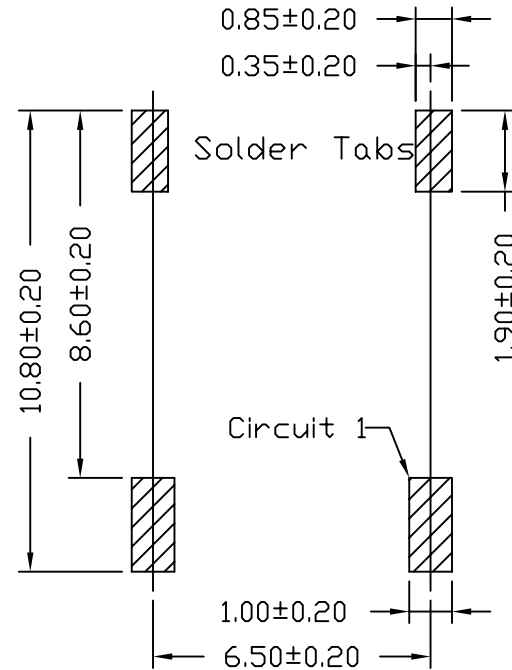
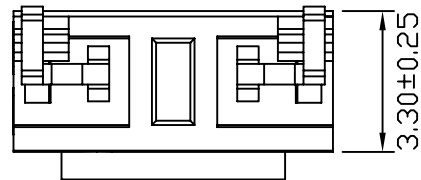
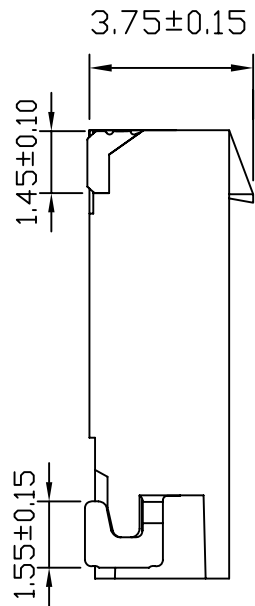
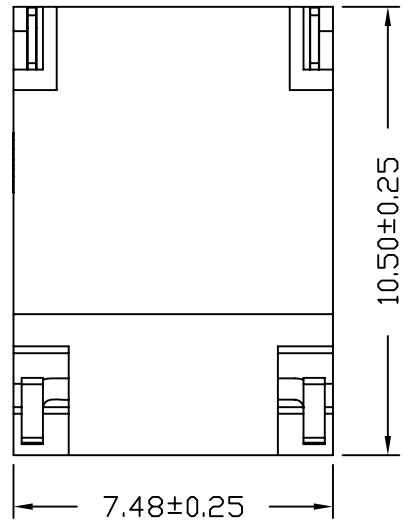
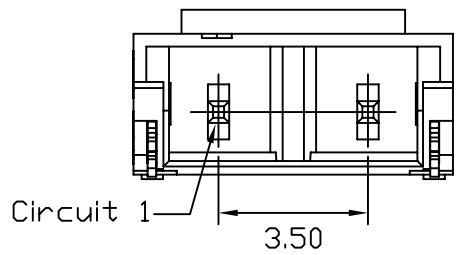


**SPECIFICATIONS**

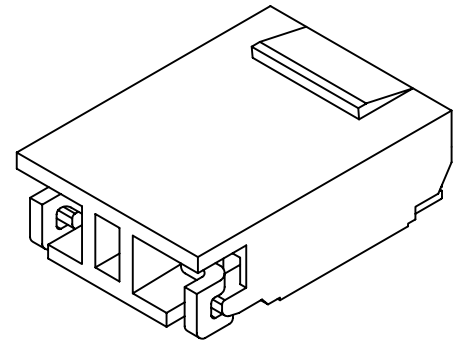
Current Rating: 1A AC,DC  
 Voltage Rating: 1400V AC,DC  
 Temperature Range: -25°C ~ +85°C  
 Contact Resistance: 10mΩ Max  
 Insulation Resistance: 1000MΩ Min  
 Withstanding Voltage: 3800V AC/minute  
 Material: Nylon 66,UL94V-0



<b>CJT</b> <sup>®</sup> CHANGJIANG CONNECTORS CO.,LTD.			
Unit	Scale	Sheet	Title :
mm	Enone	1 of 1	
Draw BY	Approved :		3.50mm PITCH
LIZQ	GONGYB		
General Toerance			HOUSING
x.x $\phi$ 0.25	ANGLE $\pm$		
x.xx $\phi$ 0.15			DRAW NO : A3501AHM-2P
x.xx $\phi$ 0.10			
BD	NEW RELEEASE	2005.05.10	REV
REV	DESCRIPTION	DATE	A1



P.C.B LAYOUT

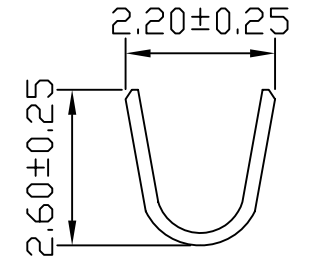
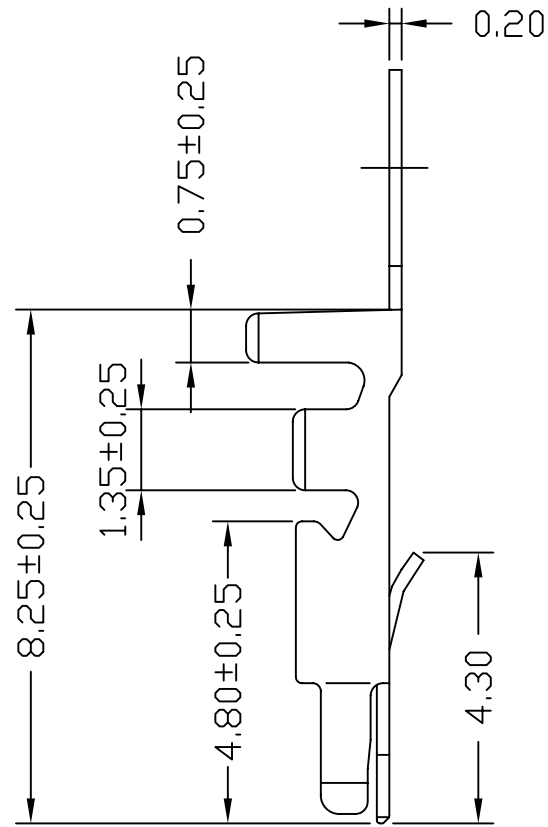
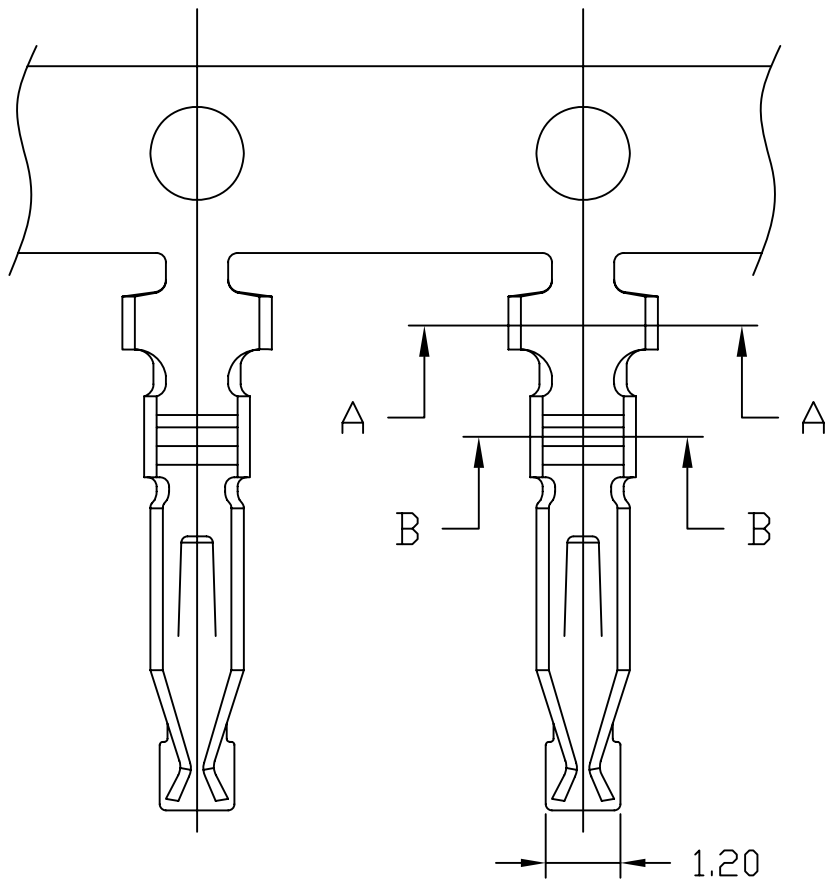


SPECIFICATIONS  
 Current Rating: 1A AC,DC  
 Voltage Rating: 1400V AC,DC  
 Temperature Range: -25°C ~ +85°C  
 Contact Resistance: 10mΩ Max  
 Insulation Resistance: 1000MΩ Min  
 Withstanding Voltage: 3800V AC/minute  
 Pin Material: Brass/Tin-plated  
 Solder Tabs: Brass/Tin-plated  
 Material: Nylon 6T,UL94V-0

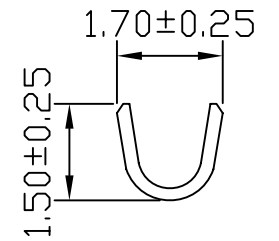
**CJT**<sup>®</sup> CHANGJIANG CONNECTORS CO.,LTD.  
CHANGJIANG CONNECTORS

Unit	Scale	Sheet	Title :
mm	Enone	1 of 1	
Draw BY	Approved :		
LIZQ	GONGYB		3.50mm PITCH
General Toerance			90° WAFER-SMT TYPE
BD	NEW RELEASE	2005.05.10	DRAW NO : A3501WR-S-2P
REV	DESCRIPTION	DATE	
			REV A1

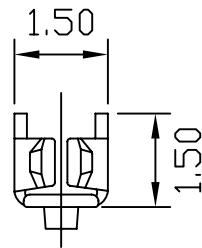
			x.x<0.35	ANGLE±
			x.xx<0.25	
			x.xxx<0.15	



SEC:A-A



SEC:B-B



Ordering Information & Specifications

Unit:mm

Part No	Wire Range	Insulation O.D.	Material	Finish	Qty/reel
A3501-TP	AWG#24-#28	1.60mm(max)	Phosphor Bronze	Tin-plated	10,000 PCS
A3501-GP	AWG#24-#28	1.60mm(max)	Phosphor Bronze	Gold-flash	10,000 PCS

Note:stamping before Tin-plated

**CJT**® CHANGJIANG CONNECTORS CO.,LTD.  
CHANGJIANG CONNECTORS

Unit	Scale	Sheet
mm	Enone	1 of 1

Title :  
3.50mm PITCH  
CRIMP TERMINAL

Draw BY	Approved :
LIZQ	GONGYB

General Tolerance

x.x $\phi$ 0.35	ANGLE $\pm$
x.xx $\phi$ 0.25	
x.xxx $\phi$ 0.15	

AD	NEW RELEASE	2005.05.10
REV	DESCRIPTION	DATE

DRAW NO : A3501-T REV AD