

# 張力檢出器 英國最高D3 等級檢出系統

**特點：**

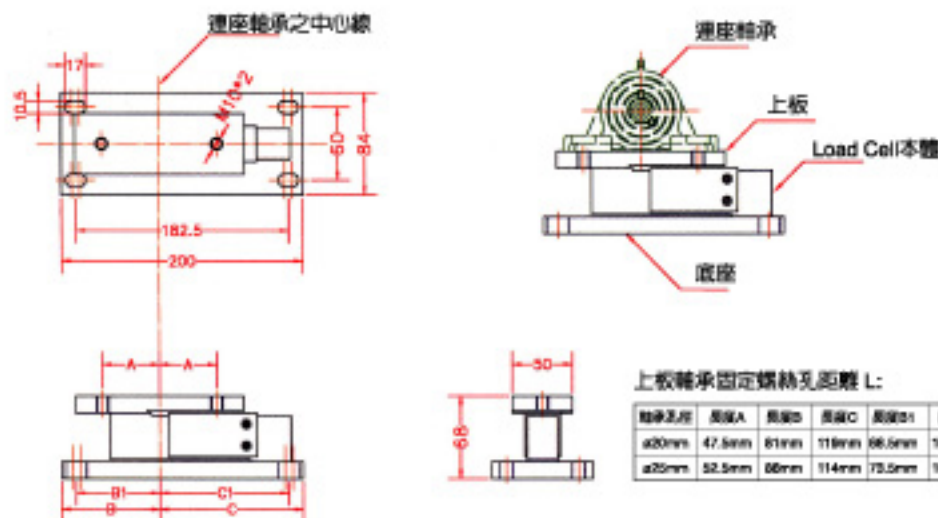
- 型式：5, 10, 20, 30, 50, 100kg 皆有共同尺寸。
- 特別規格：250, 450 kg。
- 精度： $\leq 0.025\%$  配對銷售 無須各別補正。
- 固定軸承：直徑20mm~25mm聯座軸承。
- 選用規格：30mm~40mm。

**Features:**

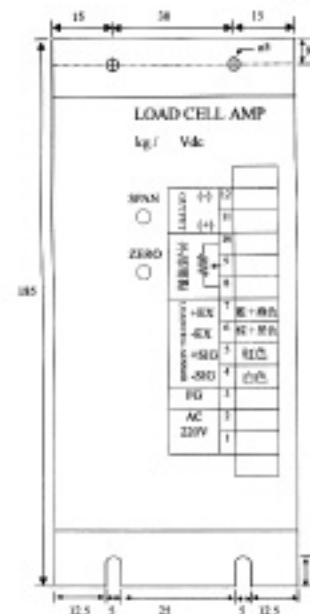
- Type: 5, 10, 20, 30, 50, 100kg etc.
- Special Type: 250, 450 kg
- Error:  $\leq 0.025\%$
- The diameter of Bearing & Housing: 20~25mm
- Option: 30~40mm



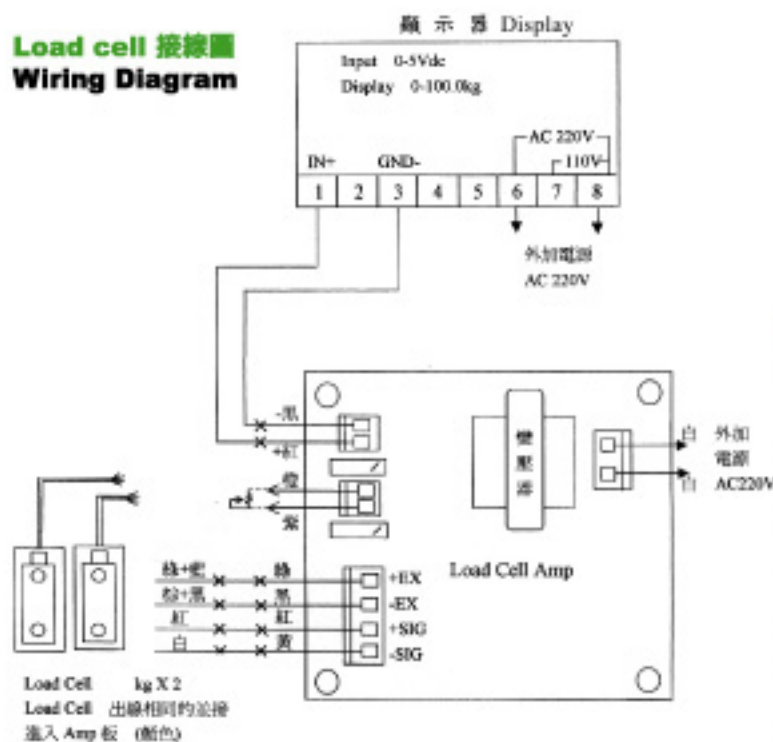
**連座軸承組立之側視示意圖**



**Load Cell AMP 外箱尺寸  
Dimension of casing**



**Load cell 接線圖  
Wiring Diagram**



**電器特性 Load cell amp without casing  
Electrical Characteristics**

Excitation voltages	Nominal 9.8V DC, within 60mA (5V, 8V DC available)
Gain adjustment range	1mv/v to 4 mv/v to obtain 5V D.C
Zero adjustment range	$\pm 0.75$ mv/v
Output voltage	5V DC or $\pm 5$ V DC at load over 1k $\Omega$
Output impedance	Lower 0.1 $\Omega$ (has a serial resistor 100 $\Omega$ to protect OSC)
Non-linearity	Within 0.015%
Response	100 ms typical (10 ms available)
Operating conditions	Temperature -5°C~+60°C
Power source	AC 220V $\pm 10\%$ , 50/60Hz, about 5 VA
Dimension	118(L) x 100 (W) x 40H (mm)
Weight	about 290 grams