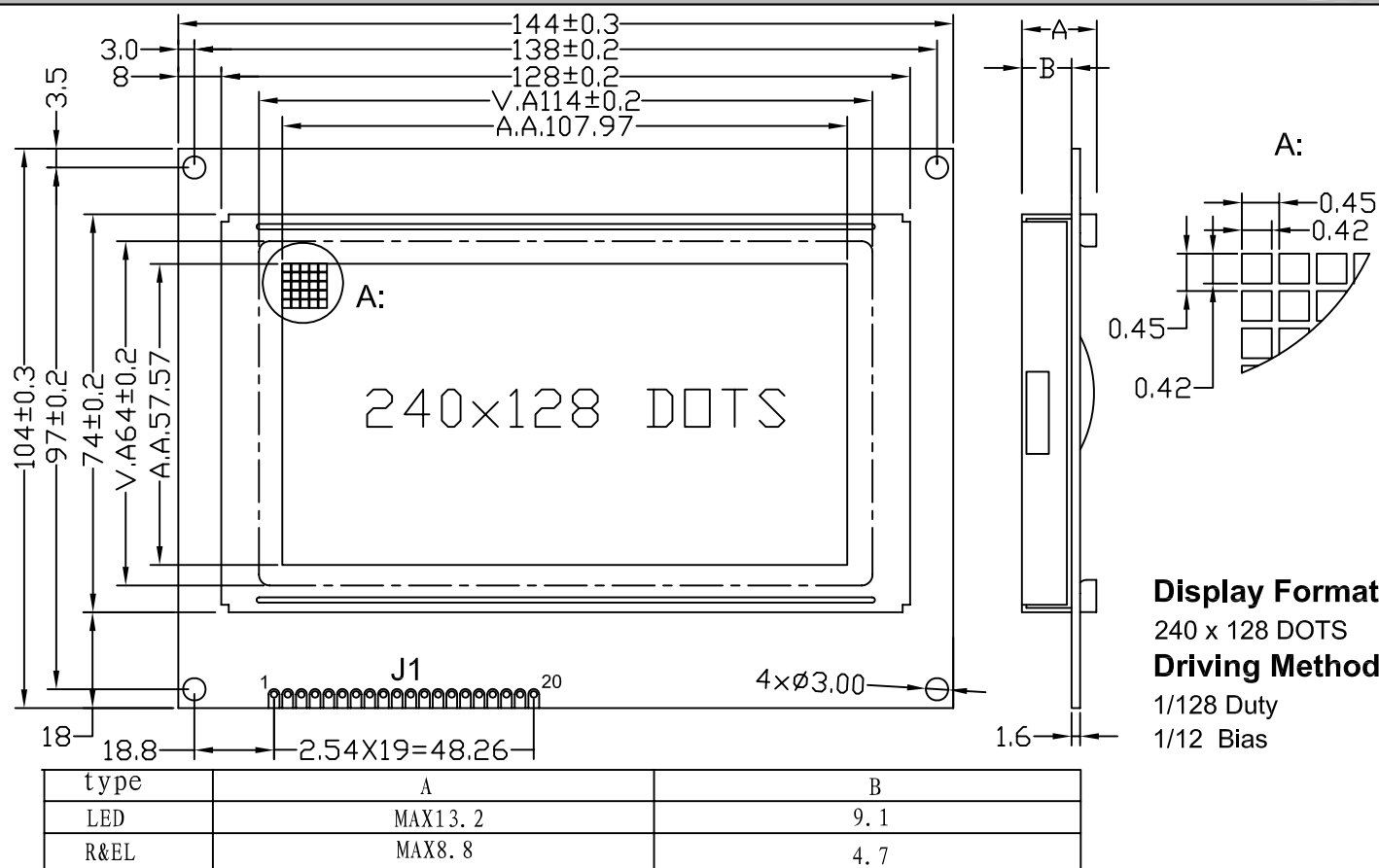


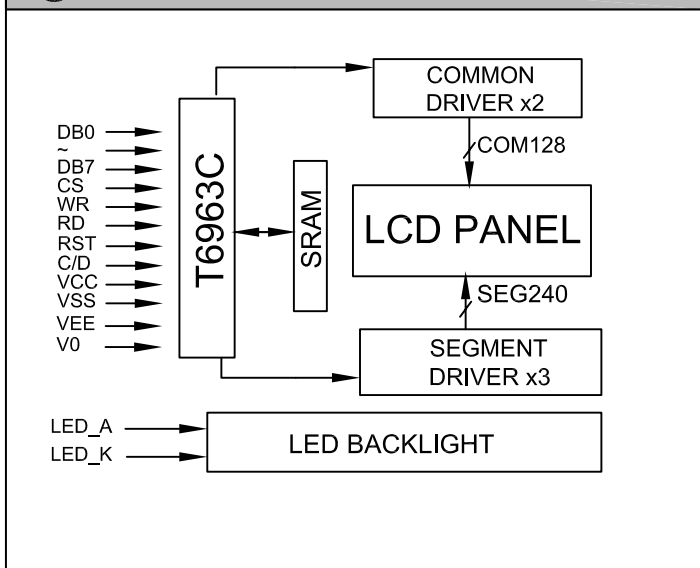
## ① PHYSICAL DIMENSION



## ② MECHANICAL DATA

ITEM	SPECIFICATION	UNIT
Module Size With B/L ( W X H X T )	144 X104 X13.2/8.8	mm
Viewing Area ( W X H )	114 X 64	mm
Number of Dots ( W X H )	240 X128	dots
Dot Pitch ( W X H )	0.45 X 0.45	mm
Dot Size ( W X H )	0.42 X 0.42	mm
Weight	100 (With B/L)	g

## ④ BLOCK DIAGRAM



## ③ PIN CONFIGURATION

ITEM	SYMBOL	DESCRIPTION	
1	FG	Frame Ground	
2	VSS	Power ground	
3	VCC	power positive(+5+10%)	
4	VO	Negative voltage Supply for LCD	
5	WR	Write signal	
6	RD	Read signal	
7	CS	Chip Select	
8	C/D	H:Data L:Instruction Code	
9	RST	System reset low active	
10	DB0	Data bus [0~7]. There state I/O common terminal.	
17	DB7		
18	FS		Font Select
19	VEE/A		Negative voltage supply/ Backlight Anode(+5V)
20	A/K		Backlight Anode(+5V) Backlight Cathode (0V)

## ⑤ ABSOLUTE MAXIMUM RATINGS (25°C)

PARAMETER	SYMBOL	MIN.	MAX.	UNIT
SUPPLY VOLTAGE LOGIC	VDD	0	5.5	V
SUPPLY VOLTAGE DRIVER	VDD-VEE	0	20	V
INPUT VOLTAGE	VIN	0	VDD	V