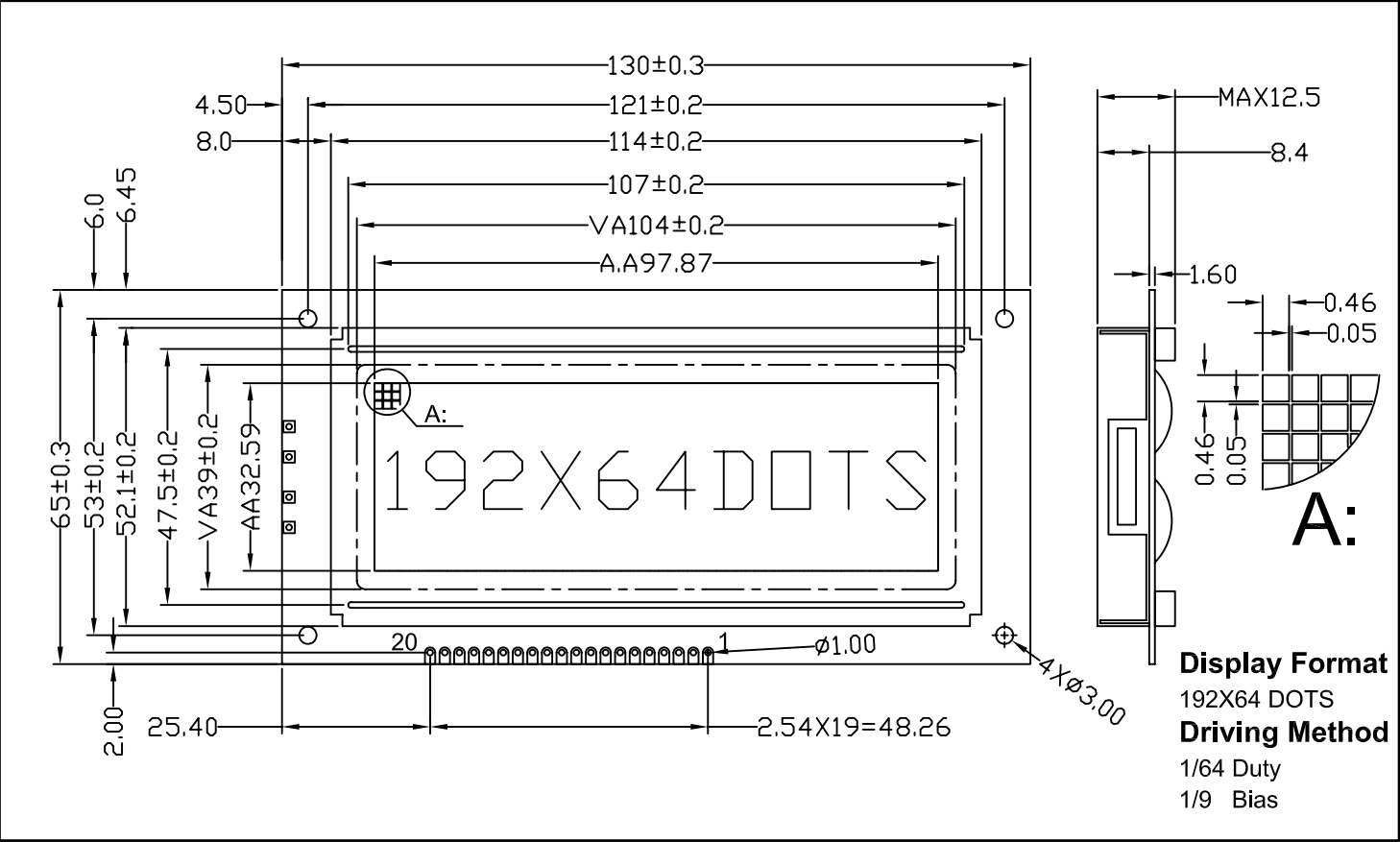


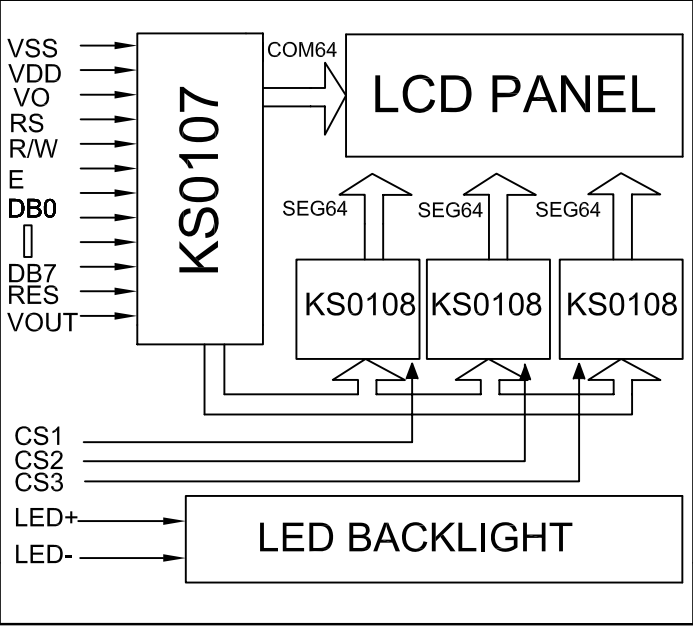
## ① PHYSICAL DIMENSION



## ② MECHANICAL DATA

| ITEM                               | SPECIFICATION       | UNIT |
|------------------------------------|---------------------|------|
| Module Size With B/L ( W X H X T ) | 130.0 X 65.0 X 12.5 | mm   |
| Viewing Area ( W X H )             | 104 X 39            | mm   |
| Number of Dots ( W X H )           | 192 X 64            | dots |
| Dot Pitch ( W X H )                | 0.51 X 0.51         | mm   |
| Dot Size ( W X H )                 | 0.46 X 0.46         | mm   |
| Weight                             | 90.0 (With B/L)     | g    |

## ④ BLOCK DIAGRAM



## ③ PIN CONFIGURATION

| ITEM | SYMBOL | DESCRIPTION   |                          |
|------|--------|---|--------------------------|
| 1    | VSS    | Power ground  |                          |
| 2    | VDD    | Power positive (+5V±10%).                           |                          |
| 3    | V0     | Operating voltage for LCD Driver(variable)          |                          |
| 4    | RS     | H:Data L:Instruction Code                           |                          |
| 5    | R/W    | Read/Write signal                                   |                          |
| 6    | E      | Enable trigger                                      |                          |
| 7    | DB0    | Data bus [0~7].<br>There state I/O common terminal. |                          |
| 14   | DB7    |   |                          |
| 15   | CS1    |   | Chip 1 Select Low Active |
| 16   | RES    |   | Reset Signal             |
| 17   | CS2    |   | Chip 2 Select Low Active |
| 18   | CS3    |   | Chip 3 Select Low Active |
| 19   | VOUT   |   | Negative Volt Output     |
| 20   | LED-A  |   | Backlight Anode(+5V).    |

## ⑤ ABSOLUTE MAXIMUM RATINGS (25°C)

| PARAMETER             | SYMBOL | MIN. | MAX. | UNIT |
|-----------------------|--------|------|------|------|
| SUPPLY VOLTAGE LOGIC  | VDD    | 0    | 5.5  | V    |
| SUPPLY VOLTAGE DRIVER | VDD-V0 | 0    | 15   | V    |
| INPUT VOLTAGE         | VIN    | 0    | VDD  | V    |