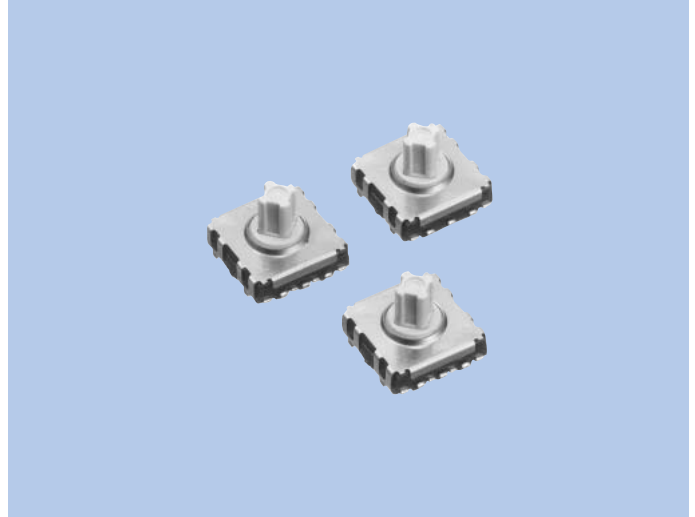


# Multi-Function Tactile Switches SOQ Series

## FEATURES

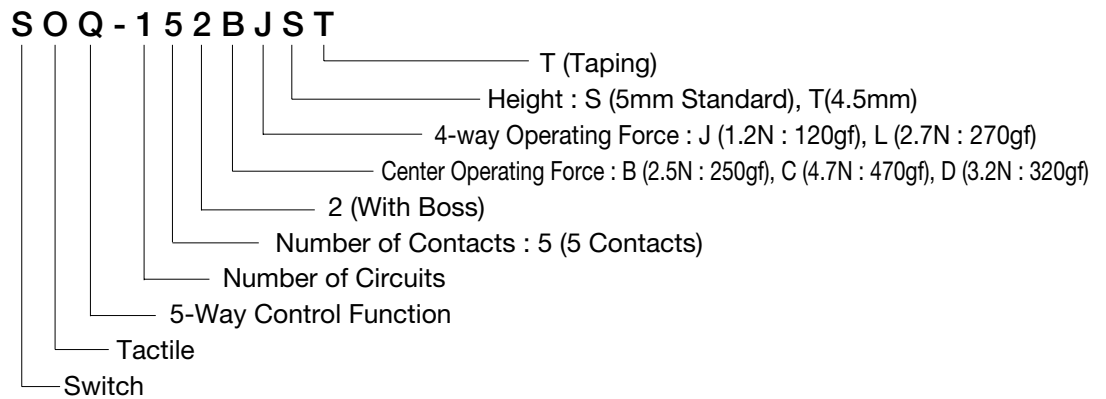
1. Minimized surface area (Just 6mm square).
2. Each circuit has 5 contacts to accommodate comparators.
3. Unique 2 layer construction to accommodate larger center click springs for longer service life.
4. Unique 4 way control function for enhanced tactile control sensations.



## USES

1. Mobile phones, Digital still camera, Game machines and PDA peripherals.

## MODEL NAME CODE



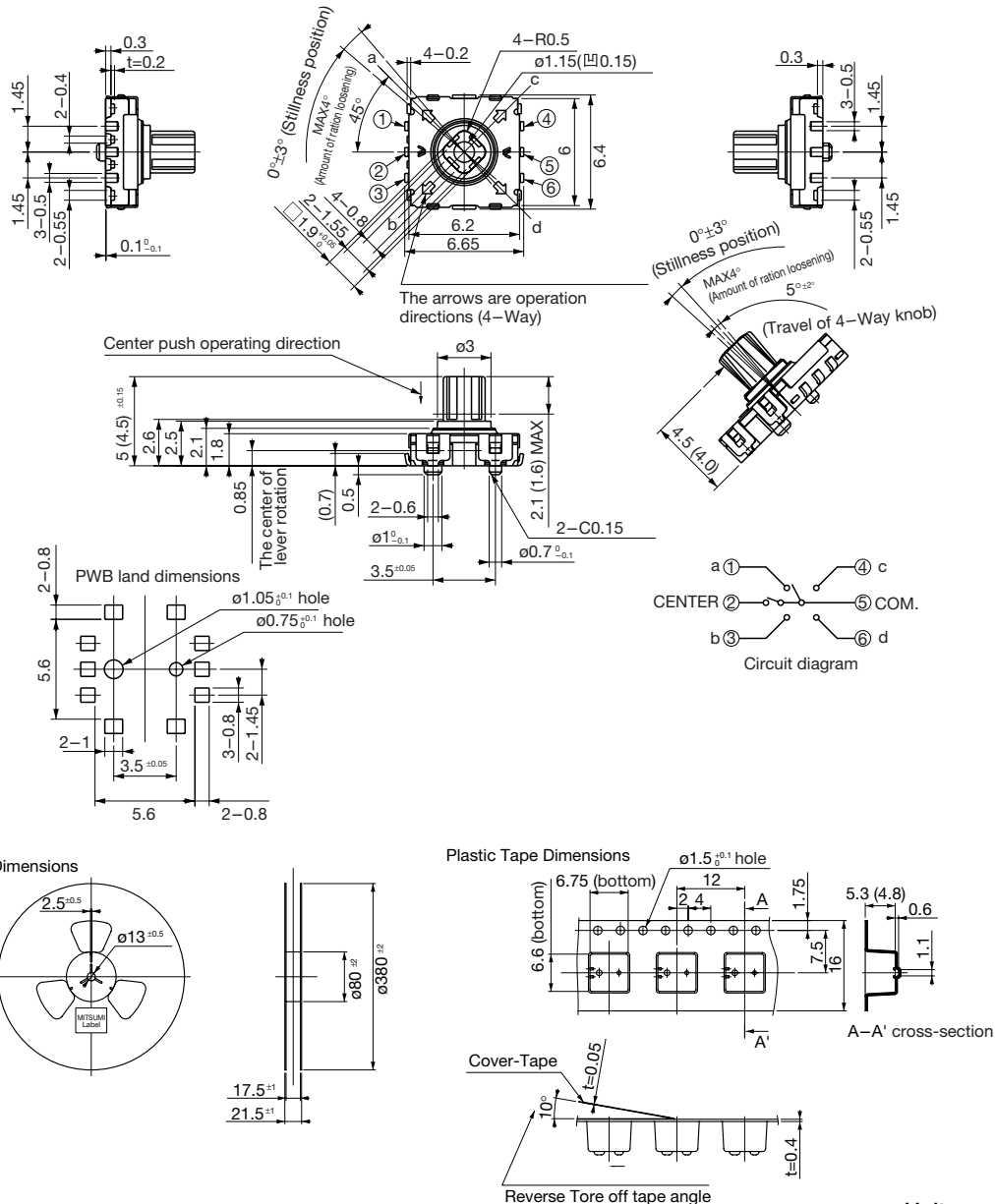
## SPECIFICATIONS

Electrical Characteristics	Rating		50mA, 12V DC
	Contact Resistance		200mΩ or less
	Insulation Resistance		100MΩ or more
	Withstand Voltage		1 minute at 100V
Mechanical Characteristics	4-Way	J Type	1.2N (120gf)
		L Type	2.7N (270gf)
	Center	B Type	2.5N (250gf)
		C Type	4.7N (470gf)
		D Type	3.2N (320gf)
Life	BJ Type		200,000cycles
	CL Type		100,000cycles
	DJ Type		100,000cycles

TYPE

Model Name Code	Order Number	Operating Force		Number of Contacts	Mounting Height	Pcs/Reel
		Center	4-Way			
SOQ-152BJST	R66 6538	2.5N(250gf)	1.2N(120gf)	5	5.0mm	1,000
SOQ-152BJTT	R66 6539	2.5N(250gf)	1.2N(120gf)	5	4.5mm	1,000
SOQ-152CLST	R66 6540	4.7N(470gf)	2.7N(270gf)	5	5.0mm	1,000
SOQ-152CLTT	R66 6541	4.7N(470gf)	2.7N(270gf)	5	4.5mm	1,000
SOQ-152DJST	R66 6542	3.2N(320gf)	1.2N(120gf)	5	5.0mm	1,000
SOQ-152DJTT	R66 6543	3.2N(320gf)	1.2N(120gf)	5	4.5mm	1,000

DIMENSIONS



\*One reel accommodates 1,000 pieces (Ø380).  
Inside ( ), 4.5mm specification.

Unit : mm  
★Tolerance : ±0.3mm