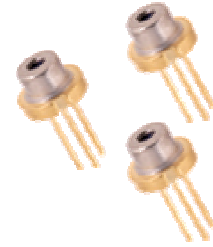


650nm Visible Laser Diode

YPZ-650A-5L

Features

- 650nm typical emission wavelength
- Low Iop Standard TO-56 Package
- Suitable for optical pickup heads and other optical systems
- High reliability



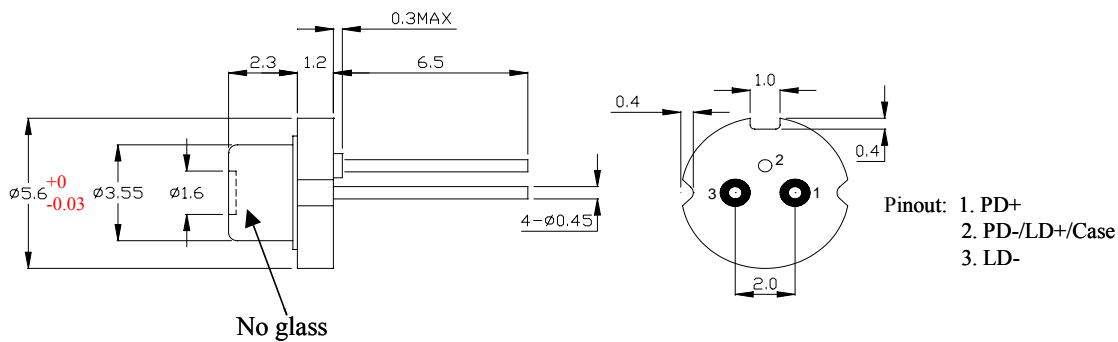
Absolute Maximum Ratings:

Parameter	Symbol	Min.	Typ.	Max.	Unit	Note
Rated Optical Power	Po			5	mW	CW
Storage Temperature		-15		85		
Operating Temperature		-10		50		
Laser Diode Reverse Voltage	VR-LD			3	V	

Optical / Electrical Characteristics (T=25°C):

Parameter	Symbol	Min.	Typ.	Max.	Unit	Note
Threshold Current	ITH			23	mA	
Operating Current	Iop		18	30	mA	Po=5mW
Operating Voltage	Vop			3.0	V	Po=5mW
Center Wavelength	λ_c	640		660	nm	
Beam Divergence	θ	5		12	deg	Po=5mW
	θ	22		36	deg	FWHM
Slope Efficiency		0.4			mW/mA	
Monitor Current	IPD-M	100		800	μ A	Po=5mW

Outline Dimensions & Pinout:



岳豐科技股份有限公司

YFC-BonEagle electric CO. LTD

<http://www.cables.com.tw>

Tel:886-3-4778846

Fax:886-3-4971692

01/01/2006

Version : A