

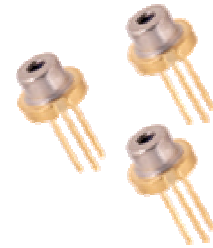
635nm 5mW Laser Diode

YPZ-635A-5I

Preliminary

Features

- 635nm typical emission wavelength
- Industrial Laser Marker
- Measuring instruments
- General purpose red laser light source



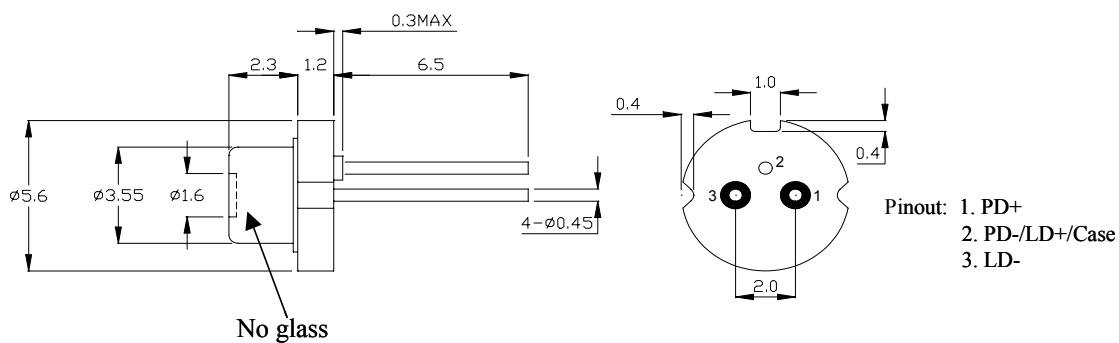
Absolute Maximum Ratings:

Parameter	Symbol	Min.	Typ.	Max.	Unit	Note
Rated Optical Power	P _o			5	mW	CW
Storage Temperature		-40		75	°C	
Operating Temperature		-10		40	°C	
Laser Diode Reverse Voltage	V _{R-LD}			2	V	
Photodiode Reverse Voltage	V _{R-PD}			30	V	

Optical / Electrical Characteristics (T=25°C):

Parameter	Symbol	Min.	Typ.	Max.	Unit	Note
Threshold Current	I _{th}	20	25	30	mA	
Operating Current	I _{op}	-	35	40	mA	P _o =5mW
Operating Voltage	V _{op}	2.1	2.2	2.5	V	P _o =5mW
Center Wavelength	λ _c	630	635	640	nm	
Beam Divergence	θ	5	7	10	deg	P _o =5mW
	θ _⊥	30	33	36	deg	FWHM
Slope Efficiency	η	0.3	0.5	0.8	mW/mA	

Outline Dimensions & Pinout:



无锡国丰电子科技有限公司

WUXI Universal Network Corporation CO. LTD
<http://www.cables.com.tw>

Tel:0510-8265685
Fax:0510-8265690

10/27/2005
Version : A