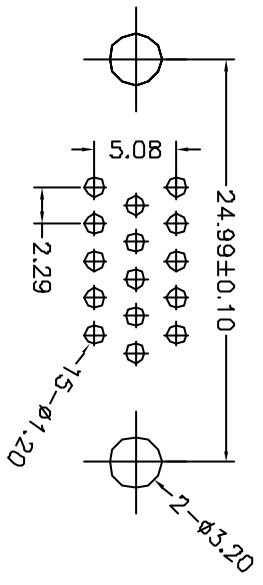
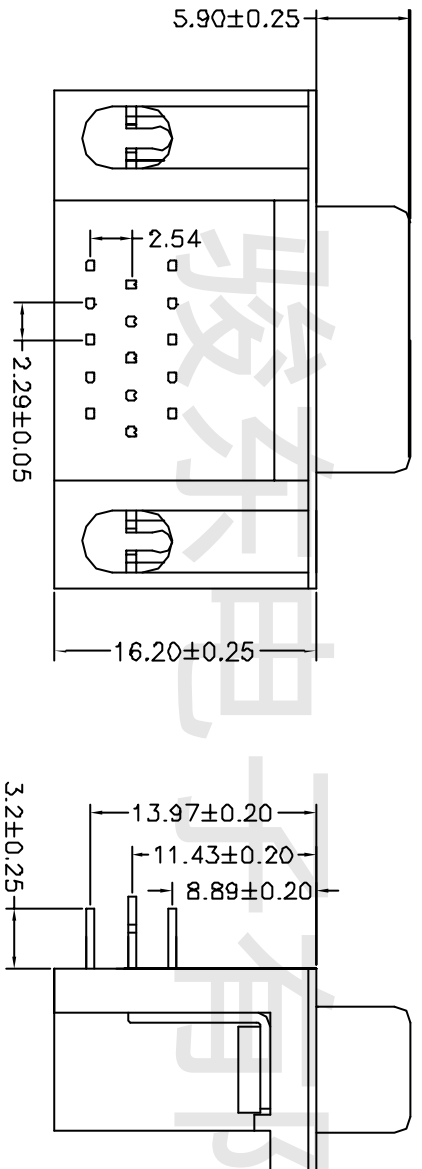
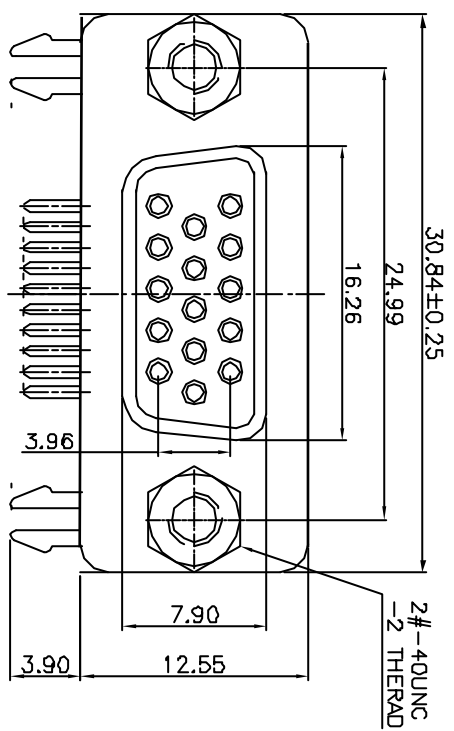


REV	ECN NO.	B Y	DATE
A0	NEW DRAW.	CLOUD	05/03/20



P.C.B LAYOUT

- MATERIALS
INSULATOR:PBT+30%GLASS FIBER UL94V-0
CONTACT:PHOSPHOR BRONZE OR BRASS
CONTACT PLATED:GOLD FLASH
SHELL:STEEL,NICKEL PLATED
- SPECIFICATION:
CURRENT RATE:3 AMPS
WITHSTANDING VOLTAGE: AC 1250V NMS
INSULATOR RESISTANCE:5000 MEGOHMS MIN AT 500VDC
CONTACT RESISTANCE :25MILLOHMS MAX
OPERATING TEMPERATURE:-55CTO+105°C
CONTACT INSERTION FORCE:300gf Max
CONTACT SEPARATION FORCE:25gf Min
- PART NO. Description:
10415FO2x-G04

Color: B:Blue U:White
Y:Yellow K:Black
J:Green R:Red

深圳市骏东电子有限公司

-TOLERANCES- UNLESS OTHERWISE SPECIFIED		TITLE: EDR 15/F 8.89成品	
X.X ±0.30	X.Y ±0.5°	APPD:	PRODUCT NO: 10415FO2x-G04
X.XX ±0.15	X.XY ±1°	CHECK:	DATE
X.XXX ±0.10	X.XXX ±0.5°	DRAW:	SCALE
			UNIT
			TYPE
			PAGE

1	2	3	4	5	6	7	8	9	10
---	---	---	---	---	---	---	---	---	----