

SPECIFICATIONS

Mechanical

Mating Force: 3.0kg (6.6Lb) min.
Unmating Force: 0.3kg (0.66Lb) min.
Durability : 5000 Cycles

Electrical

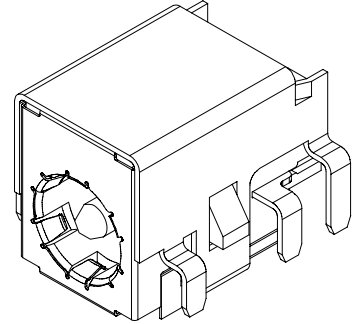
Voltage Rating: 150V max.
Current Rating: 1A max.
Contact Resistance: 50mΩ max.
Dielectric Withstanding Voltage: 500V
Insulation Resistance: 100MΩ

Physical

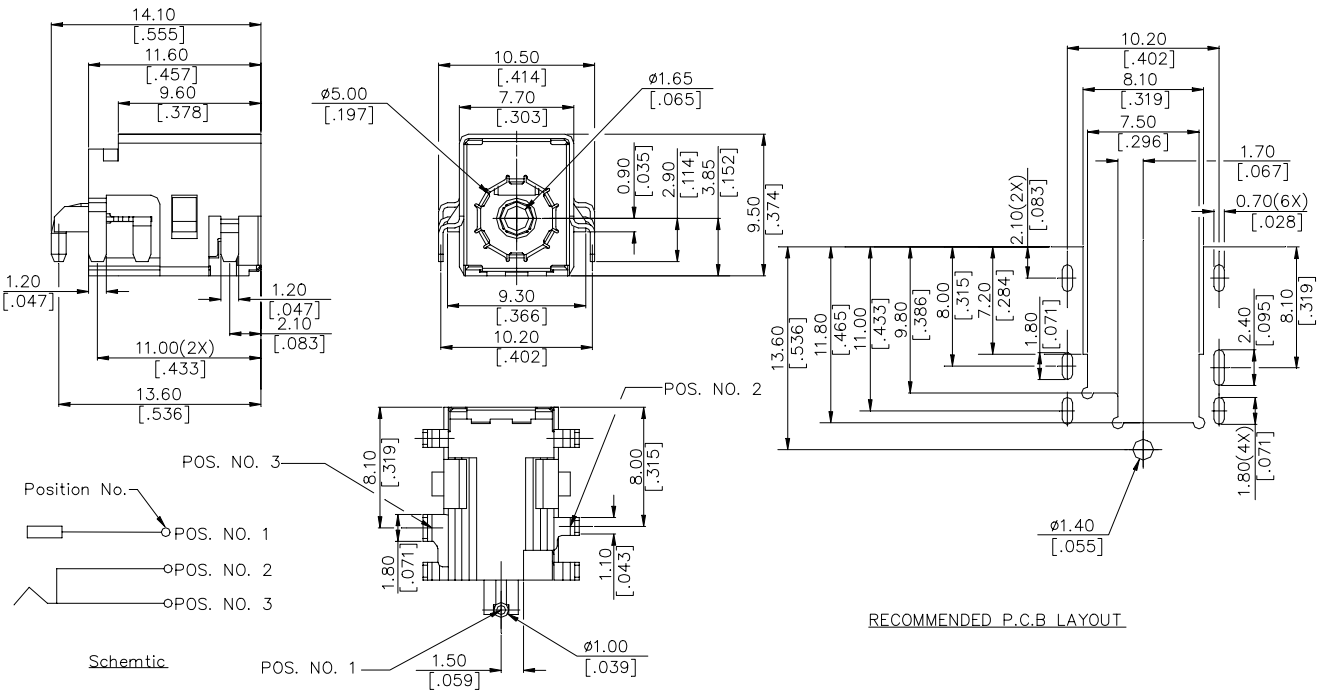
Housing: Thermoplastic, UL 94V-0
Contact: Copper alloy
Plating: See "ORDERING INFORMATION"
Metal Spring: Copper alloy
Operating Temperature: -40 to +85

POWER JACK Connector

JA Series
T/H Type
3 Bands
Plug Ø3.5mm
5 Pos.



DRAWING



ORDERING INFORMATION

PRODUCT NO.: J P D 1 0 3 1 - L B 0 5 2 - 7 F

