

REF. NO: MPCL CAT.P65

REVISION

C.O.N	SYM	DESCRIPTION	DATE	DRAWN	APPR'D
	A	M3, 4 DEEP HOLES ADDED.	5/25/94	T.TSUGAWA	
	B	1) WAS ±0.5%.	05/06/02	T.TSUGAWA	

**GENERAL:**

MODEL CPP-45B IS 45mm(1.77")O.D., 6mm(0.236")DIA. SHAFT PRECISION CONDUCTIVE PLASTIC POTENTIOMETER. ITS SUPERB QUALITY, RELIABILITY AND PERFORMANCE MAKE CPP-45B SUITABLE FOR PRECISION POSITION SENSING APPLICATIONS.

**ELECTRICAL SPECIFICATIONS:**

ELECTRICAL ANGLE: 350°  
 TOTAL RESISTANCE: 1k, 2k, 5k, 10k and 20k OHMS  
 TOTAL RESISTANCE TOLERANCE: ±15%  
 LINEARITY (INDEPENDENT):  $\pm 0.3\%$ . ( ±0.1% AVAILABLE )  
 REPEATABILITY: ± 0.003%  
 POWER RATING: 3 WATTS @ 70 °C  
 INSULATION RESISTANCE : 100 meg OHMS MIN. @ 1,000 Vdc  
 DIELECTRIC STRENGTH: 1,000 Vrms @50/60 Hz for 1 MINUTE

**MECHANICAL SPECIFICATIONS:**

MECHANICAL ANGLE: 360°  
 TORQUE: 18 g-cm ( 0.25 in-oz )  
 WEIGHT: APPROX. 60 g (2.1 oz)  
 LIFE: 10 MILLION CYCLES MIN.  
 GANGING: UP TO 8 SECTIONS

**ENVIRONMENTAL SPECIFICATIONS:**

OPERATING TEMPERATURE: -40°C to +120°C  
 VIBRATIONS: 15 Gs, 2,000 Hz  
 SHOCK: 50Gs, 11 mS

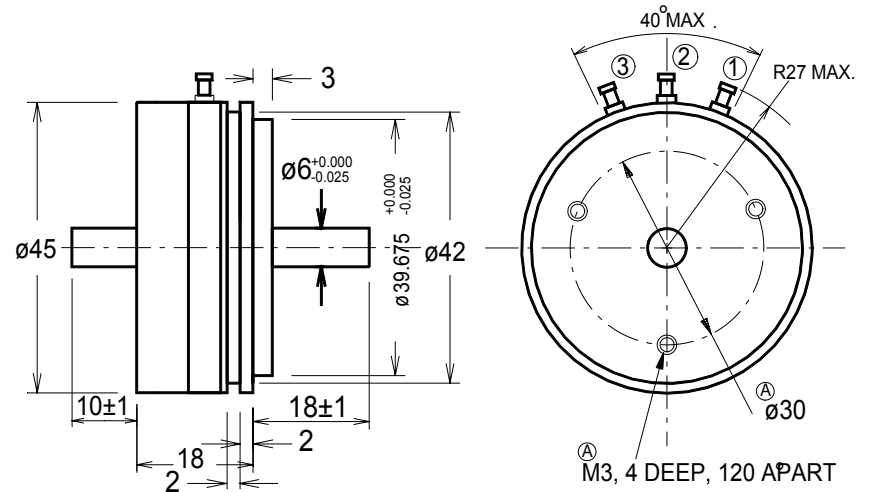


FIGURE 1 OUTLINE DIMENSION

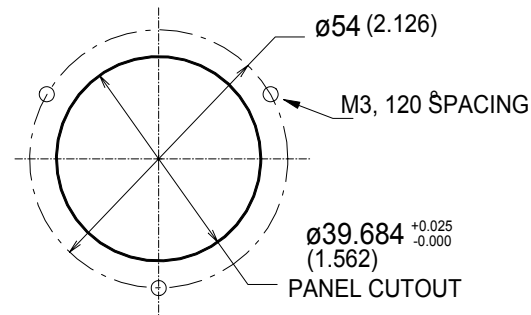


FIGURE 2 MOUNTING DIMENSION

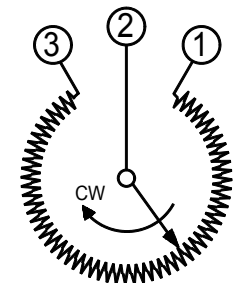


FIGURE 3 WIRING DIAGRAM

UNLESS OTHERWISE SPECIFIED, DIMENSIONS ARE IN mm(in).  
 TOLERANCES:  
 ANGLES ±1.5°  
 <10 mm: ±0.25  
 <100 mm: ±0.5  
 >100 mm: ±1

DRAWN	T.TSUGAWA	DATE	2/16/94
CHECKED		DATE	
APPROVED		DATE	
APPROVED		DATE	
SCALE:			

SPECIFICATION DWG  
 FOR  
 MODEL CPP-45B  
 POTENTIOMETER

FILE: CPP-45B

Midori America Corporation  
 FULLERTON, CA

A-MAC-B43B

1 OF 1