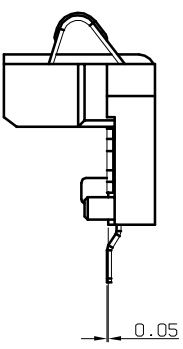
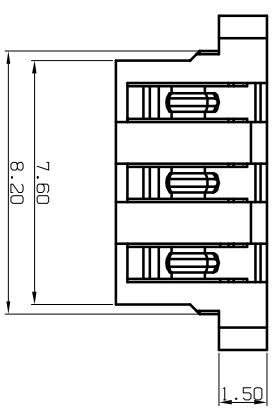
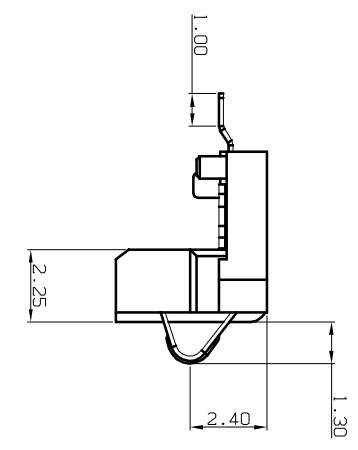
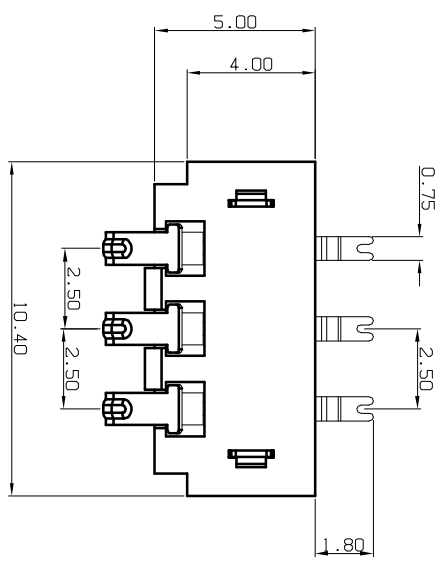
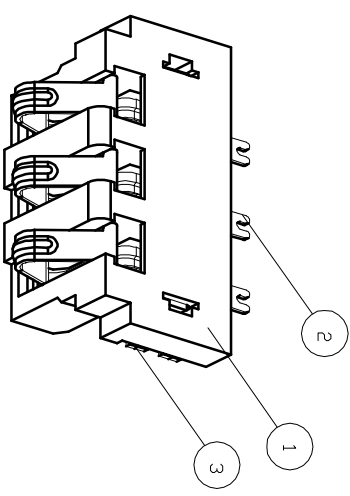


REV/ECN NO	DR DESCRIPTION	REVISED	DATE
A	PROPOSE ONLY	Sean	08/18/05



NOTES:

1.MATERIAL :

HOUSING :PA9T BLACKUL-94V-0

CONTACT :BeCu t=0.15+/-0.015mm

HOLDER :Brass t=0.2+/-0.015mm

2.PLATING :

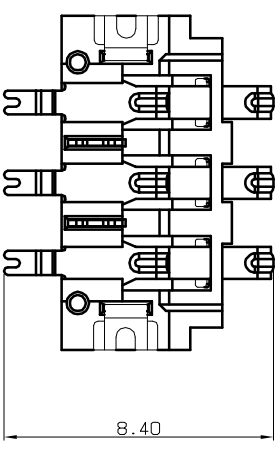
CONTACT :GOLD PLATING 15u" MIN,AT

CONTACT AREA:GOLD FLASH SOLDERING

AREA:50u" MIN NI ALL OVER.

HOLDER :PLATING 100u" MIN TH AND

AND 50u" MIN NI .



3	RETENTION PAD	2	COPPER ALLOY	---
2	BATTERY CONTACT	3	COPPER ALLOY	---
1	HOUSING	1	LCP	BLACK
NO.	DESCRIPTION	QTY	MATERIAL	NOTE
UNLESS OTHERWISE SPECIFIED TOLERANCES				
DECIMALS:	ANGLES:			
X :±0.50	X :±2°			
X.X :±0.20	X.X :±1°			
X.XX :±0.10				
TITLE		1.5H 嵌板电池连接器		
DWN	Johnie	PART NO.	JR-3TR-002	
CHKD	Kevin.d	SCALE:1:1	UNIT:	mm
APVD		SIZE: A3	SHEET:10F	1
CUSTOMER COPY		REV:	A	

**精密精密器件有限公司**  
SHENZHEN KINGRAY PRECISION COMPONENTS CO., LTD