

- NOTE:
1. ELECTRICAL CHARACTERISTICS
    - 1-1. RATED VOLTAGE: 50 VRMS
    - 1-2. RATED CURRENT: 300 mA MIN.
    - 1-3. CONTACT RESISTANCE: 50 milliohms MAX.
    - 1-4. INSULATION RESISTANCE: 100 Megohms MIN.
    - 1-5. DIELECTRIC WITHSTANDING VOLTAGE: 250VAC MIN
  - FOR 1 MINUTE.
  2. MECHANICAL CHARACTERISTICS
    - 2-1. CONNECTOR MATING FORCE: 20N MAX
    - 2-2. CONNECTOR UNMATING FORCE: 30N MIN
    - 2-3. DURABILITY: 5000CYCLES

PRODUCT NUMBER ORDER

UMC 02 F 010 G8 K 00

① ② ③ ④ ⑤ ⑥ ⑦

① PRODUCT CODE (UMC=ULTRA MINI USB)

② PRODUCT SERIES (01~99)

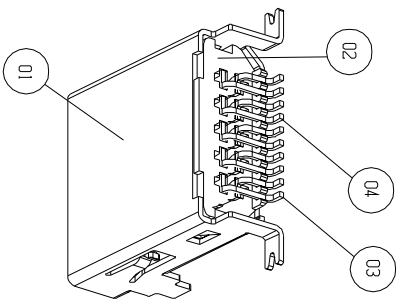
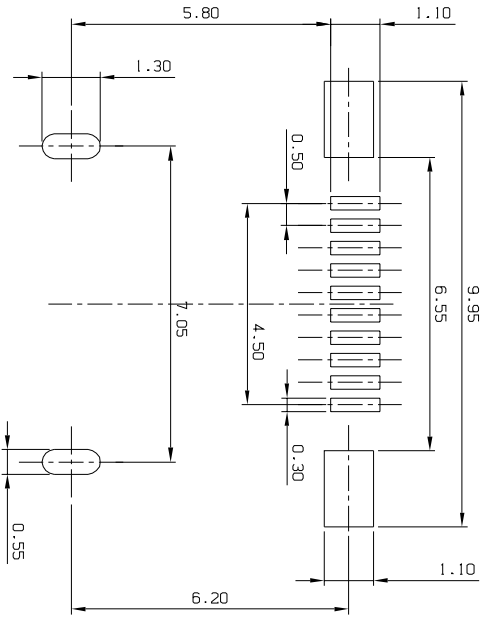
③ MALE / FEMALE (F=FEMALE)

④ POSITION OF CONTACT (010=10PIN)

⑤ PLATING SPEC. (G8 = 12V\*Au)

⑥ HOUSING COLOR: (K=BLACK)

⑦ STREAM NO. (00~99)



ITEM	NAME	Q'TY	DWG #	PART #	MATERIAL / FINISH	NOTE
4	CONTACT 2	5	T-UMC02-00-01	UMC02G5P0001T	PHOSPHOR BRONZE	
3	CONTACT 1	5	T-UMC02-00-00	UMC02G5P0000T	PHOSPHOR BRONZE	
2	HOUSING	1	I-UMC02-00-00	UMC02012LK0000	THERMOPLASTIC	
1	SHELL	1	S-UMC02-00-00	UMC0212C0000S	PHOSPHOR BRONZE	

TOLERANCE	UNIT	MM	SEE NOTE
GENERAL			SEE NOTE
X: ±0.25			SEE NOTE
.X: ±0.20			SEE NOTE
.XX: ±0.10			SEE NOTE
.XXX: ±0.05			SEE NOTE
ANGLES			
X: ±2.0°			
.X: ±1.0°			
.XX: ±0.5°			

UNIT	MM	SEE NOTE
GENERAL		SEE NOTE
MATERIAL		SEE NOTE
FINISH		SEE NOTE
APPR.	Larry	07/28-06
CHK.	Simon	07/28-06
DES.	Judy	07/28-06
DWG.	Judy	07/28-06

REV.	ECN NO.	MODIFICATION	DWG.	CHK.	APPR.
A					
1					