



东莞市爱鑫光电科技有限公司  
Aixin Opto-electrical Technology Co., LTD

地址: 东莞市莞城东南路东升大厦908 TEL: 0769-22474638 FAX: 0769-22486470

# FIBER OPTIC DATA LINK

## DATA SHEET

**MODEL NO** : **DLT1111A**

**DATE** : **2006/03/15**

**VERSION** : **1.0**

**DEVICE NO.** : **3-RD-1-217**

CUSTOMER	DESIGNER	CHECKER	APPROVER



## Features

- High speed signal transmission  
( 13.2Mbps, NRZ signal )
- Input TTL compatible
- +3~+5V power source

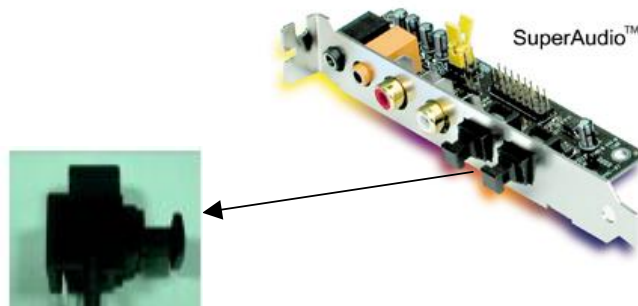
## Descriptions

The light transmitting unit is a standard-package product with connector and opto-electric component packaged with LED and drive IC. The function of unit changes the electric signal into light signal and be transmitted by plastic fiber.

The unit is operated at single+3V~ +5V and the input signal is TTL compatible. The DLT1111A has a maximum operating speed of 13.2 Mbps. The light signal is coupled into plastic fiber by connector. The unit has high performance at low dissipation current, steady light output and efficient light coupling.

## Applications

- Audio equipment
- DVD player
- PC, Notebook
- Sound card

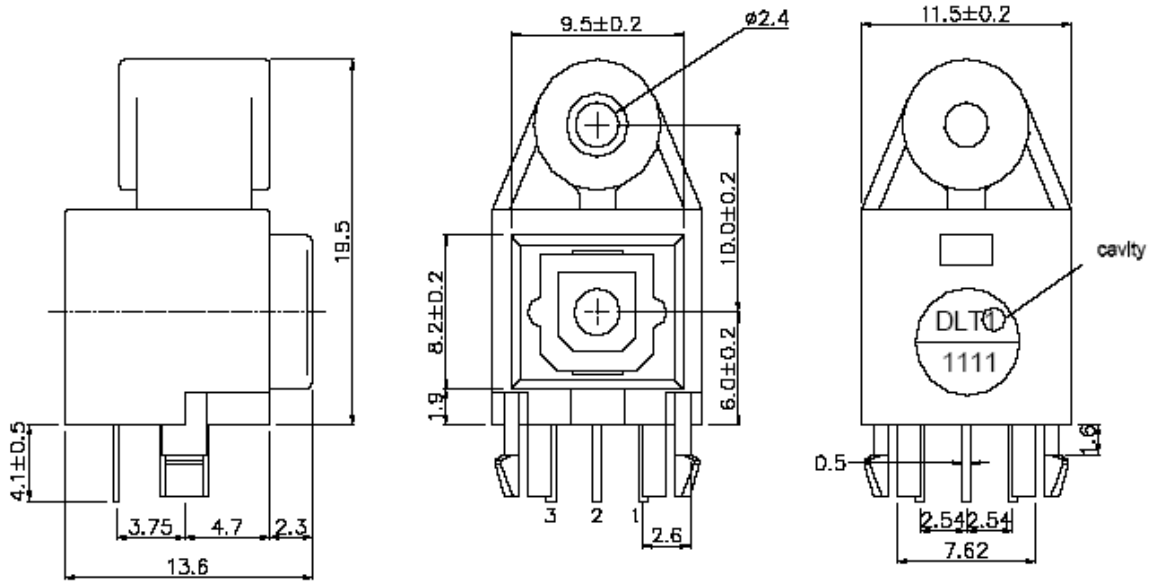


## Device Selection Guide

Chip		Operating Voltage (Vcc)	Dissipation Current(mA)	Fiber Coupling Light Output (dBm)		
IC Material	LED $\lambda$ p(nm)			Typ.	Min.	Typ.
Si	650	2.7~5.5	5.5	-21	-	-15



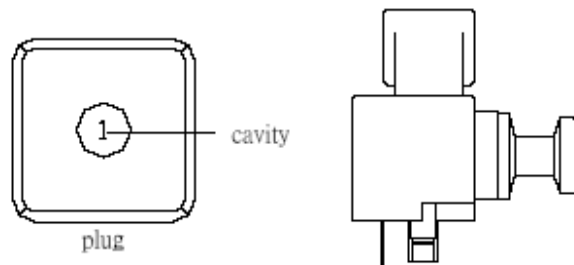
## Package Dimensions



- Notes:** 1.All dimensions are in millimeters.  
2.General Tolerance:  $\pm 0.2\text{mm}$

## Pin Function

1. GND
2. Vcc
3. Vin



## Absolute Maximum Ratings( Ta = 25 °C)

Parameter	Symbol	Rating	Unit
Supply Voltage	Vcc	-0.5 to 7	V
DC Input Voltage	Vin	-0.5 to Vcc+0.5	V
Power Dissipation	P	120	mW
Storage Temperature	Tstg	-30 to 80	°C
Operating Temperature	Topr	-20 to 70	°C
Soldering Temperature	Tsol	260*	°C

\* Soldering time  $\leq 10$  s.



## Electro-Optical Characteristics

Parameter	Symbol	Conditions	MIN.	TYP.	MAX.	Unit
Operating Voltage	Vcc	-	2.7	-	5.5	V
Peak Emission Wavelength	$\lambda_p$	-	640	-	670	nm
Transmission Speed		NRZ signal	DC	-	13.2	Mbps
Transmission Distance		Using APF	0.2	-	5	m
Pulse Width Distortion	$\Delta tw$	13.2Mbps NRZ Signal	-25	-	25	ns
Fiber Coupling Light Output	Pf	*1	-21	-17	-15	dBm
Dissipation Current	Icc	*2	-	5	10	mA
High Level Input Voltage	V <sub>IH</sub>		2	-	-	v
Low Level Input Voltage	V <sub>IL</sub>		-	-	0.8	v
Rise Time	t <sub>r</sub>	*3	-	30	40	ns
Fall Time	t <sub>f</sub>	*3	-	20	30	ns
Low →High propagation delay time	t <sub>PLH</sub>	*3	-	-	100	ns
High →Low propagation delay time	t <sub>PLH</sub>	*3	-	-	100	ns
Jitter	$\Delta t_j$	*3	-	1.5	25	ns

The DLT1111A light transmitting unit satisfies EIAJ CP -1201 digital audio interface standard.



## Reliability Test Items

No.	Item	Test Condition	Test Hour/Cycle	Samples	Number (n) Failure (c)
1	Soldering Heat	260°C±5°C	5 sec./2times	22	n=22, c=0
2	High temp. & Hum. storage	Ta=40°C, 90%RH	500	22	n=22, c=0
3	High temp. storage	Ta=80°C	500	22	n=22, c=0
4	Low Temp. storage	Ta=-30°C	500	22	n=22, c=0
5	Temp. cycling	-30°C ~ 80°C (30min) (5min) (30min)	20	22	n=22, c=0
6	High Temp. Operation life	Ta=60°C, Vcc=5V ON	500	22	n=22, c=0
7	Repeated operation	500 times	Coupling force < 2 kg 0.4 kg<Detaching force <2kg	22	n=22, c=0
8	Terminal Strength(tension)	Weight: 500 g 30 sec./each terminal		22	n=22, c=0
9	Terminal Strength(bending)	Weight: 500 g 2 times/each terminal		22	n=22, c=0
10	Mechanical Shock	Acceleration: 1000m/s <sup>2</sup> Pulse width: 6 ms 3 times/ X,Y,Z direction		22	n=22, c=0
11	Vibration	Frequency range: 10~55 Hz /sweep 1 min Overall amplitude: 1.5 mm 2H./X,Y,Z direction		22	n=22, c=0

Icc (dissipation current): CURRENT ATTENUATE DIFFERENCE < 20%

Pf (fiber coupling light output): BRIGHTNESS ATTENUATE DIFFERENCE < 20%

TPLH (propagation L → H delay time): DELAY TIME DIFFERENCE < 20%

TPHL (propagation H → L delay time): DELAY TIME DIFFERENCE < 20%

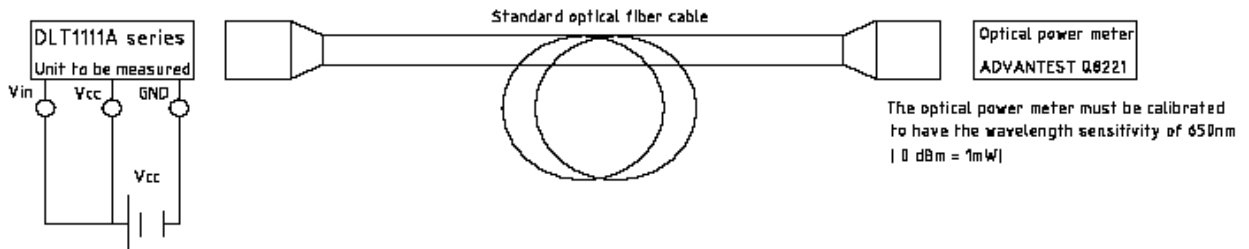
Tr (rise time): TIME DIFFERENCE < 20%

Tf (fall time): TIME DIFFERENCE < 20%

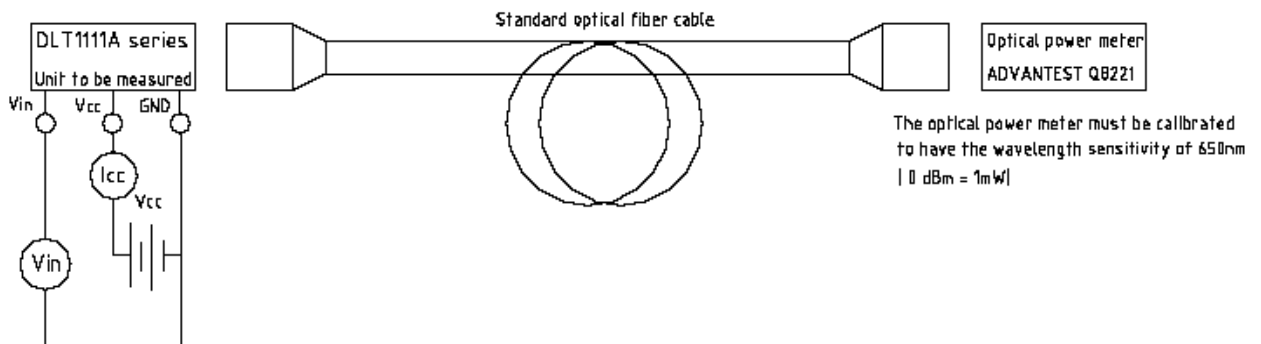


## Measuring Method

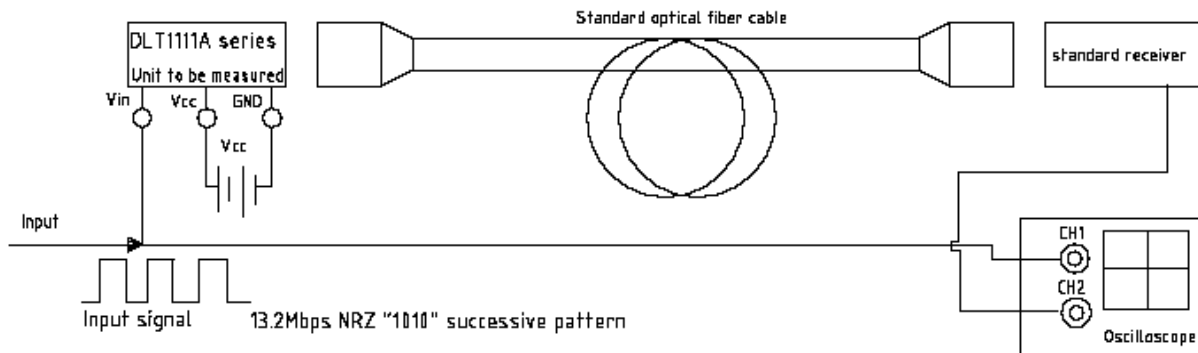
### \*1 Measuring method of optical output coupling fiber



### \*2 Input voltage/power dissipation measuring method

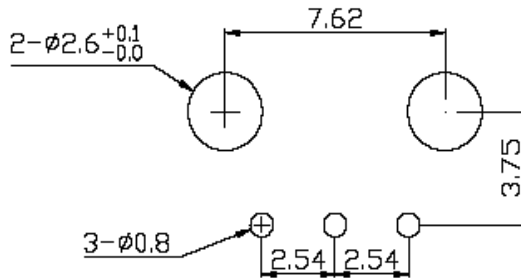


### \*3 Pulse response and jitter measuring method





## PCB Layout For Electrical Circuit

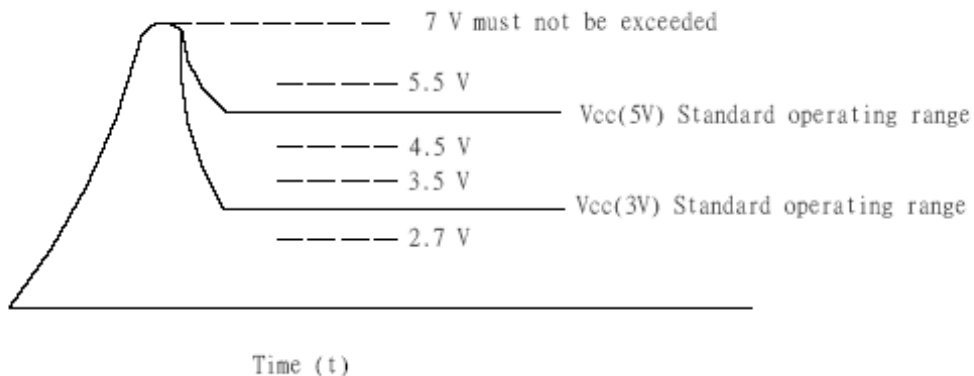


### Notes:

1. Unit:mm
2. Unspecified tolerance:  $\pm 0.3\text{mm}$
3. Substrate Thickness:1.6mm

### Precautions for Using Method

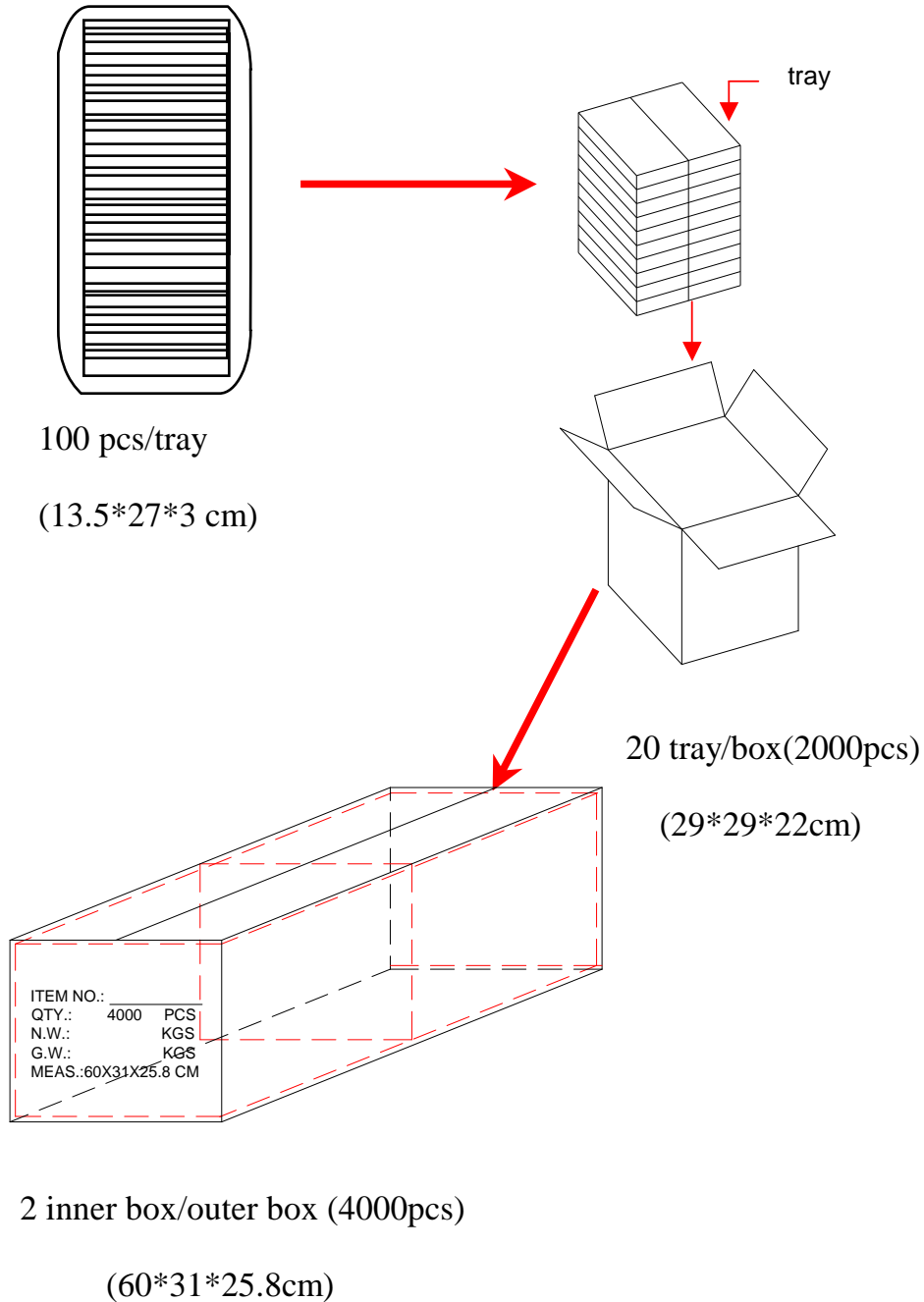
1. Connect a by-pass capacitor (0.1uF) close to the DLT11 11A within 7 mm of the unit lead frame.
2. Take proper electrostatic-discharge (ESD) precautions while handling these devices. These devices are sensitive to ESD.
3. Please follow the conditions described in the diagram below.





## Package

Item	Quantity	Total	Size (long*width*high)
Tray	100	100 pcs	13.5*27*3 cm
Inner box	20 tray/box	2000 pcs	29*29*22 cm
Outer box	2 inner box/outer box	4000 pcs	60*31*25.8 cm







东莞市爱鑫光电科技有限公司  
Aixin Opto-electrical Technology Co., LTD

地址 东莞市莞城东南路东升大厦908 TEL: 0769-22474638 FAX: 0769-22486470

---

REV	DESCRIPTION	RELEASE DATE