

1 Part Numbering System

EVM	3ES	X50	B13
A	B	C	D

A:Product Code
C:Packaging Spec.

B:Type and Construction
D:Taper and Resistance

2 Appearance and Shape

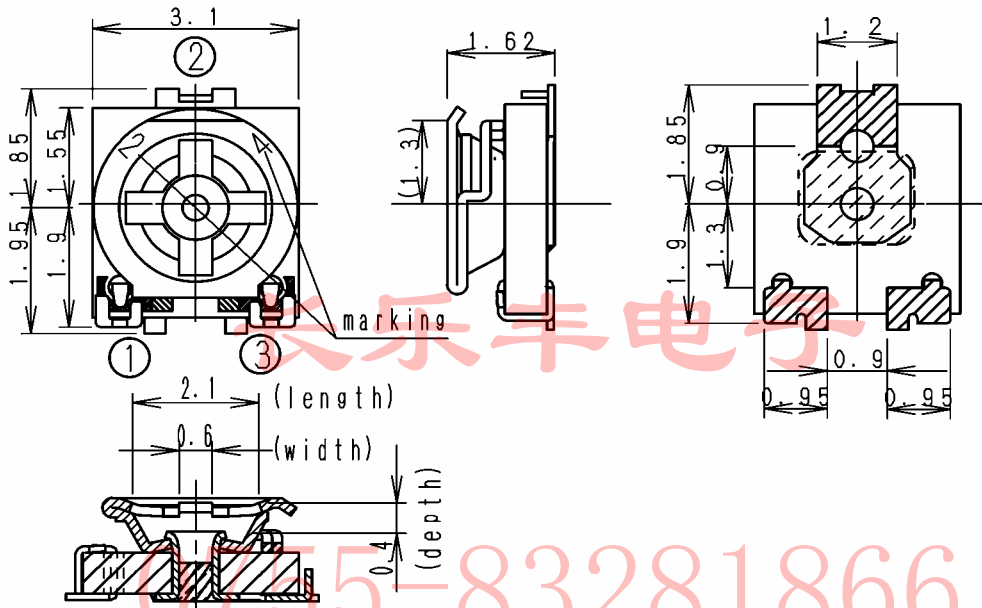
2.1 Marking

Nominal Total Resistance shall be marked by 2 digits. Please refer to table noted right side.

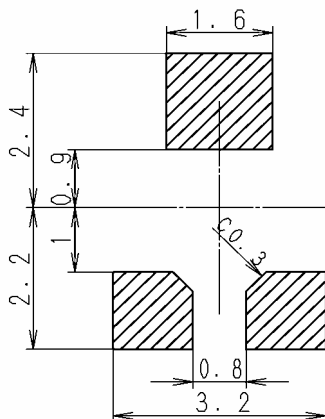
Nominal Total Resistance	Marking
100 ohm	12
1 k ohm	13
10 k ohm	14
1 M ohm	16

2.2 Dimensions in mm(not to scale)

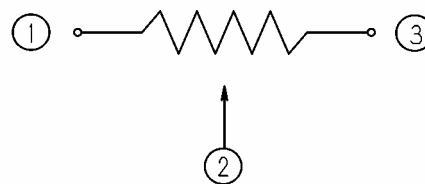
General Tolerance ± 0.3



Recommended Land Pattern



Circuit Diagram



Part Name
3mm Square Trimmer Potentiometers

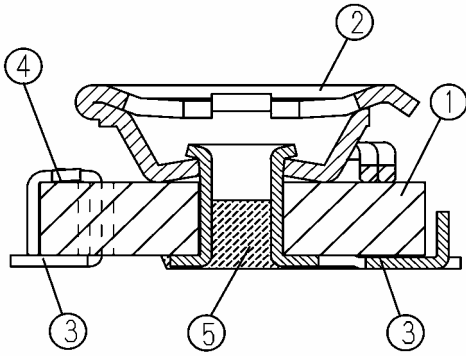
Issue

Revisions

Part No.
EVM3ESX50B**

Drawing No.
EVM3ESE03BXX

2.3 Constructions and Part List



NO	Parts	Materials	Notes
1	Resistor Base	Base Alumina Resist. Metalgraze	
2	Brush	Stainless Steel	
3	Terminal	Stainless Steel	Tin Plating
4		Solder	Tin, Silver, Copper Alloy Solder
5	Coating	UV Resin	

3 Performance

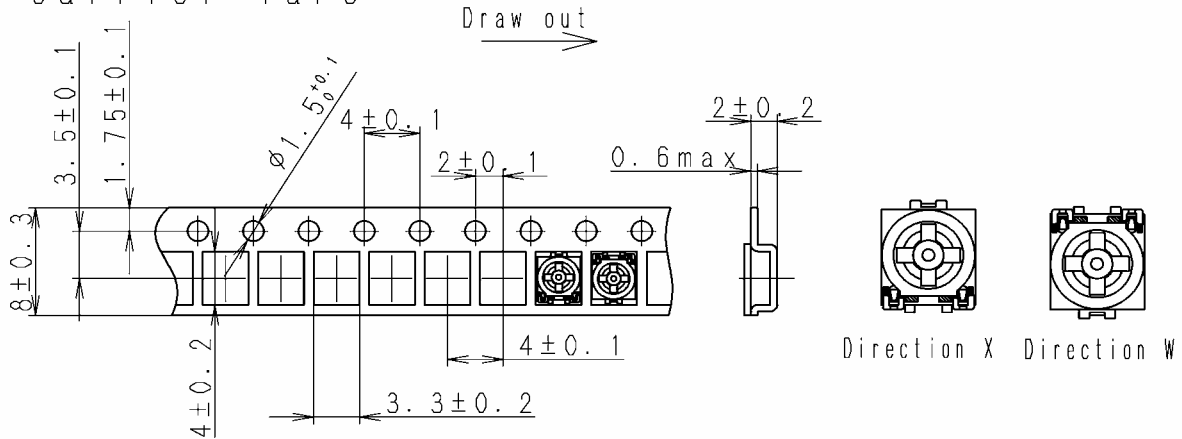
3.1 Rating

Item	Performance	Remarks
Power Rating	0.15 W For potentiometers operated in ambient temperature above 70 deg.C , Power Rating shall be derated in accordance with the figure at right.	<p>Power Derating Curve</p> <p>Rated load (%)</p> <p>Ambient temperatur (deg.C)</p> <p>Voltage Rating</p> $E = \sqrt{P \times R}$ <p>E:Voltage Rating(V) P:Power Rating(W) R:Nominal Total Resistance (ohm)</p>
Maximum Operating Voltage	50 V [DC]	
Voltage Rating	Voltage Rating should be Maximum Operating Voltage when E shall exceed Maximum Operating Voltage.	
Operating Temperature Range	-40 deg.C to 100 deg.C	
Nominal Total Resistance	100 ohm to 1 M ohm	
Tolerance of Total Resistance	± 25 %	

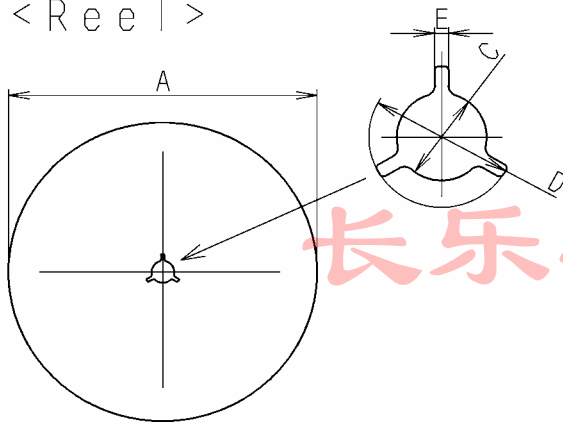
Part Name 3mm Square Trimmer Potentiometers	Issue	Revisions
	Part No. EVM3ESX50B**	Drawing EVM3ESE03BXX

6 Packaging Methods

<Carrier Tape>



<Reel I>



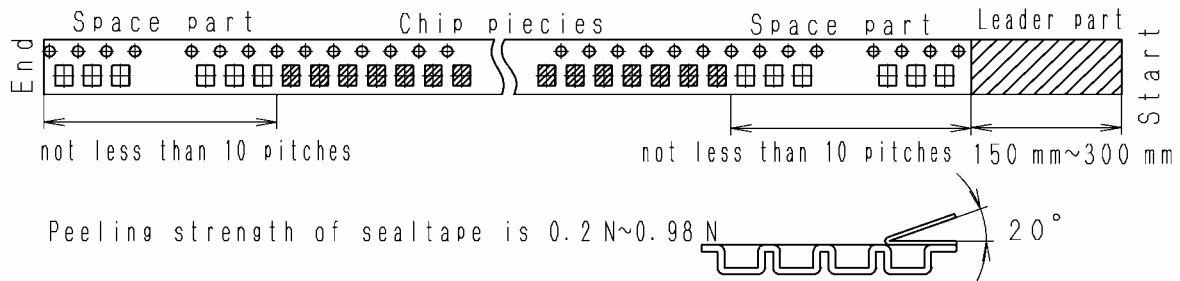
<Quantity>

NO	Part Number	Quantity/Reel
1	EVM3ESX50B** (W)	2000

0755-83281866

NO	A	B	C	D	E	W1	W2
1	178	60	13	21	2	8.4	14.4
Tolerance	±2	min.	±0.2	±0.8	±0.5	+2 -0	max.

<Taping Methods>



Part Name 3mm Square Trimmer Potentiometers	Issue	Revisions
	Part No. EVM3ESX50B**	Drawing No. EVM3ESE03BXX