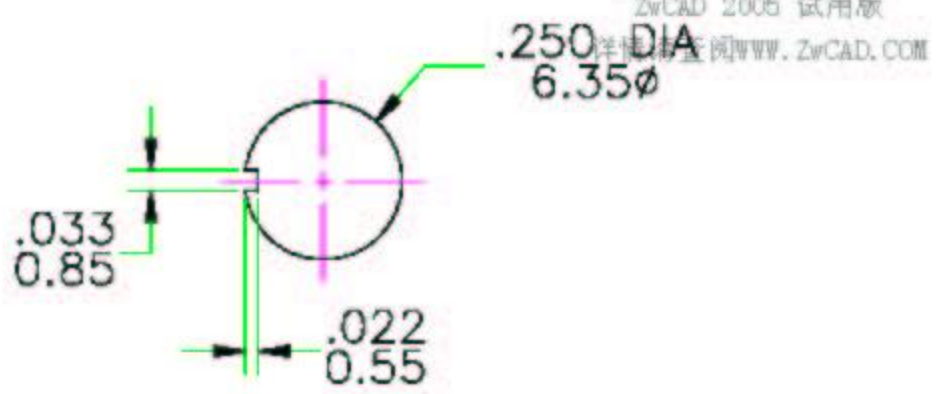
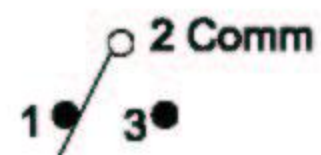


PANEL MOUNTING
1/4 IN. BUSHING



您正在使用
ZrCAD 2005 试用版
详情请访问 WWW.ZRCAD.COM

Actuator	H
S	10.41
T	5.08



Model No.	Switching Position		
T8013	ON	None	ON
T8013A	ON	None	(ON)
T8014	ON	OFF	ON
T8014A	(ON)	OFF	(ON)
T8014B	ON	OFF	(ON)
Term. Conn.	2-3	OPEN	2-1

					Nominal Tolerance		Part no. T8013-SEB	深圳市宏聚电子有限公司 HONGJU(SHENZHEN)ELECTRONIC CO.,LTD		Check			
					Range	Tolerance				Drawer			
					0 - 1	±0.10	Dwg no.	Scale 2:1		Date			
1	A0	NEW		05.04.21	1 - 4	±0.20				Part Name.	Unit m/m (inch)	Rev. 0	Edition
NO.	Edlton	Modified Contents	Name	Date	4 - 16	±0.30				T80-T/ SPDT Miniature Toggle Switches			AD