

北京(Beijing) 010-68008 911 [进口固态接触器经销商 www.shuntu.net](http://www.shuntu.net)
广东省深圳 0755-83656701 在线查询 www.Omrons.com.cn 山东 0533-2855955



固态接触器 SSC; 面板安装 solid state contactor

; EMC 标准设计 PDF 固态接触器选型资料

固态接触器原理 什么是固态接触器 直流固态接触器 固态接触器资料 固态接触器型号
进口固态接触器 SSC 固态接触器 固态接触器价格 欧姆龙固态接触器 三相固态接触器

Part Number	Control Voltage	Maximum Load Current	Line Voltage Range
SSC1000-25-12	12 VDC	25 Amps	1000 VDC
SSC1000-25-24	24 VDC	25 Amps	1000 VDC
SSC1000-25-36	36 VDC	25 Amps	1000 VDC
SSC800-25-12	12 VDC	25 Amps	800 VDC
SSC800-25-24	24 VDC	25 Amps	800 VDC
SSC800-25-36	36 VDC	25 Amps	800 VDC

快达 Crydom 继电器 快达固态接触器 快达继电器 PDF 说明书 UL 认证 CSA 认证 VDE 认证 CE 认证

SSC Series



- IGBT based solid-state relay
- Ratings up to 25A @ 1,000 VDC
- DC control

PRODUCT SELECTION

	25A	25A
	SSC800-25	SSC1000-25

OUTPUT SPECIFICATIONS (1)

Description	800 VDC	1000 VDC
Operating Voltage [VDC]	0-800	0-1000
Maximum Transient Overvoltage [Vpk]	900(4)	1200(5)
Maximum Off-State Leakage Current @ Rated Voltage [mA]	0.3	0.3
Maximum Load Current (3) [Adc]	25	25
Minimum Load Current [mA]	20	20
Maximum Surge Current [Adc] (10ms)	75	75
Maximum On-State Voltage Drop @ Rated Current [Vdc]	1.6	1.6
Thermal Resistance Junction to Case (Rjc) [°C/W]	0.8	0.8

INPUT SPECIFICATIONS (1)

Description	Suffix -12	Suffix -24	Suffix -36
Nominal Control Voltage (6)	12 VDC	24 VDC	36 VDC
Control Voltage Range	8-16 VDC	20-28 VDC	32-40 VDC
Minimum Turn-On Voltage (7)	8 VDC	20 VDC	32 VDC
Minimum Turn-Off Voltage	1.0 VDC	1.0 VDC	1.0 VDC
Typical Input Current at Nominal Voltage	15 mA	15 mA	15 mA
Nominal Input Impedance	780 Ohm	1500 Ohm	2400 Ohm
Maximum Turn-On Time [msec]	1.5	1.5	1.5
Maximum Turn-Off Time [msec]	1.5	1.5	1.5

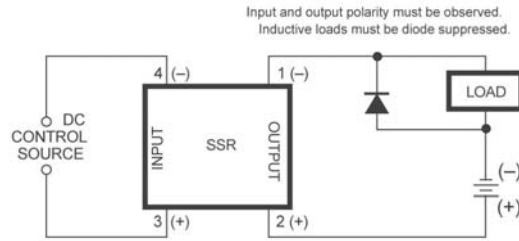
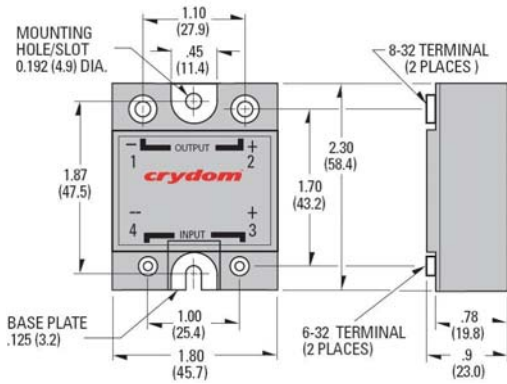
GENERAL SPECIFICATIONS

Description	Parameters
Dielectric Strength, Input/Output/Base (50/60Hz)(2)	2500 VRMS
Minimum Insulation Resistance (@ 500 V DC)(2)	10 ⁹ Ohm
Maximum Capacitance, Input/Output	50 pF
Ambient Operating Temperature Range	-30 to 80°C
Ambient Storage Temperature Range	-40 to 125 °C
Weight (typical)	3.0 oz (86.5g)
Encapsulation	Thermally conductive Epoxy
Terminals	Screws and Saddle Clamps Furnished, Unmounted
Recommended Terminal Screw Torque Range:	6-32 Screws - 10 in lbs. 8-32 -20 in. lbs. (Screws dry without grase)

GENERAL NOTES

- 1) All parameters at 25°C unless otherwise specified.
- 2) Dielectric strength and insulation resistance are measured between input and output
- 3) Heat sinking required, for derating curves see next page.
- 4) Internal overvoltage protection included.
- 5) Internal overvoltage protection not included.
- 6) Use suffix -12, -24 or -36 to specify control voltage. For other values call factory Sample: **SSC800-25-24**
- 7) Operation below the specified minimum turn-on voltage may result in linear operation of the output and damage to the relay.

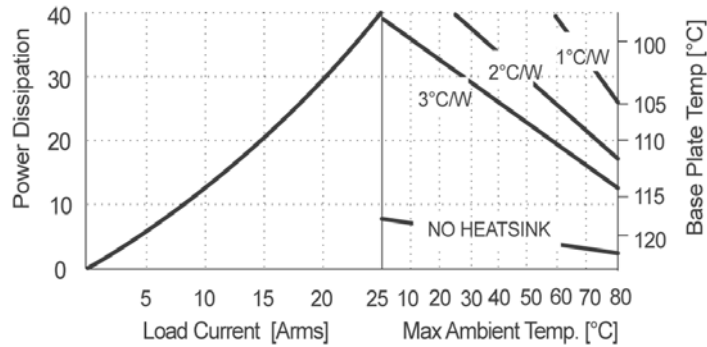
MECHANICAL SPECIFICATIONS



Transient Protection

All loads are inductive, even ones that are not so labeled. An inductive load will produce harmful transient voltages when it is turned off. The more perfect the switch, the larger the transient voltages; the MOSFET output is so nearly an ideal switch that the transient voltages produced by seemingly "non-inductive" loads can cause damage if not suppressed. Diodes should be fast recovery type with PIV rated greater than supply voltage.

THERMAL DERATE INFORMATION



AGENCY APPROVALS

