

C3000 C3002 SERIES

Key Switches



SPECIFICATIONS

RATING: 30mA / 28VDC
OPERATING SPEED: 10mm/sec
ELECTRIC LIFE: 20,000 cycles
FULL TRAVELS: 2.0mm
OPERATING TEMPERATURE: -40°C to 95°C

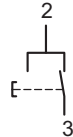
MATERIALS

PUSHER: POM Black
DUST PROTECTION CAP: POM Black
CASE: PA Nature glass fiber reinforced
SPRING: Piano wire
CONTACT/TERMINALS: Brass, silver plated

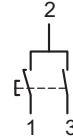


SWITCH FUNCTION

SPST

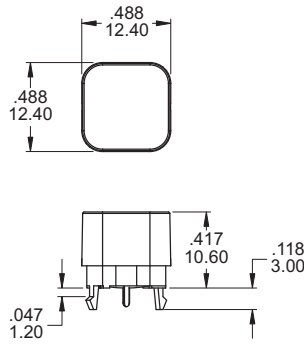


SPDT



POLE OPTIONS

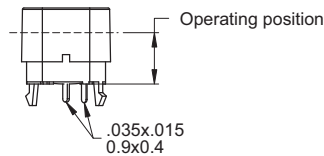
SPST



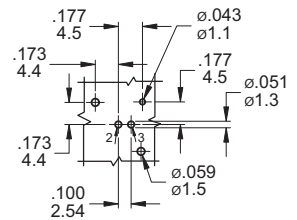
Part No. Shown : C3000

NOTE

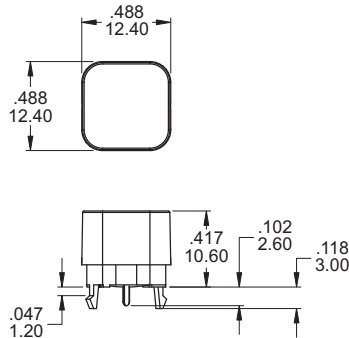
Force: G3.4~6.4N
 Operating position: 8.9 ± 0.2mm



P.C. MOUNTING



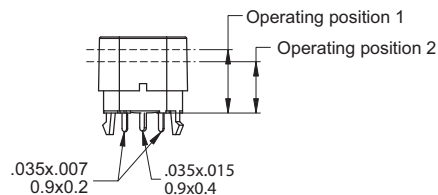
SPDT



Part No. Shown : C3002

NOTE

Force 1: G5~7N
 Force 2: G11~14N
 Operating position 1: 9.7 ± 0.2mm
 Operating position 2: 8.9 ± 0.2mm



P.C. MOUNTING

