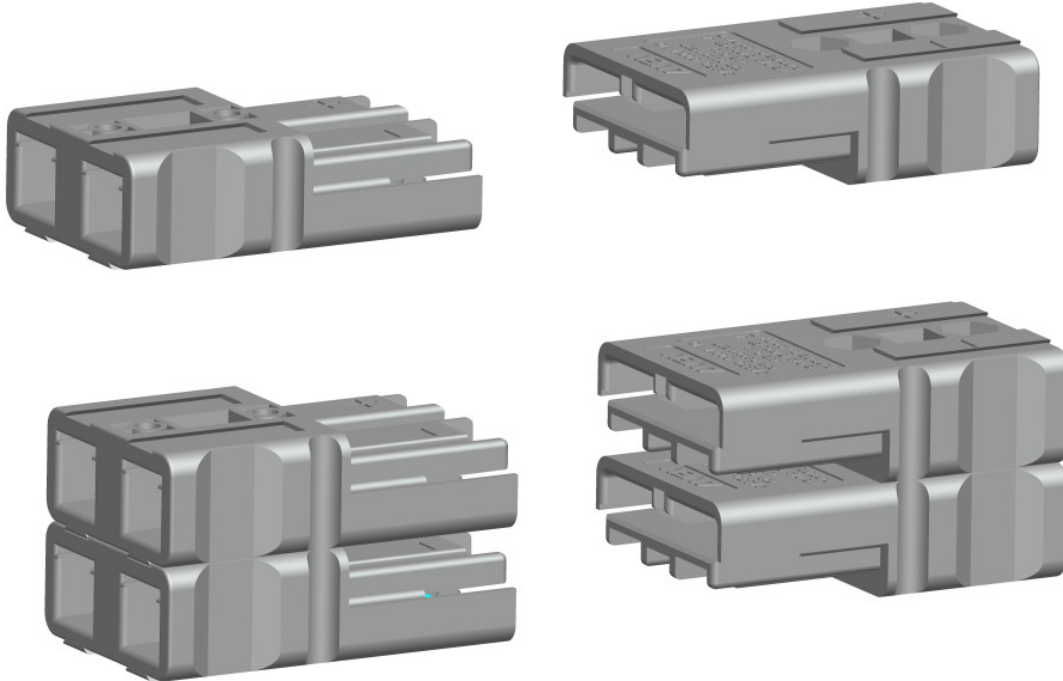




一. 物料名称 (Name of Product) : SAS50 安能工业连接器 Anen Power Series SAS50 Connectors

二. 规格型号 (Product NO.) :SAS50



三. 技术参数 (Technical Parameters)

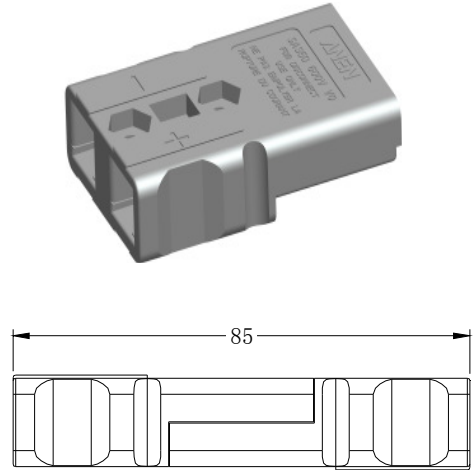
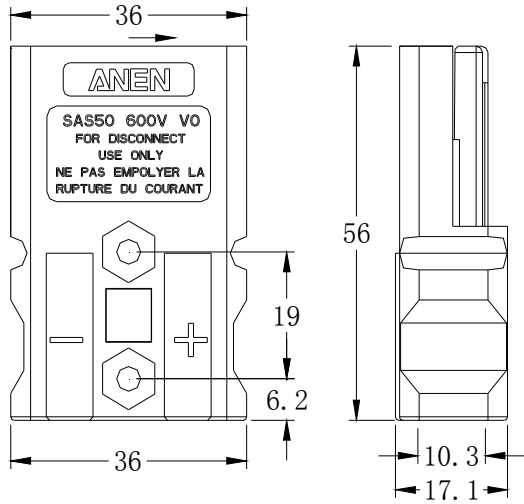
系列 Series	SA
零件料号 Part number	SAS50
环保要求 ROHS	Yes
防火等级 Fire rating	UL94V-0
触摸保护, 未插合状态 Degree of protection, unmated	IP2X
环境温度 Temperature	-40°C to +75°C
工作温度 Operating Temperature Range	-20°C to +105°C
端子材质 Contact Material	Copper
端子表面电镀 Plating Thickness	Ag 3 um
主体胶壳材质 Housing Material	PC
主体胶壳颜色 Housing Color	Grey、Blue、Red、yellow
连接器极数 Connector Poles	2 Poles
工作电压 Voltage-maximum (Volts)	600V
工作电流 Current-maximum (Amperes)	50A
接触电阻 Contact Resistance (micro-ohms)	≤2 mΩ
耐电压 Insulation Withstanding Test Voltage	2000V
热插拔 Hot Plug (insertion / extraction)	Can not hot-swappable at the Voltage greater than 36V
最大电流 Power Feed:Fuse or circuit Breaker	75A maximum



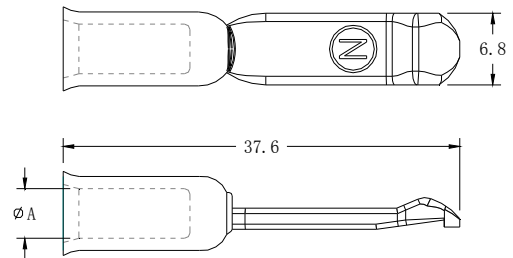
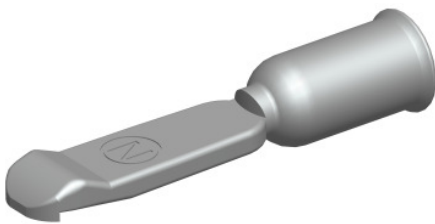
四、尺寸 (Dimensions)

胶壳/Housing

P/N:CFDS050001



端子/Terminal



料号 Part number	φ A 尺寸 φ A Dimension(mm)	适合线径 Applicable sizes(AWG)	额定电流 Electric rating(A)	额定电压 Voltage rating(V)
CTDCB001	5.6	6AWG	75A	600V
CTDCB002	4.7	8AWG	60A	
CTDCB003	3.5	10AWG	40A	

