



DSZ-03 solenoids pump

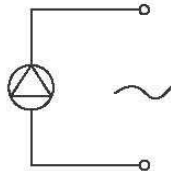


总重量 Total Weight: 450g
应用范围: 用于咖啡机、清洁机等
APPLICATION: Coffee machine And Cleaner ect

综合特性 GENERAL FEATURES

电气连接 (交流) 直接安装
ELECTRICAL CONNECTION (AC) made as shown on the diagram

(直流) 需要使用一个方波脉冲转换器
(DC) requires the use of a square waves impulse converter



空载时间 ≤3分钟
NONLOADED TIME ≤3minute

寿命 10000循环
WORKLIFE 10000 CYCLE

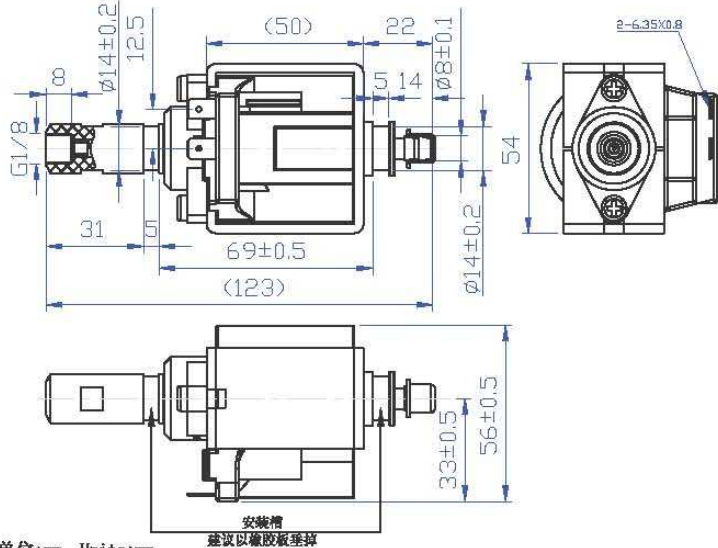
工作周期 1分钟
WORKCYCLE 1Min

活塞和弹簧 高耐腐蚀不锈钢
PISTON AND SPRING stainless steel high corrosion resistance

流体 水和无腐蚀性介质
FLUIDS water and non corrosive media

抽吸距离 泵体与液面高度差按100±10cm, 进水侧胶管长为100±10cm, 抽吸出水时间≤10Sec
SUCTION PREVALENCE Height(Pump)-Height(Liquid level) =100±10cm, the lenght of inlet host is 100±10cm, the time of pump water≤10Sec

类型: 水泵 TYPE: Water Pump



COIL SPECIFICATION(at 20° C)

Coil Sensitivity	Duty Cycle (%)	Nominal voltage (VAC)	Nominal current (A)	Coil Resistance (Ω) ±10(Ω)	Power Consumption (W)	Max "On" time (Sec)	Max Pressure (Bar)	Max Flow Rate (cc/min)
DSZ-03	50	230	1.39	165	55	60	15	700
DSZ-03A	50	120	2.22	64	54	60	2.5	700
DSZ-03B	50	230	1.39	166	55	60	20	600
DSZ-03C	50	230	1.39	165	55	60	20	600

CHARATERISTICS(Typical data at 20° C)

