

CN/E

MHW60/MHWK60





Gerhard Waldmann,
常务董事

欢迎使用沃达迈(Waldmann)产品。

在将近八十年的漫长岁月里，我公司作为“灯光工程师”，所推出的产品始终代表着第一流的德国工艺制造水平和工程技术。

本公司创建于1928年，是一家从事电器系统的生产及电器设备和电动机的设备维护的专业公司。自从1958年以来，公司转产工作场地专用的照明灯具的生产，在1975年又将产品类型扩展到医用放射设备，进而逐步发展成一家在全世界灯具生产领域处于领先地位的中型企业，并仍然由他的家族掌管。我们除了在欧洲设有许多子公司外，还分别在美国，新加坡和中国（成立于2006年）设有分公司。

我公司广泛而多样的产品，可以满足不同行业需求，提供多种应用场合的照明方案，无论是办公室还是厂区：无论是董事办公室还是在敞开式大办公室、机器房、或会议厅。

我们凭借智能化的照明概念与一流的产品，确保对任何工作场所提供理想的照明条件。

在这本目录里我们向您介绍的沃达迈(Waldmann)灯具，既包含经典产品也包含新推出了一些新产品，它们均遵循“双C”(TWIN-C)照明概念。

愿我们的产品能深深地打动您！

Gerhard Waldmann



公司由Emil Waldmann创建，从事电器设施的安装及家用电器的维护。

Founding of the company by Emil Waldmann. Electrical installation and maintenance of electrical appliances.

1928



公司由创建人的儿子Herbert Waldmann重新规划发展蓝图。

Redevelopment by Herbert Waldmann, son of the company's founder.

1945



开始生产多功能灯具和专用工作灯。

Start of production of multi-purpose luminaires and special tasklights.

1958



在Schwenningen Ost工业园区建造现在的公司大楼。

Construction of the present company building on the Schwenningen Ost industrial estate.

1973



产品范围扩展到医用放射设备

Expansion into medical irradiation equipment.

1975

1930 1940

1950

1960

1970

1980

1971

建立法国和瑞士子公司

Founding of the subsidiaries in France and Switzerland.



1982

建立美国子公司

Founding of the subsidiary in the USA.



Welcome to Waldmann.

As the "Engineer of Light" we have stood for the very best in German workmanship and engineering skills for almost eight decades.

Founded in 1928 as a specialist company for electrical systems and maintaining electrical devices and motors, our company has devoted itself to the topic of light and illumination at the workplace since 1958. In 1975 we expanded into the field of medical irradiation equipment.

As a medium-sized company that continues to be managed by its owner, Waldmann has since grown to become one of the world's leading manufacturers of luminaires. Apart from numerous European subsidiaries, we also have branches in the USA, Singapore and, since 2006, in China as well.

Our product portfolio offers various lighting solutions for a wide range of industries and applications, divided into the areas of Office and Industry: whether a director's room or an open-plan office, a machine room or assembly hall stations - we provide ideal lighting conditions at every workstation using intelligent lighting concepts and first-class products.

In this brochure, we present you with new products as well as a number of Waldmann classics, all embedded in our TWIN-C lighting philosophy.

I wish you boundless inspiration.

Gerhard Waldmann



扩建行政大楼
建造新厂厂房以扩大生产规模

Extension of the administration building. Construction of a new factory building in order to expand production.

1985/86



建造新厂房，以安排灯具组装流水线，高货架仓库及发货区。

Construction of a new factory building for luminaire assembly, high shelf warehouse, despatch.

1991



在Herbert Waldmann去世后，公司由其两个儿子Gerhard Waldmann和Rainer Waldmann接管

Takeover of the company by sons Gerhard and Rainer Waldmann after the death of Herbert Waldmann.

1995



创立瑞士灯光研发机构-Lighting Innovation Group AG (LIG)

Founding of the development company Lighting Innovation Group AG (LIG) in Switzerland.

1998



并购瑞士Derungs Licht AG公司

Takeover of Derungs Licht AG, Switzerland.

1999



建立中国子公司

Founding of the subsidiary in China.

2006

1990

1989

建立意大利子公司

Founding of the subsidiary in Italy.



1992

建立奥地利子公司

Founding of the subsidiary in Austria.

1997

建立新加坡销售子公司

Founding of the sales subsidiary in Singapore.

2000

2000

建立荷兰医疗设备子公司

Founding of the subsidiary for medical equipment in the Netherlands.

2002

建立英国子公司

Founding of the subsidiary in Great Britain.

2005

建立荷兰照明技术子公司

Founding of the subsidiary for lighting technology in the Netherlands.



TWIN-C. 多种照明手段的完美结合

THE RIGHT LIGHTING COMBINATION

光照，绝不仅仅意味着区分出明亮与黑暗。事实上，无数科学研究已经证明，工业场所是否具备适宜的光照对于安全与工作效率是一个决定性的因素。获得适宜的照明取决于一种智能化的照明概念，它能解决和适应不同工作场所的特殊需求。沃达迈（Waldmann）由此创立的照明概念：“双C（TWIN-C）”可以为任何工业场所的照明需求提供具体而实际的解决方案。

在双C（TWIN-C）的照明概念下：首先，我们会同客户一起确定具体的照明需求，其次要考虑各种工作任务的视觉要求及目前工作场所的照明规范及建筑内部布局。基于上述概

念，我们制定有针对性的解决方案，并通过运用优良的构件配置来满足每一个工作场所需求的、理想的照明条件。我们不但满足EN 12464-1规范的要求，而且特别注重人体工程学以及如何提高节能能效。

- ◎ 灵活机动性
- 节能能效
- 照明质量

Lighting is more than the difference between light and dark. Indeed, at industrial workplaces, the right illumination is a decisive factor for safety and productivity—a fact that is underscored by numerous scientific surveys. The correct lighting is thus dependent on an intelligent lighting concept that understands and individually addresses the specific needs of different workplaces. Waldmann has translated this insight into an innovative lighting philosophy that offers practical and detailed solutions for every conceivable lighting task at industrial workplaces: TWIN-C.

Together with our customers, we first determine

the specific lighting requirements, with the visual tasks being given the same consideration as current workplace regulations and the building's interior layout. Using the information acquired in this way, we develop individual solution concepts that provide ideal lighting conditions at every workplace through the intelligent use of coordinated components. Apart from the requirements of DIN EN 12464-1, particular attention is paid to both ergonomic and economic aspects of lighting.

- ◎ FLEXIBILITY
- ENERGY EFFICIENCY
- LIGHTING QUALITY

强聚光金卤灯

适合各种应用场所

CONCENTRATED HALOGEN LIGHT

For all manner of applications



更明亮、更经济实用、更方便灵活。

BRIGHTER.MORE ECONOMICAL.MORE CONVERNIENT.





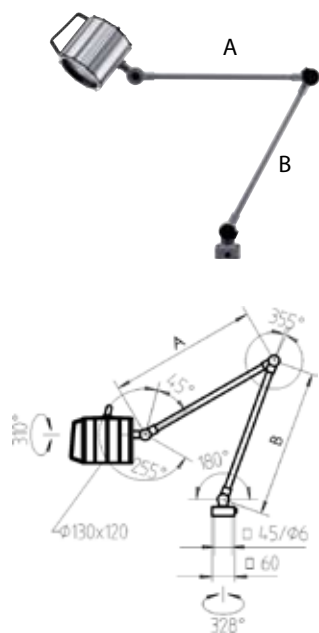
沃达迈（Waldmann）金卤灯MHW60和MHWK60是专门设计用于机床和加工中心里的强照度射灯。

能够非常灵活的、最大限度满足工作区域的照明。

MHW60防水金卤灯有长臂和短臂多种型号，可以根据用户的照射距离灵活的选择和调整。MHWK60防水金卤灯为底座式，多用于内部空间较小，照射区域比较固定的情况。

这个系列的金卤灯均设有开关（IP54）和无开关（IP65）的型号可供选择。都可适用于机器内部有冷却液、油、水等较恶劣的工作环境。

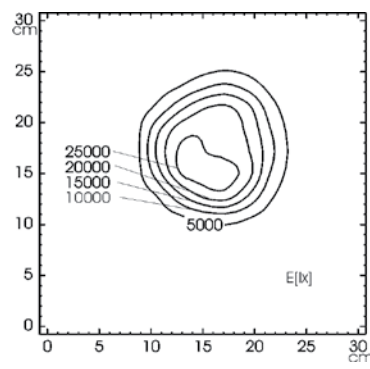
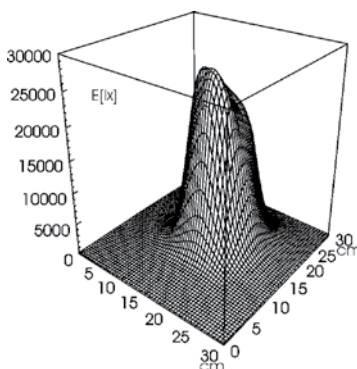
MHW 60 TECHNICAL DATA



CONNECTED LOAD 24V;AC/DC

FITTED WITH 1x60W

ARM LENGTH	OPERATION	SYSTEM OF PROTECTION	MODEL	ORDER NO.
A=400MM B=400MM	WITH SWITCH	IP54	MHW 60	111 950 000
A=220MM B=400MM	WITH SWITCH	IP54	MHW 60	111 950 002
A=220MM B=220MM	WITH SWITCH	IP54	MHW 60	111 980 000





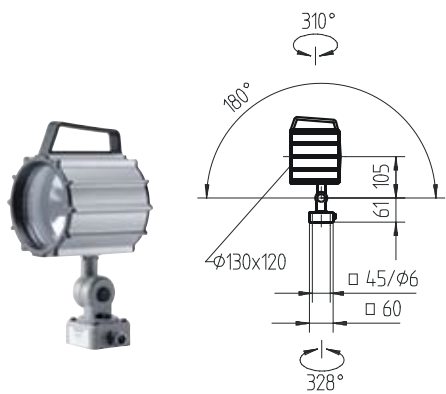
Waldmann Halogen luminaires MHW 60 and MHWK 60 are especially designed for machine tools where special tasks call for an intense and strong pointed light.

A maximum positioning allows a user-friendly lighting in the working area.

The waterproof large halogen luminaire MHW 60 is available as long-arm and short-arm variant, flexible adjusting solutions for even over long distances. The waterproof "head only" version MHWK 60 may be used in areas where space is limited.

These series with a system of protection IP 54 (with switch)/IP65(without switch) are used in machines where coolant, oil and other fluids are present.

MHWK 60 TECHNICAL DATA



CONNECTED LOAD 24V;AC/DC

FITTED WITH 1x60 W

ARM LENGTH	OPERATION	SYSTEM OF PROTECTION	MODEL	ORDER NO.
NO ARM	WITHOUT SWITCH	IP65	MHWK 60	110 960 000
NO ARM	WITH SWITCH	IP54	MHWK 60	110 960 001

TABLE CLAMP



TYPE/MODEL	COLOUR	SPAN	ORDER NO.
TK 1/45	black	0 - 45mm	190 008 019
TK 1/65	black	0 - 65mm	190 007 019
TK 1/135	black	65 - 135mm	190 033 019
TK 1/165	black	95 - 165mm	190 035 019

TABLE BASE



TYPE/MODEL	COLOUR	ORDER NO.
Table base	black	190 036 039

MAGNETIC BASE



TYPE/MODEL	COLOUR	ORDER NO.
Magnetic base	black	190 057 019

WALL BRACKET



TYPE/MODEL	COLOUR	ORDER NO.
Well bracket	black	300 213 018

HEADQUARTERS GERMANY
Herbert Waldmann GmbH & Co. KG
Postfach 50 62
D-78057 Villingen-Schwenningen
Phone +49 7720 601-100
Fax +49 7720 601-290
www.waldmann.com
info@waldmann.com

FRANCE
Waldmann Eclairage S.A.S.
Z.I. Rue de l'Embranchement
F-67116 REICHSSTETT
Mailing address:
BP 23431 Reichstett
F-67455 MUNDOLSHEIM Cedex
Phone +33 (0) 388209588
Fax +33 (0) 388209568
www.waldmann.com
info-fr@waldmann.com

ITALY
Waldmann Illuminotecnica S.r.l.
Via della Pace, 18 A
IT-20098 San Giuliano Milanese (MI)
Phone +39 02 98 24 90 24
Fax +39 02 98 24 63 78
www.waldmann.com
info-it@waldmann.com

THE NETHERLANDS
Waldmann Lichttechnik B.V.
Lingewei 19
NL-4004 LK Tiel
Phone +31 (0) 344 - 631019
Fax +31 (0) 344 - 627856
www.waldmann.com
info-nl@waldmann.com

AUSTRIA
Waldmann Lichttechnik Ges.m.b.H.
Gewerbepark Wagram 7
AT-4061 Pasching/Linz
Phone +43 (0)722967400
Fax +43 (0)722967444
www.waldmann.com
info-at@waldmann.com

SWITZERLAND
Waldmann Lichttechnik GmbH
Benkenstasse 57
CH-5024 Küttigen
Phone +41 (0)62 839 1212
Fax +41 (0)62 839 1299
www.waldmann.com
info-ch@waldmann.com

UK
Waldmann Lighting Ltd.
Holme Well Road
Middleton
GB-Leeds LS 10 4TQ
West Yorkshire
Phone +44 1132775662
Fax +44 1132775775
www.waldmann.com
enquiries@waldmannlighting.co.uk

USA
Waldmann Lighting Company
9 W. Century Drive
Wheeling, Illinois 60090, USA
Phone +1 847 520-1060
Fax +1 847 520-1730
www.waldmannlighting.com
waldmann@waldmannlighting.com

CHINA
Waldmann Lighting (Shanghai) Co. Ltd.
Part A, No. Five Normative Workshop
199 Changjian Road, Baoshan
CN-Shanghai, P.R.C. 200949
Phone +86 21 5169 1799
Fax +86 21 3385 0032
www.waldmann.com
info@waldmann.com.cn
沃达迈灯具制造(上海)有限公司
邮编:200949
地址:中国上海市宝山区长建路199号
5号标准厂房A单元
电话: +86 21 5169 1799
传真: +86 21 3385 0032
www.waldmann.com
info@waldmann.com.cn

SINGAPORE
Waldmann Lighting Singapore Pte. Ltd.
Blk 168, Jalan Bukit Merah,
#04-09B, Connection One, Tower 3,
Singapore 150168
Phone +65 62758300
Fax +65 62758377
www.waldmann.com
sales@waldmann.com.sg

SWEDEN
Waldmann Ljusteknik AB
Skebokvarnsvägen 370
SE-124 50 Bandhagen
Phone +46 8 990 350
Fax +46 8 991 609
www.waldmann.se
hk@idecenter.se