

P1602G

Specifications:

IEE 802.3 Ethernet Compatible

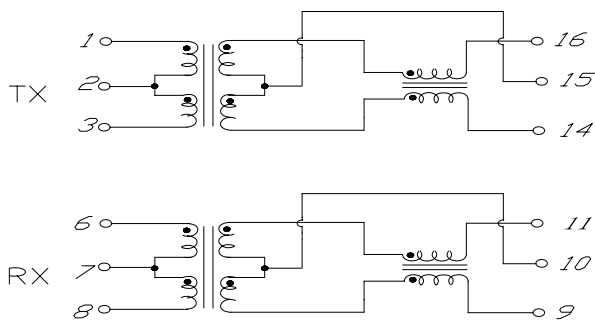
16-PIN Surface Mountable

Enhanced Common Mode Attenuation

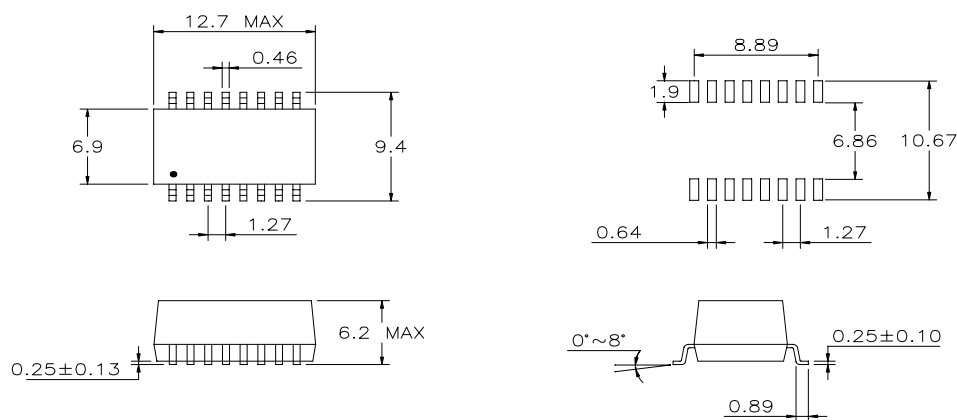
Electrical Specification @25°C Operating Temperature 0°C to 70°C

P/N	TRNS RATIO (PRI:SEC ±3%)		OCL (uH Min) with 8mA DC	HI-POT VRMS (MIN)	Insertion Loss (dB MAX)	Return Loss (dB Min)				Cross Talk (dB MIN)
	TX	RX				1-30 MHZ	40-50 MHZ	60-80 MHZ	100 MHZ	
P1602G			350	1500	0.1-100 MHZ	1-30 MHZ	40-50 MHZ	60-80 MHZ	100 MHZ	01-100MZ
	1CT:1CT	1CT:1CT			-1.1	-16	-14	-12	-11	-40

Schematic:



Dimensions:



Units: mm

Unless otherwise specified all tolerances are ±0.25.