

# PH1012G

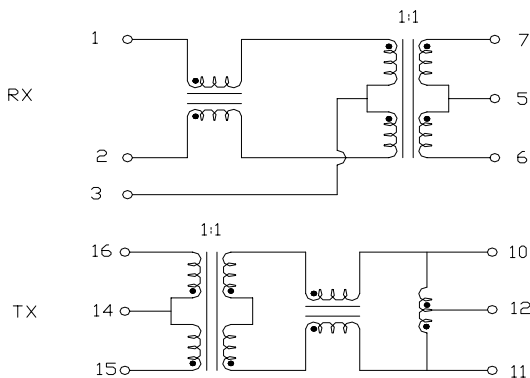
## Specifications:

**IEE 802.3 Ethernet Compatible**  
**16-PIN Surface Mountable**  
**Enhanced Common Mode Attenuation**

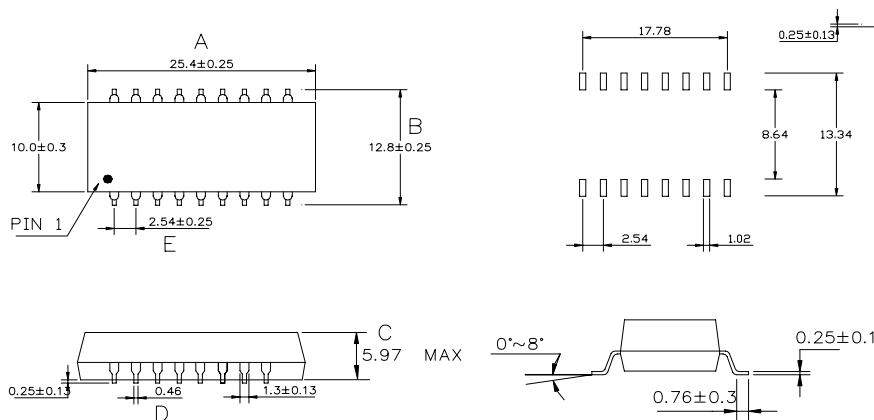
**Electrical Specification @25°C Operating Temperature 0°C to 70°C**

P/N	TRNS RATIO (PRI:SEC ± 3%)		OCL (uH Min) with 8mA DC	HI-POT VRMS (MIN)	Insertion Loss (dB MAX)	Return Loss (dB Min)				Cross Talk (dB MIN)
	TX	RX				1-30 MHZ	40-50 MHZ	60-80 MHZ	100 MHZ	
PH1012G			350	1500	0.1-100 MHZ	1-30 MHZ	40-50 MHZ	60-80 MHZ	100 MHZ	01-100MZ
	1CT:1CT	1CT:1CT			-1.1	-18	-16	-14	-12	-40

## Schematic:



## Dimensions:



Dimensions: mm  
 Unless otherwise specified, all tolerances are ±0.5