

PH5012G

Specifications:

1000BASE-TX QUAD PORT TRANSFORMER MODULES

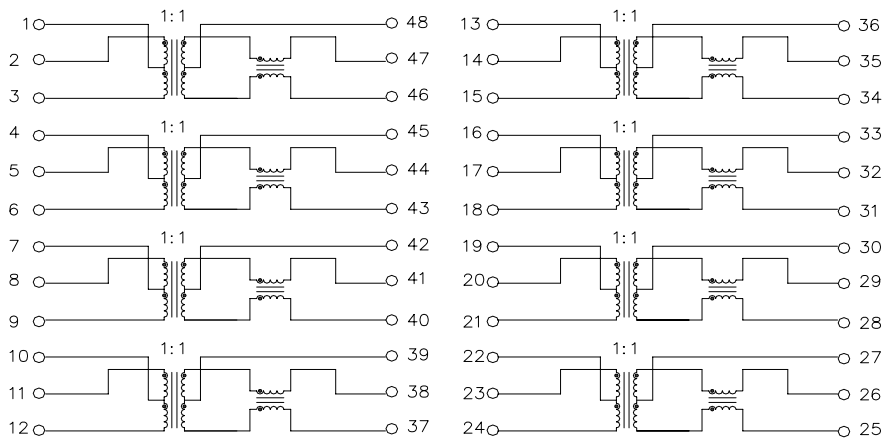
Compliant with IEE 802.3u for 1000Base-T

HI-POT 1500V

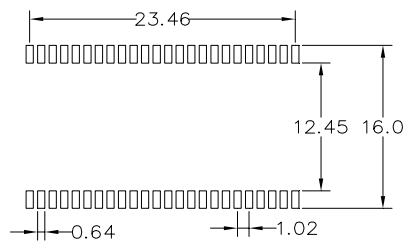
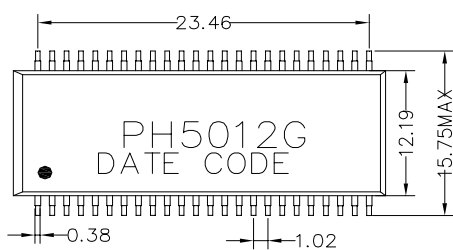
Electrical Specification @25°C Operating Temperature 0°C to 85°C

P/N	TRNS RATIO (PRI:SEC ±3%)		OCL (uH Min) with 8mA DC	Insertion Loss (dB MAX)	Return Loss (dB Min)				Cross Talk (dB MIN)
	TX	RX			2-30MHZ	40MHZ	50MHZ	60-80MHZ	
PH5012G	TX	RX	350	01-100MHZ	2-30MHZ	40MHZ	50MHZ	60-80MHZ	01-100MZ
	1CT:1CT	1CT:1CT		-1	-18	-14	-13	-12	-35

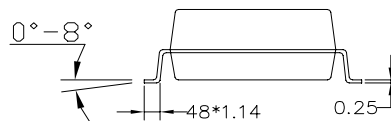
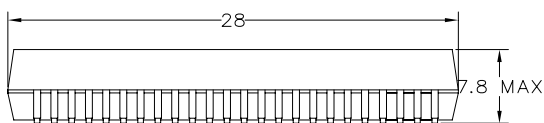
Schematic:



Dimensions:



SUGGESTED LAND PATTERN



Dimensions in mm

Unless otherwise specified, all tolerances @ 25