

PH5007G

Specifications:

1000BASE-T MAGNETICS MODULES

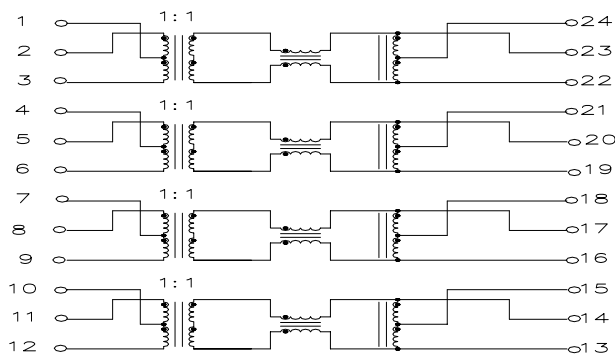
Meets IEEE 802.3 specification

HI-POT 1500V

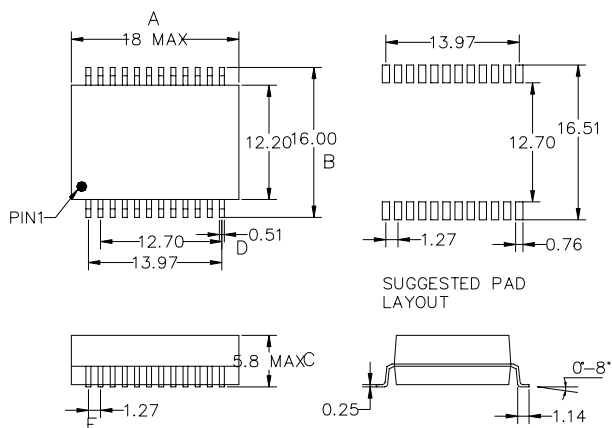
Electrical Specification @25°C Operating Temperature 0°C to 70°C

P/N	TRNS RATIO (PRI:SEC ± 3%)		OCL (uH Min) with 8mA DC	Insertion Loss (dB MAX)	Return Loss (dB Min)				Cross Talk (dB MIN)
	TX	RX			0.3-30 MHZ	30-60 MHZ	50 MHZ	60-80 MHZ	
PH5007G	1CT:1CT	1CT:1CT	350	0.3-100MHZ	-18	-14	-11	-10	01-100MZ
				-1.1					-35

Schematic:



Dimensions:



Dimensions in mm

Unless otherwise specified, all tolerances are ±0.25