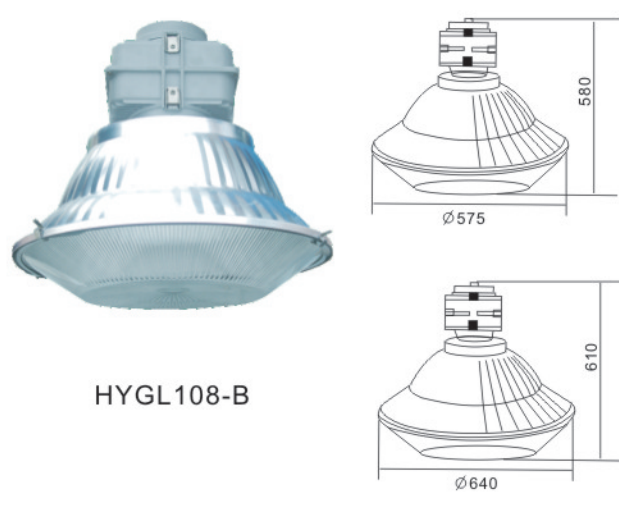


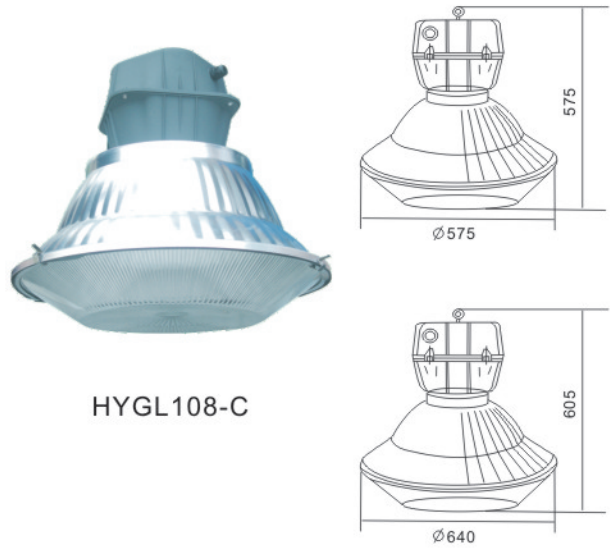
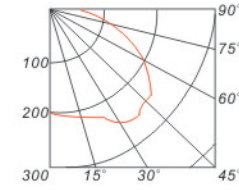
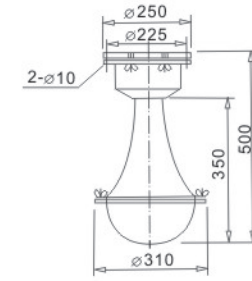
HYGL108-A



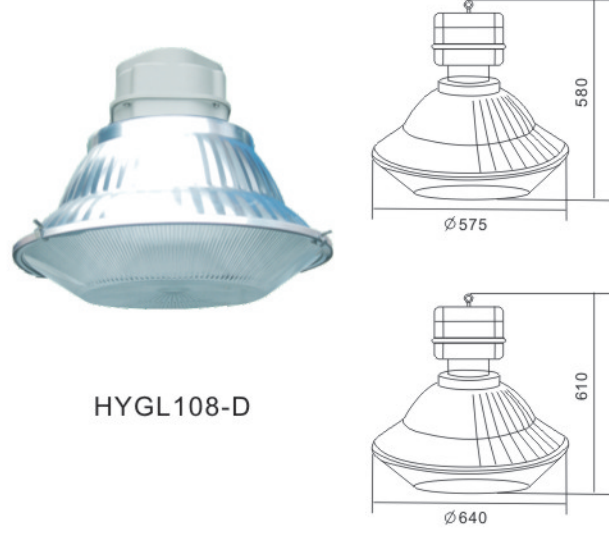
HYGL108-B



HYGL58



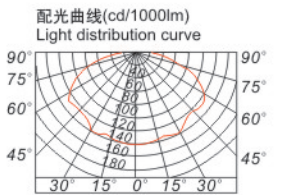
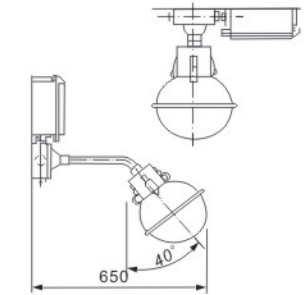
HYGL108-C



HYGL108-D



HYGL59



材料及特性

- 高压压铸铝成型电器箱外壳, 配合高纯铝条径型反射罩. 灯具电器一体化, 结构小巧, 美观, 重量轻. 安装简单(可采用管吊、钩吊或吸吊等不同安装方式), 拆卸方便, 使用范围广.
- 工业厂房、体育馆、商业场所或其他高大厅房等照明.

Materials & Character:

- High-pressure aluminum die casting electric box matches the high purity aluminum strip type reflector. Integrated light fixture and electric appliance, with the dedicate structure, beautiful appearance and lightweight. Simple installation (different installation manners such as pipe suspending, hook suspending or suction suspending are available,) convenient disassembly, and wide range of use.
- The illumination of industrial factory buildings, gymnasiums, Emporium locations or other high and large halls etc.

