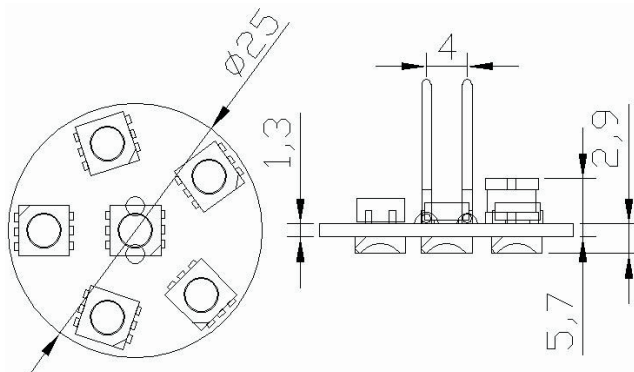


**FOR-Z00G4-B06000-30WW-AM**

Package Dimensions (Unit:mm) :

**DESCRIPTION****A Electronics And Optical Characteristics: Ta=25°C**

Emitting Color	Forward Voltage Unit:v	Totality Luminous flux Unit:LM	Single LED Intensity Unit:mcad	Dominant Wavelength Unit:nm	Viewing Angle Unit:deg	Color Temperature Unit:K
NW	30	60	4000-5000	---	120	3600-4600
WW	30	59	3000-4000	---	120	2700-3500
CW	30	60	4000-5000	---	120	6000-7000
Test Condition	Test Voltage: 30V		Current: 32mA±10%		Power: 1W	
IR max: 5V/5μA/per chip		VR= 5V/per chip				

B Absolute Maximum Ratings AT Ta=25°C

PARAMETER	MAX	UNIT
Continuous Forward Current	25	mA/per chip
Peak Forward Current (1/10 Duty Cycle 0.1ms Pulse Width)	100	mA/per chip
Reverse Voltage	5	V/per chip
Operating Temperature Range	-30°C to +75°C	
Storage Temperature/Humidity Range	-40°C to +85°C (/15%to85%)	

Lead Solder Temperature 1.6mmBelow Package 260°C For 5 seconds

Features: The light using LED of environmental protection, high light efficiency, no infrared light as the light source! Used in all kinds of cars with high efficient illuminance,,long distance irradiation etc.!

Application: Used as turn signal,brake lights ,tail lights, etc.,it has clew effect to passing vehicles and pedestrians!

- Card size: 145mm*80mm
- Packaging : White box (1 pcs)
- Net weight: 4g
- Gross amount: 9. 4g
- Packing size: 210*150*90mm
- Carton size: 43*31*29cm
- Packaging Quantity : 216set(216pcs)

**PACKAGE****CONTACT US**

* Can choose to use color cards to customer requirements

<http://www.forever-in-china.com>

Tel:86 0755 29890666/29890977/76/75

Add:Building 7, Shangcun Xufa Technology Zone, Gongming Town, Baoan District, Shenzhen, Guangdong, China