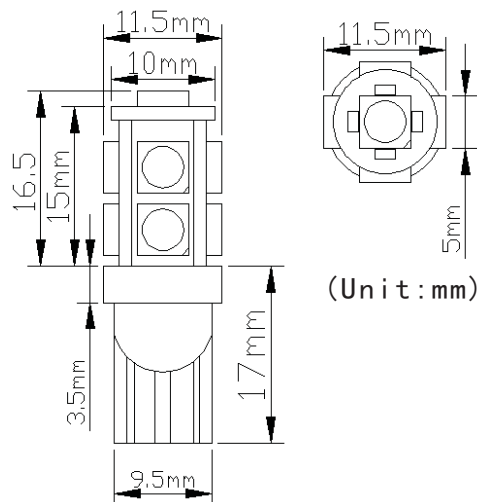


PRODUCT TYPE

FOR-Z0T10-B09000-120W-AW



DESCRIPTION

T10 car led bulb 5050*9PCS 12V White

A Electronics And Optical Characteristics: Ta=25°C

Emitting Color	Forward Voltage Unit:v	Totality Luminous flux Unit:LM	Single LED Intensity Unit:mcd	Dominant Wavelength Unit:nm	Viewing Angle Unit:deg	Color Temperature Unit:K
NW	12	90	4000-4500	---	360	4000-5000
WW	12	90	4000-4500	---	360	2700-3500
CW	12	90	4000-4500	---	360	6000-7000
Test Condition	Test Voltage: 12V		Current: 90mA±10%		Power: 1.08W	
IR max: 10 μA/per chip			VR= 3.3V/per chip			

B Absolute Maximum Ratings AT Ta=25°C

PARAMETER	MAX	UNIT
Continuous Forward Current	20	mA/per chip
Peak Forward Current (1/10 Duty Cycle 0.1ms Pulse Width)	100	mA/per chip
Reverse Voltage	5	V/per chip
Operating Temperature Range	-30°C to +75°C	
Storage Temperature/Humidity Range	-40°C to +100°C (/40%to70%)	

Lead Solder Temperature 1.6mmBelow Package 260°C For 5 seconds

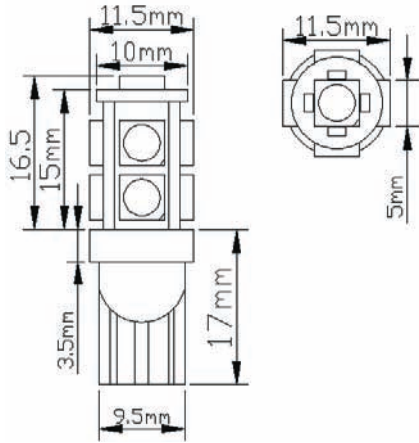
Usage: LED dashboard bulb, LED indicator bulb, LED sidelight, LED door light...

Advantage: LED with high-quality silica gel encapsulation, good color rendering, high luminous efficiency, emitting color uniformity with 360 degree, compact good looks, Internal electronic components with stable performance.

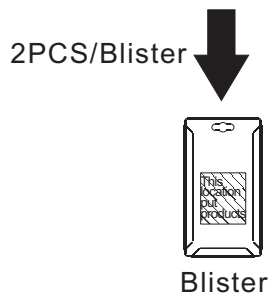
PACKAGE

FOR-Z0T10-B09000-120W-AW

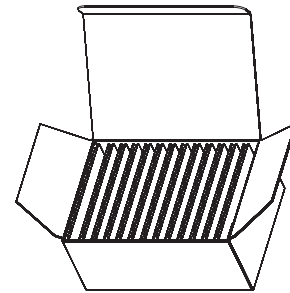
Package Dimensions (Unit:mm) :



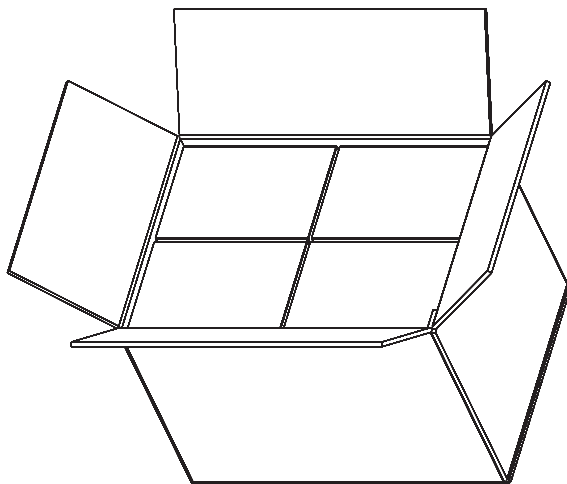
- Packaging: 2 #Blister Card(2 pcs)
- Net weight: 3g
- Gross weight: 11. 9g
- Box size: 210*150*92mm
- Carton size: 440*320*310mm
- Packaging Quantity: 624pcs



26Blister/ box

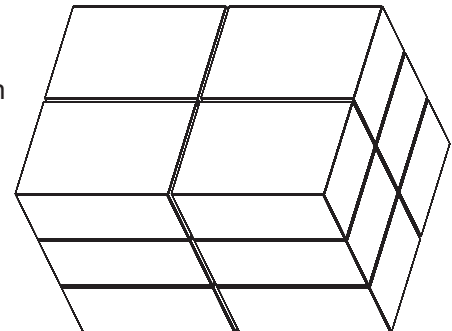


box size(L210*W150*H92MM)



Carton(L440*W320*H310MM)

12 boxes/carton



CONTACT US