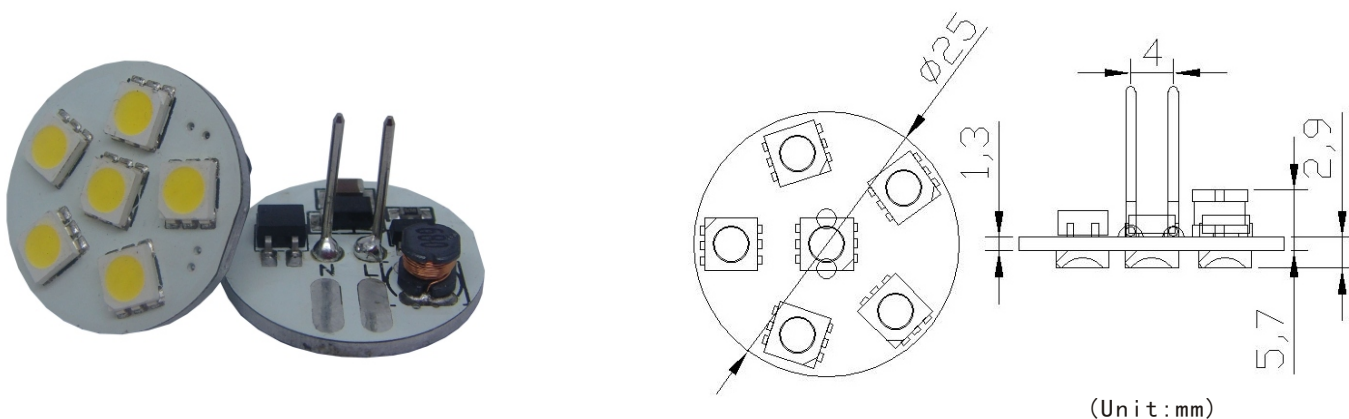


PRODUCT TYPE

FOR-Z00G4-B06000-300W-AM



(Unit:mm)

DESCRIPTION

G4 car LED bulb 5050SMD*6PCS 8-30V White

A Electronics And Optical Characteristics: Ta=25°C

Emitting Color	Forward Voltage Unit:v	Totality Luminous flux Unit:LM	Single LED Intensity Unit:mcd	Dominant Wavelength Unit:nm	Viewing Angle Unit:deg	Color Temperature Unit:K
NW	12	60	5400-7500	---	120	4000-5000
WW	12	60	5400-7500	---	120	2700-3500
CW	12	60	5400-7500	---	120	6000-7000
Test Condition	Test Voltage: 12V		Current: 60mA±10%		Power: 0.72W	
IR max: 10 μA/per chip			VR= 5V/per chip			

B Absolute Maximum Ratings AT Ta=25°C

PARAMETER	MAX	UNIT
Continuous Forward Current	60	mA/per chip
Peak Forward Current (1/10 Duty Cycle 0.1ms Pulse Width)	100	mA/per chip
Reverse Voltage	5	V/per chip
Operating Temperature Range	-30°C to +75°C	
Storage Temperature/Humidity Range	-40°C to +100°C (/40%to70%)	

Lead Solder Temperature 1.6mmBelow Package 260°C For 5 seconds

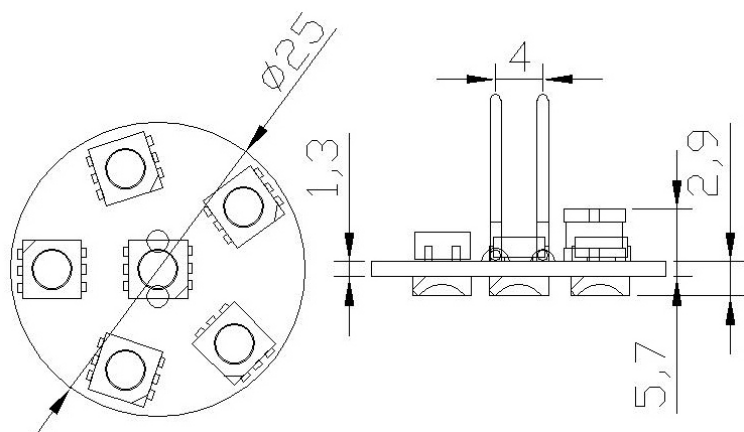
Usage:wide application G4 indicator lights, for store, Shop Exhibition, hotels, restaurants and Craft lighting lamps and lanterns.

Advantage:wide voltage design G4 lamp to have more stable current, with aluminum plate printing circuit for fast heat dissipation, good color rendering, no radiation, no flicker, high brightness, offer pollution-free, high quality light source, AC and DC are available, non-polarity.

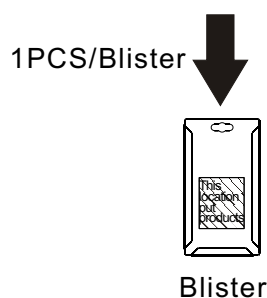
PACKAGE

FOR-Z00G4-B06000-300W-AM

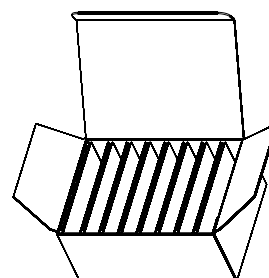
Package Dimensions (Unit:mm) :



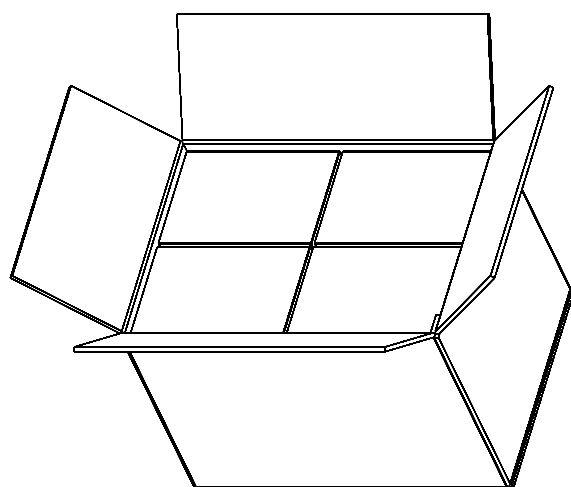
- Packaging: 26 #Blister Card(1 pcs)
- Net weight: 4g
- Gross weight: 12. 9g
- Box size: 210*150*92mm
- Carton size: 440*320*310mm
- Packaging Quantity: 192pcs



16Blister/ box



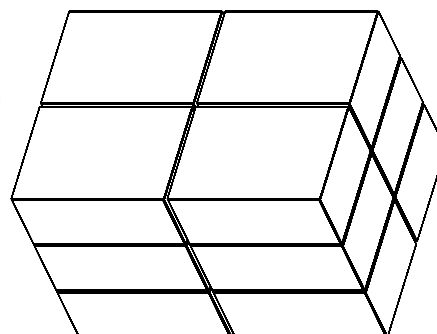
box size(L210*W150*H92MM)



Carton(L440*W320*H310MM)



12 boxes



12 boxes/carton



CONTACT US