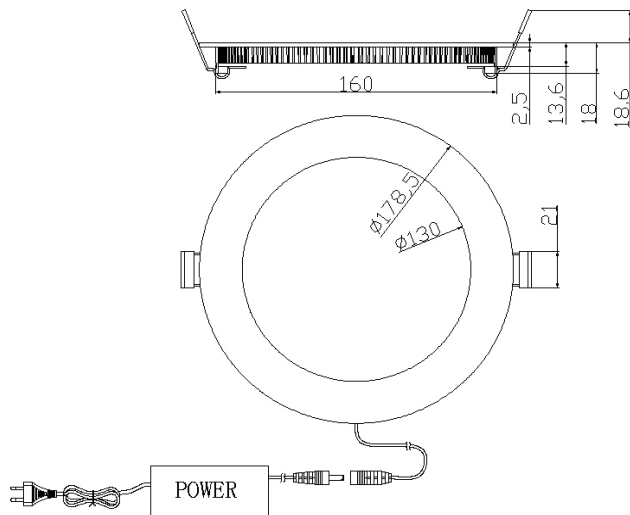


PRODUCT TYPE

FOR-EW60CD0003



(UNIT : MM)

DESCRIPTION

Panel lights 3528SMD * 112PCS AC110-240V White 6000K Round

A Electronics And Optical Characteristics: Ta=25°C

Emitting Color	Forward Voltage Unit:v	Totality Luminous flux Unit:LM	Single LED Intensity Unit:mcd	Dominant Wavelength Unit:nm	Viewing Angle Unit:deg	Color Temperature Unit:K
NW	110-240	560	1800-2500	---	120	4000-5000
WW	110-240	560	1800-2500	---	120	2700-3500
CW	110-240	560	1800-2500	---	120	6000-7000
Test Condition	Test Voltage: 24V			Current: 240mA±10%		Power: 5.76 W
IR max: 10 μA/per chip			VR= 5V/per chip			

B Absolute Maximum Ratings AT Ta=25°C

PARAMETER	MAX	UNIT
Continuous Forward Current	20	mA/per chip
Peak Forward Current (1/10 Duty Cycle 0.1ms Pulse Width)	100	mA/per chip
Reverse Voltage	5	V/per chip
Operating Temperature Range	-30°C to +75°C	
Storage Temperature/Humidity Range	-40°C to +100°C (/40%to70%)	

Lead Solder Temperature 1.6mmBelow Package 260°C For 5 seconds

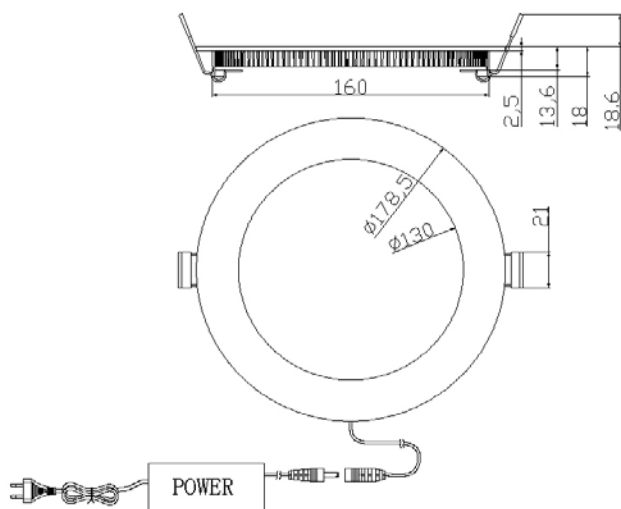
Usage:Instead of traditional spotlight, widely used in indoor decoration lighting and outdoor decorative lighting, such as villa, hotel, conference room, Exhibition Hall, stores, telephone booth.

Advantage:soft brightness, color fidelity, aesthetically beautiful and safe use of neatly packaged with DC Power, stable performance, no infrared light.

PACKAGE

FOR-EW60CD0003

Package Dimensions (Unit:mm) :



- Packaging: box(1 pack)
- Net weight: 320g
- Gross weight: 450g
- Box size: L285*W56*H230mm
- Carton size: L310*W300*H250mm
- Packaging Quantity: 5set

1pcs panel lights/
Pearl cotton bags



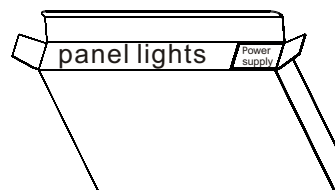
Pearl cotton bags
(Outfit panel lights)

1PCS Power supply/
Plastic bags



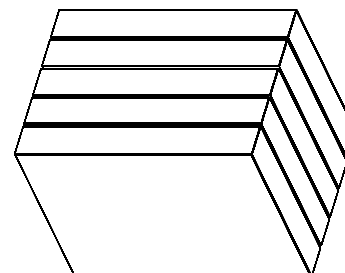
Plastic bags
(Outfit power supply)

1set/box

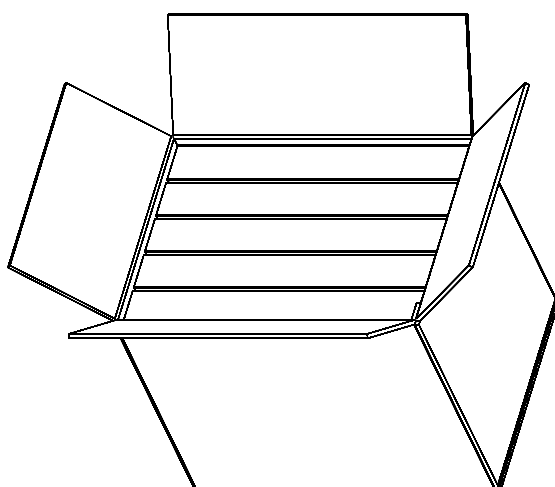


Box(L285*W56*H230MM)

5 boxes



5boxes/carton



Carton1PCS(L310*W300*H250MM)

CONTACT US

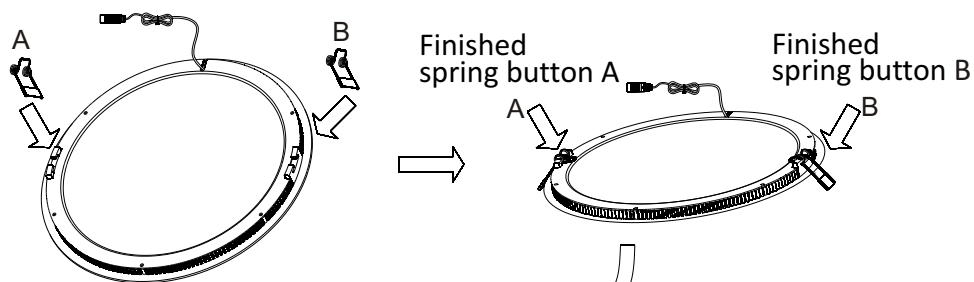
<http://www.forever-in-china.com>

Tel:86 0755 29890666/29890977/76/75

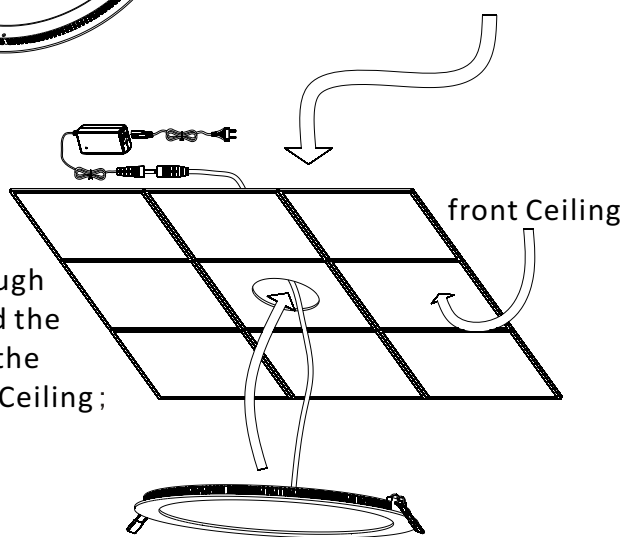
Add:Building 7, Shangcun Xufa Technology Zone, Gongming Town, Baoan District, Shenzhen, Guangdong, China.

Installation Instruction:

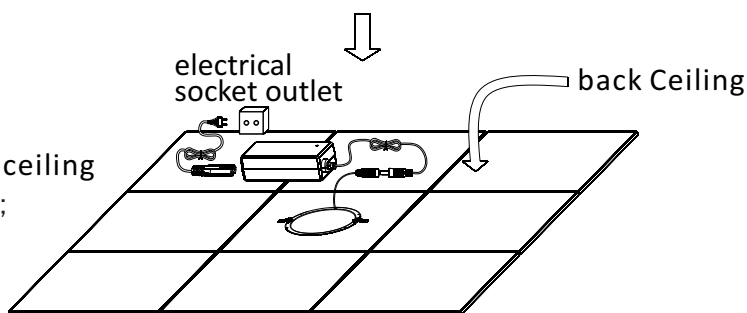
Step1: do up the A & B Spring buttons on the panel;



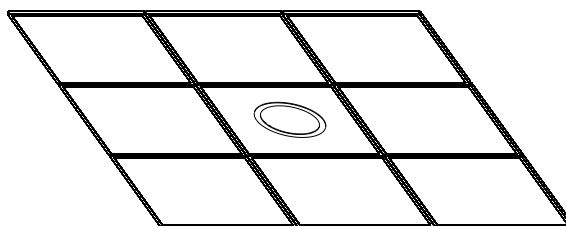
Step2: pass the panel DC wire through the hole of the ceiling, fitted the panel in the hole and do up the A & B Spring buttons on the Ceiling;



Step3: Put the power into the ceiling and turn the switch on;



Step4: finished installation.



CONTACT US