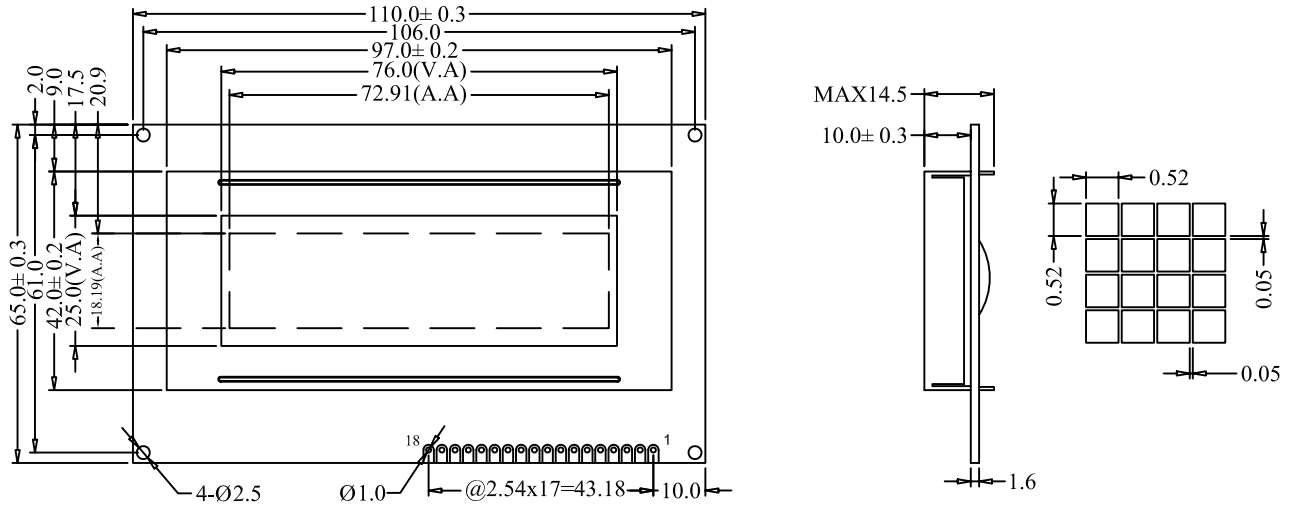


1.DIMENSION OUTLINE



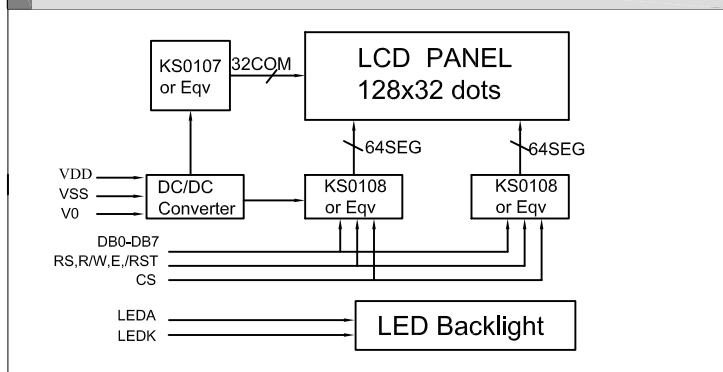
2.MECHANICAL SPECIFICATIONS

ITEM	SPECIFICATIONS	ITEM	REMARK
Module Size(L×W×H)	110.0×65.0×14.5	mm	Reference Dimensional Outline
View Area(W×H)	76.0×25.0	mm	
Effective V/Area	72.91×18.19	mm	
Number of Characters	128×32	-	
Dot Pitch(W×H)	0.57×0.57	mm	
Dot Size(W×H)	0.52×0.52	mm	
Weight (Reflective/Led)	-	g	

3.ABSOLUTE MAXIMUM RATINGS

ITEM	SYMBOL	CONDITION	STANDARD	
			MIN	MAX
Logic Voltage	V _{DD}	Ta=25°C	-0.3V	7V
LCD Voltage	V _{LCD}		-0.3V	17.5V
Input Voltage	V _I		-0.3V	V _{DD} +0.3V
Operation Temperature	T _{OP}	—	-20°C	70°C
Storage Temperature	T _{st}	—	-30°C	80°C

4.BLOCK DIAGRAM MECHANICAL



5.LED BACKLIGHT SPECIFICATIONS

ITEM	SYMBOL	TYPE	MAX	UNIT
Ta=25°C (Yellow-Green LED Light)				
Forward Voltage	V _f	4.1	4.3	V
Forward Current	I _f	200	—	mA
Emission Wavelength	λ _p	568	—	nm

6.INTERFACE PIN CONNECTIONS

ITEM	SYMBOL	LEVEL	FUNCTIONS
1	LEDK	0V	Power supply For LED Backlight
2	LEDA	+5V	
3	V0	—	Contrast adjust
4	VDD	+5V	Power Supply For Logic
5	VSS	0V	Power Ground
6	E	H.H→L	Enable signal
7	RS	H/L	H:data L:command
8	R/W	H/L	H:read L:write
9	CS	H/L	Chip selection
10	/RST	L	Reset signal
11-18	DB0-DB7	H/L	Data Bus

7.ELECTRICAL CHARACTERISTICS

ITEM	SYMBOL	MIN	TYPE	MAX	UNIT
Ta=25°C					
Logic Power	V _{DD}	4.5	5	5.5	V
Input High Voltage	V _{IH}	0.8VDD	—	V _{DD}	V
Input Low Voltage	V _{IL}	VSS	—	0.8	V
Output High Voltage	V _{OH}	2.4	—	—	V
Output Low Voltage	V _{OL}	0	—	0.4	V
Logic Current	I _{DD}	—	6	8	mA
Operation Voltage For LCD	VDD-V0	—	5	—	V