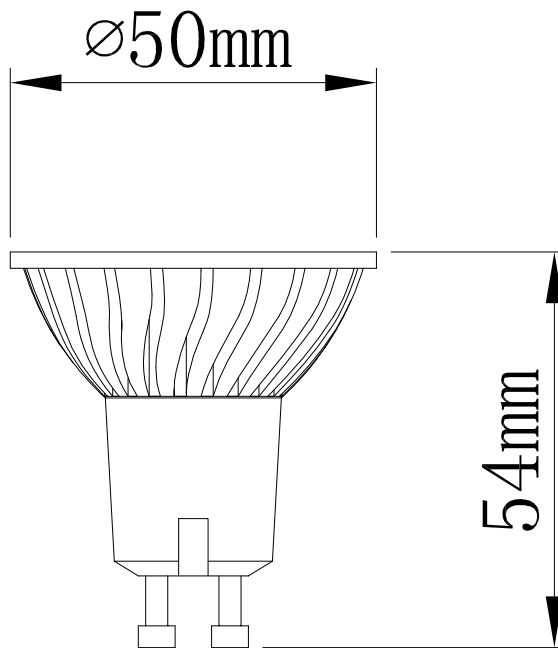
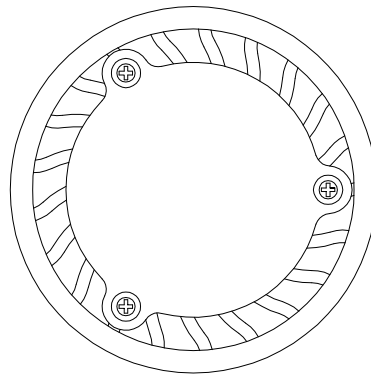


REV.	DESCRIPTION	DRAWN	CHECKED	APPROVED
A	NEW RELEASE	2011-03-04		



GENERAL TOLERANCE		ANGLE TOLERANCE		PROJECTION		PR-3x1WGU10	
X.	±0.60	X.	±5°	UNITS	mm		
.X	±0.38	.X	±3°	SHEET SIZE	A4	SERIES	
.XX	±0.25	.XX	±2°	宁波普锐电子科技有限公司 NingBo Prime Electronic Technology Co.,Ltd			
DRAWING TYPE		CUSTOMER					
SCALE	1:1	SHEET					
DRAWING NO.							