

## 300mA High Speed LDO Regulator with ON/OFF Switch

*Preliminary (For Test Sample)*

### GENERAL DESCRIPTION

The XC6228 series is a high speed LDO regulator that features high accurate, low noise, high ripple rejection, low dropout and low power consumption. The series consists of a voltage reference, an error amplifier, a driver transistor, a current limiter, a phase compensation circuit.

The CE function enables the circuit to be in stand-by mode by inputting low level signal. In the stand-by mode, the series enables the electric charge at the output capacitor  $C_L$  to be discharged via the internal switch, and as a result the  $V_{OUT}$  pin quickly returns to the  $V_{SS}$  level. The output stabilization capacitor  $C_L$  is also compatible with low ESR ceramic capacitors.

The output voltage is selectable from 1.2V, 1.5V, 1.8V, 2.5V, 2.8V, 3.0V, 3.1V, 3.3V which fixed by laser trimming technologies. The over current protection circuit is built-in. This protection circuit will operate when the output current reaches current limit level.

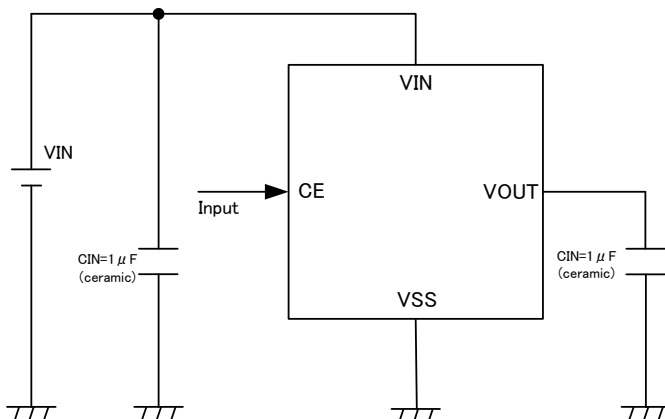
### APPLICATIONS

- Digital still cameras
- Cell phones
- Portable games
- Camera modules
- IC recorders
- Portable media players
- Bluetooth
- Wireless LAN
- Terrestrial digital TV tuners
- Cordless phones

### FEATURES

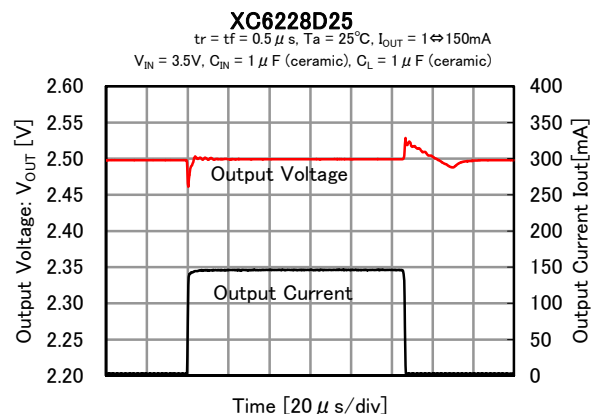
|                                 |   |
|---------------------------------|---|
| <b>Maximum Output Current</b>   | : 300mA   |
| <b>Input Voltage Range</b>      | : 1.6~5.5V  |
| <b>Output Voltages</b>          | : 1.2V, 1.5V, 1.8V, 2.5V, 2.8V, 3.0V, 3.1V, 3.3V<br>( $\pm 2\%$ ) |
| <b>Dropout Voltage</b>          | : 200mV@ $I_{OUT}=300mA$ ( $V_{OUT}=3.0V$ )                       |
| <b>Low Power Consumption</b>    | : 100 $\mu A$   |
| <b>Stand-by Current</b>         | : 0.1 $\mu A$   |
| <b>High Ripple Rejection</b>    | : 80dB@f=1kHz   |
| <b>Protection Circuits</b>      | : Current Limit (400mA)<br>Short Circuit Protection               |
| <b>Low ESR Capacitors</b>       | : $C_{IN}=1 \mu F$ , $C_L=1 \mu F$                                |
| <b>CE Function</b>              | : Active High, $C_L$ High Speed Discharge                         |
| <b>Small Package</b>            | : SOT-25J   |
| <b>Environmentally Friendly</b> | : EU RoHS Compliant, Pb Free                                      |

### TYPICAL APPLICATION CIRCUIT

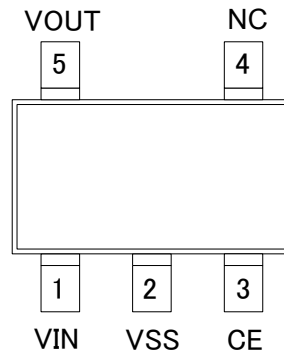


### TYPICAL PERFORMANCE CHARACTERISTICS

#### ● Load Transient Response



## PIN CONFIGURATION



SOT-25J  
(TOP VIEW)

## PIN ASSIGNMENT

| PIN NUMBER | PIN NAME | FUNCTIONS      |
|------------|----------|----------------|
| 1          | VIN      | Power Input    |
| 5          | VOUT     | Output         |
| 2          | VSS      | Ground         |
| 3          | CE       | ON/OFF Control |
| 4          | NC       | No Connection  |

## PIN FUNCTION ASSIGNMENT

| CE INPUT SIGNAL | IC OPERATION STATE |
|-----------------|--------------------|
| H               | ON                 |
| L               | OFF (Stand-by)     |
| OPEN            | OFF (Stand-by) *   |

\* An internal pull-down resistor maintains the CE pin voltage to be low.

## PRODUCT CLASSIFICATION

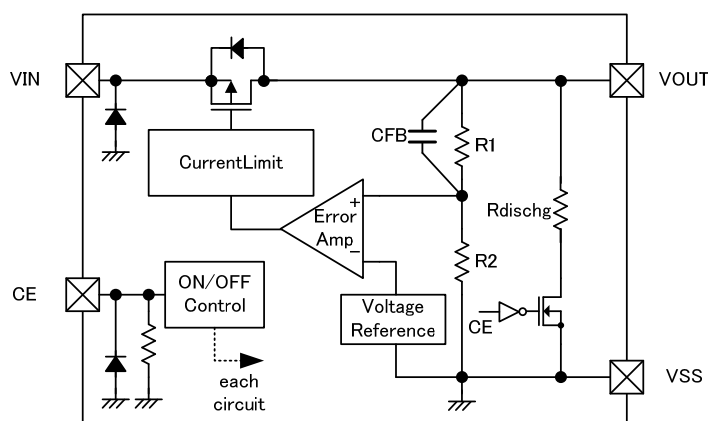
Ordering Information

XC6228D①②③④⑤-⑥<sup>(\*)</sup>

| DESIGNATOR          | ITEM                    | SYMBOL | DESCRIPTION          |
|---------------------|-------------------------|--------|----------------------|
| ①②                  | Output Voltage          | 12     | 1.2V                 |
|                     |                         | 15     | 1.5V                 |
|                     |                         | 18     | 1.8V                 |
|                     |                         | 25     | 2.5V                 |
|                     |                         | 28     | 2.8V                 |
|                     |                         | 30     | 3.0V                 |
|                     |                         | 31     | 3.1V                 |
| 33                  | 3.3V                    |        |                      |
| ③                   | Output Voltage Accuracy | 2      | ±2%                  |
| ④⑤-⑥ <sup>(*)</sup> | Package (Order Unit)    | VR-G   | SOT-25J (3,000/Reel) |

<sup>(\*)</sup> The "-G" suffix indicates that the products are Halogen and Antimony free as well as being fully RoHS compliant.

## BLOCK DIAGRAMS



XC6228Dseries

## ABSOLUTE MAXIMUM RATINGS

| PARAMETER                   | SYMBOL    | RATINGS                       | UNITS                            |
|-----------------------------|-----------|-------------------------------|----------------------------------|
| Input Voltage               | $V_{IN}$  | $V_{SS}-0.3 \sim +7.0$        | V                                |
| Output Current              | $I_{OUT}$ | 500 <sup>(*)</sup>            | mA                               |
| Output Voltage              | $V_{OUT}$ | $V_{SS}-0.3 \sim +V_{IN}+0.3$ | V                                |
| CE Input Voltage            | $V_{CE}$  | $V_{SS}-0.3 \sim +7.0$        | V                                |
| Power Dissipation           | SOT-25J   | Pd                            | TBD                              |
|                             |           |                               | TBD (PCB mounted) <sup>(*)</sup> |
| Operating Temperature Range | $T_{opr}$ | -40 ~ +85                     | °C                               |
| Storage Temperature Range   | $T_{stg}$ | -55 ~ +125                    | °C                               |

<sup>(\*)</sup> :  $I_{OUT} \cdot Pd / (V_{IN}-V_{OUT})$

<sup>(\*)</sup> : This power dissipation figure shown is PCB mounted and is for reference only.

## ELECTRICAL CHARACTERISTICS

●XC6228D Series

Ta=25°C

| PARAMETER                                  | SYMBOL   | CONDITIONS  | MIN.                               | TYP.      | MAX.  | UNITS    | CIRCUITS |   |
|--|--|---|------------------------------------|-----------|-------|----------|----------|---|
| Output Voltage                             | $V_{OUT(E)}$ <sup>(*)1</sup>                           | $V_{CE}=V_{IN}, I_{OUT}=10mA$   | 1.176                              | 1.20      | 1.224 | V        | ①        |   |
|  |  |   | 1.470                              | 1.50      | 1.530 |          |          |   |
|  |  |   | 1.764                              | 1.80      | 1.836 |          |          |   |
|  |  |   | 2.450                              | 2.50      | 2.550 |          |          |   |
|  |  |   | 2.744                              | 2.80      | 2.856 |          |          |   |
|  |  |   | 2.940                              | 3.00      | 3.060 |          |          |   |
|  |  |   | 3.038                              | 3.10      | 3.162 |          |          |   |
|  |  |   | 3.234                              | 3.30      | 3.366 |          |          |   |
| Maximum Output Current                     | $I_{OUTMAX}$   | $V_{CE}=V_{IN}$   | 300                                | -         | -     | mA       | ①        |   |
| Load Regulation                            | $\Delta V_{OUT}$                                       | $V_{CE}=V_{IN}, 0.1mA \leq I_{OUT} \leq 300mA$  | -                                  | 25        | 45    | mV       | ①        |   |
| Dropout Voltage                            | $V_{dif}$ <sup>(*)4</sup>                              | $V_{CE}=V_{IN}, I_{OUT}=300mA$  | $V_{OUT(T)}$ <sup>(*)2</sup> =1.2V | -         | 480   | 630      | mV       | ① |
|  |  |   | =1.5V                              | -         | 420   | 460      |          |   |
|  |  |   | =1.8V                              | -         | 300   | 410      |          |   |
|  |  |   | =2.5V~2.8V                         | -         | 240   | 350      |          |   |
|  |  |   | =3.0V~3.3V                         | -         | 200   | 305      |          |   |
| Supply Current                             | $I_{SS}$   | $V_{CE}=V_{IN}$   | -                                  | 100       | 220   | $\mu A$  | ②        |   |
| Stand-by Current                           | $I_{stby}$   | $V_{CE}=V_{SS}$   | -                                  | 0.01      | 0.4   | $\mu A$  | ②        |   |
| Line Regulation                            | $\frac{\Delta V_{OUT}}{(\Delta V_{IN} \cdot V_{OUT})}$ | $V_{OUT(T)}+0.5V \leq V_{IN} \leq 5.5V$<br>$V_{CE}=V_{IN}, I_{OUT}=50mA$  | -                                  | 0.01      | 0.1   | %/V      | ①        |   |
| Input Voltage                              | $V_{IN}$   | -   | 1.6                                | -         | 5.5   | V        | ①        |   |
| Output Voltage Temperature Characteristics | $\frac{\Delta V_{OUT}}{(\Delta Ta \cdot V_{OUT})}$     | $V_{CE}=V_{IN}, I_{OUT}=10mA$<br>$-40^{\circ}C \leq Ta \leq 85^{\circ}C$  | -                                  | $\pm 100$ | -     | ppm/°C   | ①        |   |
| Ripple Rejection Rate                      | PSRR   | $V_{OUT(T)} < 2.5V$<br>$V_{IN} = 3.0V_{DC} + 0.5V_{p-pAC}$<br>$V_{CE} = V_{OUT(T)} + 1.0V$<br>$I_{OUT} = 30mA, f = 1kHz$                      | -                                  | 80        | -     | dB       | ③        |   |
|  |  | $V_{OUT(T)} \geq 2.5V$<br>$V_{IN} = \{V_{OUT(T)} + 1.0\} V_{DC} + 0.5V_{p-pAC}$<br>$V_{CE} = V_{OUT(T)} + 1.0V$<br>$I_{OUT} = 30mA, f = 1kHz$ |                                    |           |       |          |          |   |
| Current Limit                              | $I_{LIM}$  | $V_{CE}=V_{IN}$   | 310                                | 400       | -     | mA       | ①        |   |
| Short Current                              | $I_{SHORT}$  | $V_{CE}=V_{IN}$<br>$V_{OUT}=V_{SS}$   | -                                  | 50        | -     | mA       | ①        |   |
| CE High Level Voltage                      | $V_{CEH}$  | -   | 1.0                                | -         | 5.5   | V        | ④        |   |
| CE Low Level Voltage                       | $V_{CEL}$  | -   | -                                  | -         | 0.3   | V        | ④        |   |
| CE High Level Current                      | $I_{CEH}$  | $V_{CE}=V_{IN}=5.5V$  | 3.0                                | 5.5       | 9.0   | $\mu A$  | ④        |   |
| CE High Level Current                      | $I_{CEL}$  | $V_{CE}=V_{SS}$   | -0.1                               | -         | 0.1   | $\mu A$  | ④        |   |
| CL Discharge Resistance                    | $R_{DCHG}$   | $V_{IN}=5.5V, V_{OUT}=2.0V, V_{CE}=V_{SS}$  | -                                  | 300       | -     | $\Omega$ | ①        |   |

NOTE:

(\*)1)  $V_{OUT(E)}$ : Effective output voltage

(i.e. the output voltage when " $V_{OUT(T)}+1.0V$ " is provided at the  $V_{IN}$  pin while maintaining a certain  $I_{OUT}$  value.)

(\*)2)  $V_{OUT(T)}$ : Nominal output voltage

(\*)3) The standard output voltage is specified in  $V_{OUT(T)} \pm 20mV$  where  $V_{OUT(T)} < 2.0V$ .

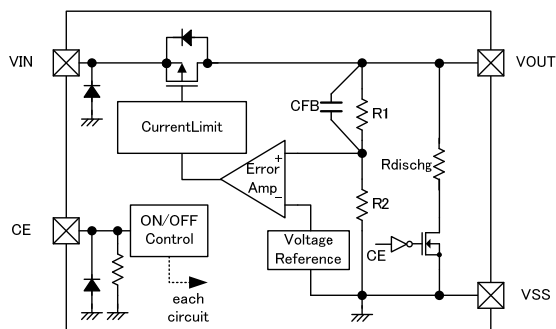
(\*)4)  $V_{dif} = \{V_{IN1}^{(*)5} - V_{OUT1}^{(*)6}\}$  ( $V_{IN1} \geq 1.6V$ )

(\*)5)  $V_{IN1}$ : The input voltage when  $V_{OUT1}$  appears as input voltage is gradually decreased.

(\*)6)  $V_{OUT1}$ : A voltage equal to 98% of the output voltage whenever an amply stabilized  $I_{OUT}$  ( $V_{OUT(T)}+1.0V$ ) is input.

(\*)7) Unless otherwise stated regarding input voltage conditions,  $V_{IN} = V_{OUT(T)} + 1.0V$ .

## OPERATIONAL EXPLANATION



XC6228Dseries

The voltage divided by resistors R1 & R2 is compared with the internal reference voltage by the error amplifier. The P-channel MOSFET which is connected to the VOUT pin is then driven by the subsequent output signal. The output voltage at the VOUT pin is controlled and stabilized by a system of negative feedback. The current limit circuit and short circuit protection operate in relation to the level of output current and heat dissipation. Further, the IC's internal circuitry can be shutdown via the CE pin signal.

### <Low ESR Capacitor>

The XC6228 series needs an output capacitor  $C_L$  for phase compensation. Please place an output capacitor of  $1.0 \mu\text{F}$  or bigger at the VOUT pin and VSS pin as close as possible. For a stable power input, please connect an input capacitor ( $C_{IN}$ ) of  $1.0 \mu\text{F}$  between the VIN pin and the VSS pin.

### <Current Limiter, Short-Circuit Protection>

The protection circuit operates as a combination of an output current limiter and fold-back short circuit protection. When load current reaches the current limit level, the output voltage drops. As a result, the load current starts to reduce with showing fold-back curve. The output current finally falls at the level of 50mA when the output pin is short-circuited.

### <CE Pin>

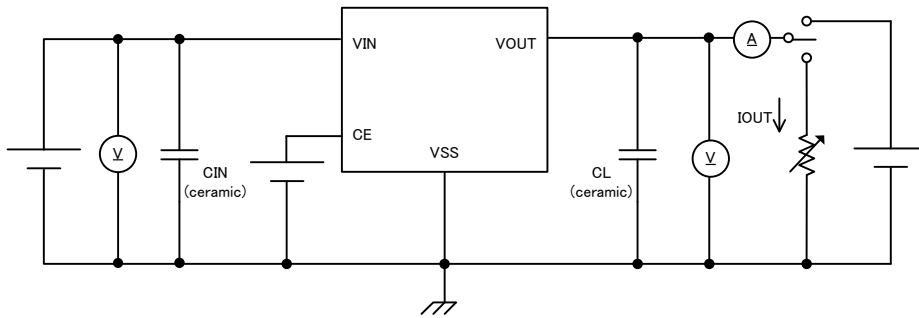
The IC's internal circuitry can be shutdown via the signal from the CE pin. In shutdown mode, the XC6228 series enables the electric charge at the output capacitor ( $C_L$ ) to be discharged via the internal switch located between the VOUT and VSS pins, and as a result the VOUT pin quickly returns to the  $V_{SS}$  level. The XC6228D series has a pull-down resistor at the CE pin inside, so that the CE pin input current flows.

## NOTES ON USE

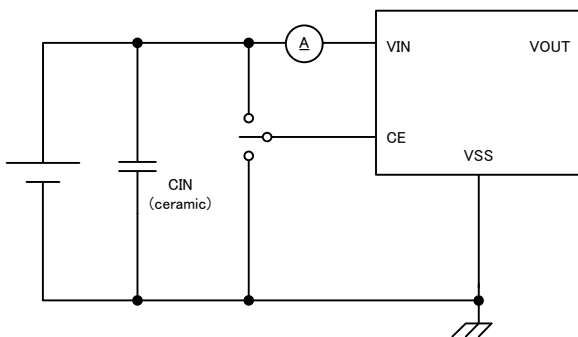
1. Where wiring impedance is high, operations may become unstable due to the noise and/or phase lag depending on output current. Please strengthen  $V_{IN}$  and  $V_{SS}$  wiring in particular.
2. The input capacitor  $C_{IN}$  and the output capacitor  $C_L$  should be placed to the as close as possible with a shorter wiring.
3. The IC is controlled with constant current start-up. Start-up sequence control is requested to draw a load current after rising up the output voltage.
4. For temporary, transitional voltage drop or voltage rising phenomenon, the IC is liable to malfunction should the ratings be exceeded.
5. Torex places an importance on improving our products and its reliability.  
However, by any possibility, we would request user fail-safe design and post-aging treatment on system or equipment.

## TEST CIRCUITS

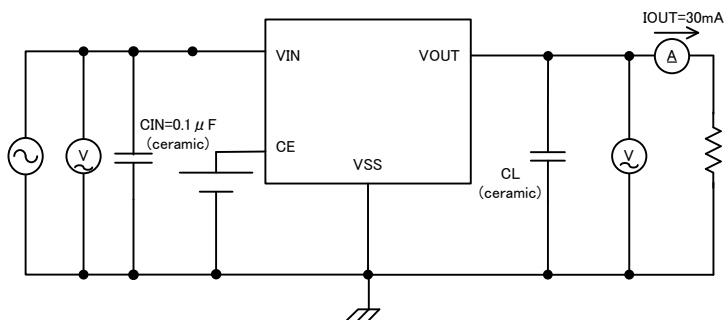
Circuit



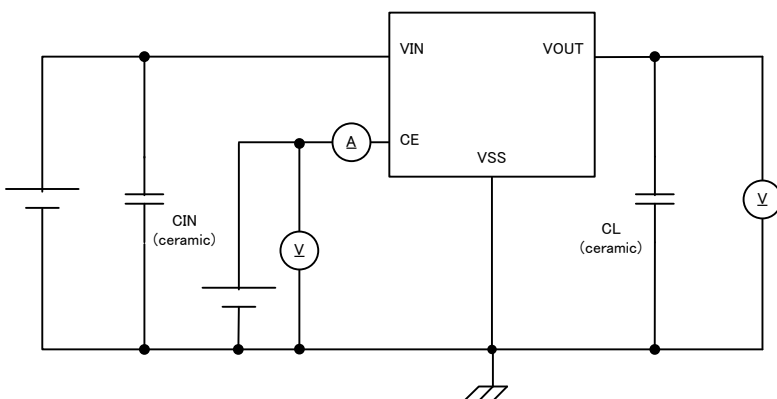
Circuit



Circuit

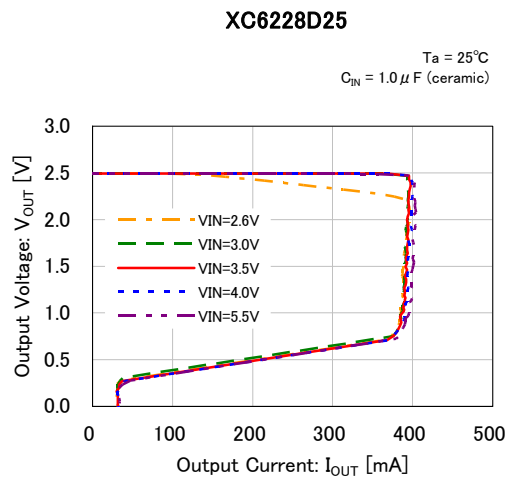
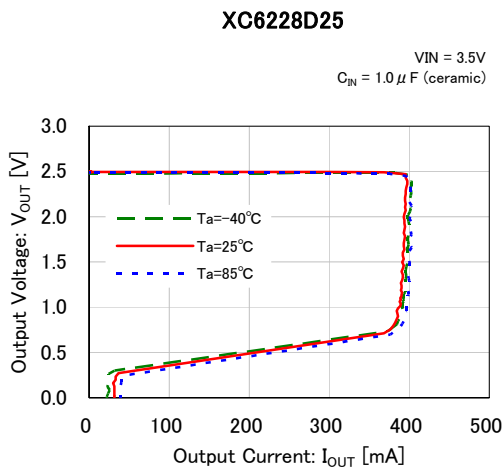
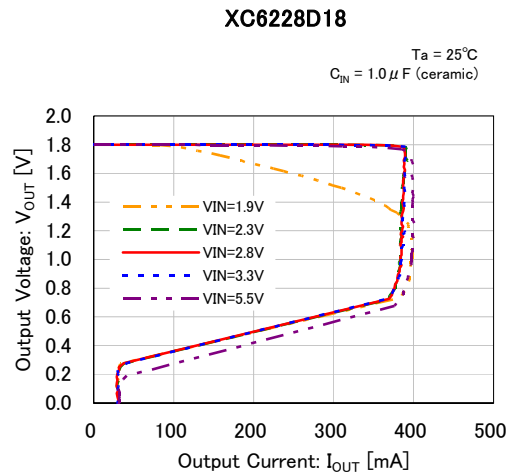
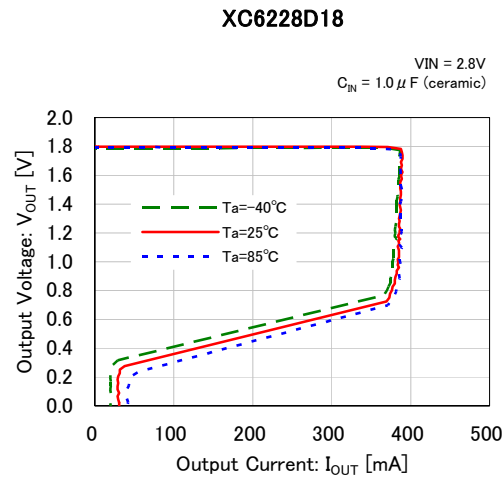
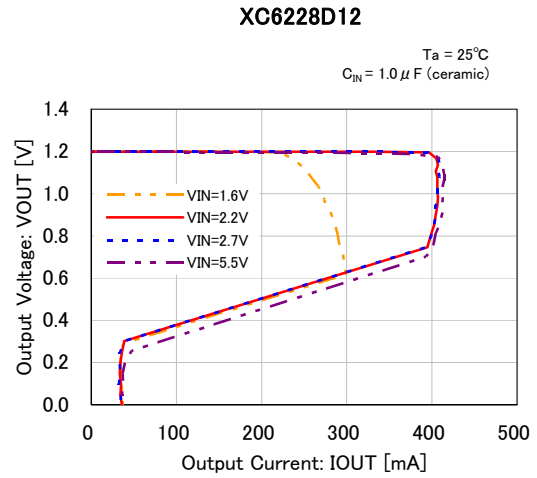
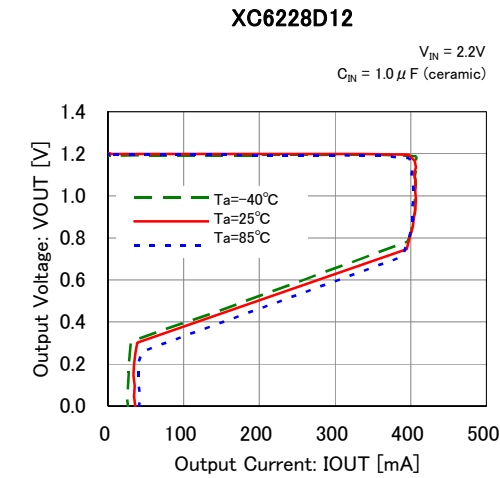


Circuit



## TYPICAL PERFORMANCE CHARACTERISTICS

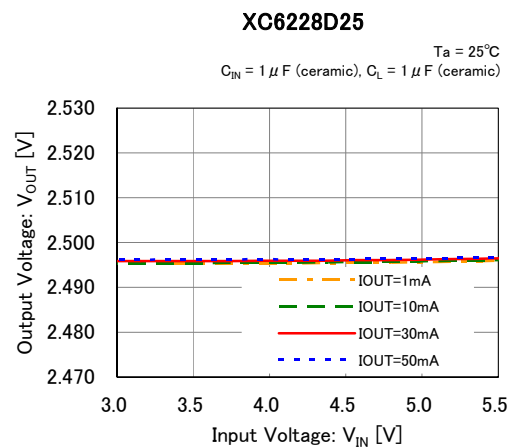
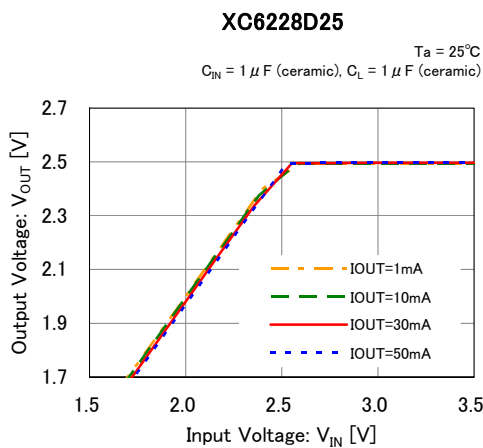
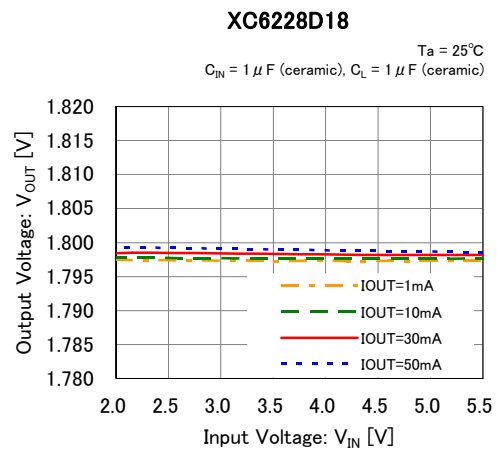
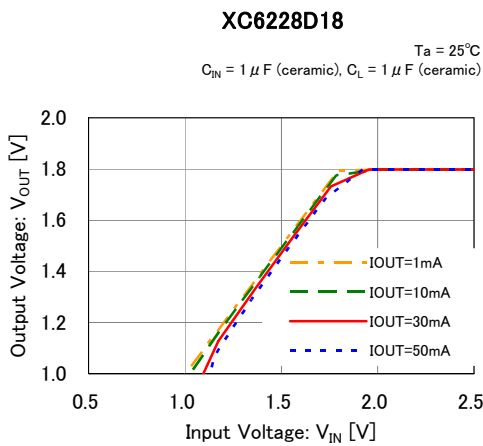
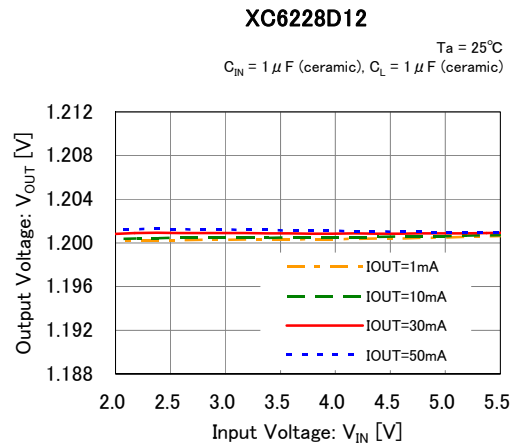
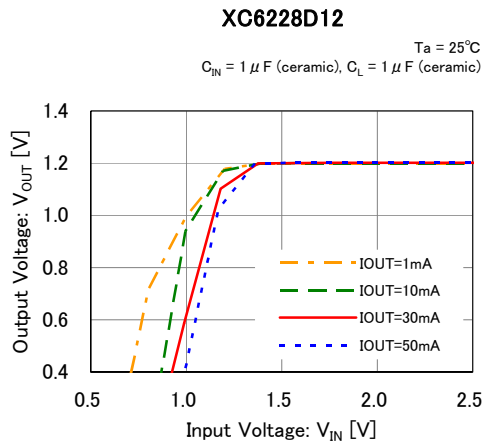
(1) Output Voltage vs. Output Current





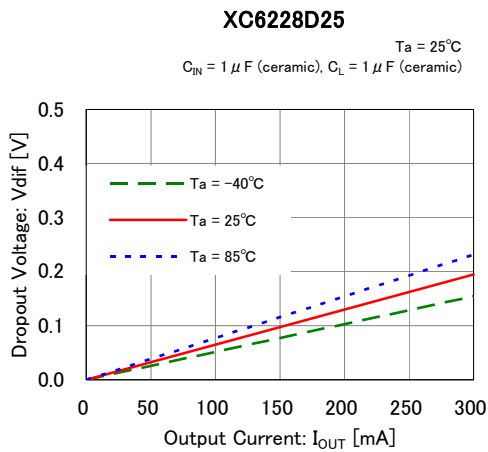
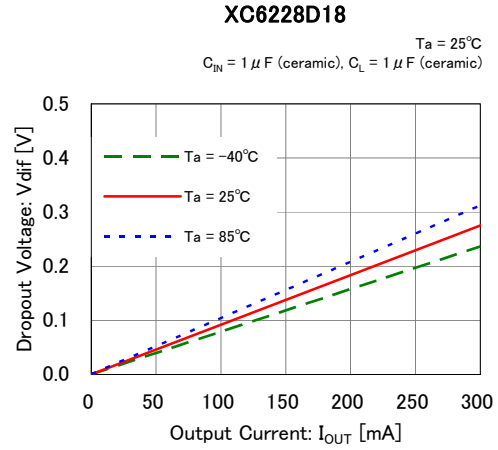
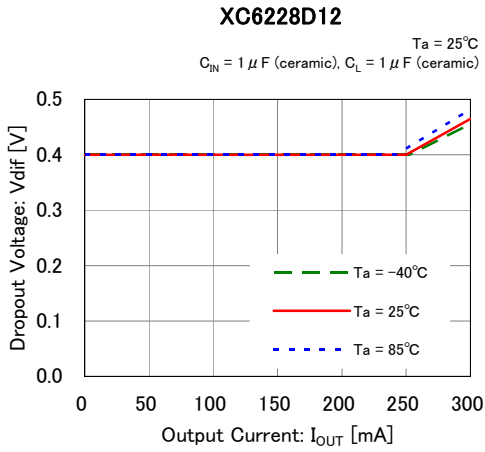
## TYPICAL PERFORMANCE CHARACTERISTICS (Continued)

### (2) Output Voltage vs. Input Voltage

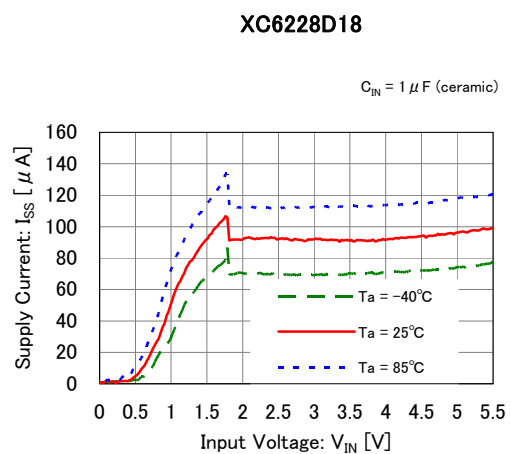
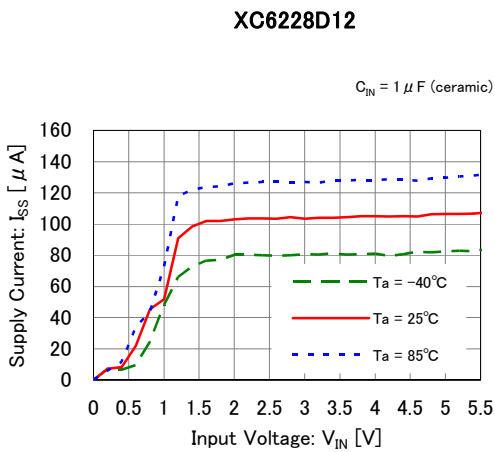


## TYPICAL PERFORMANCE CHARACTERISTICS (Continued)

### (3) Dropout Voltage vs. Output Current

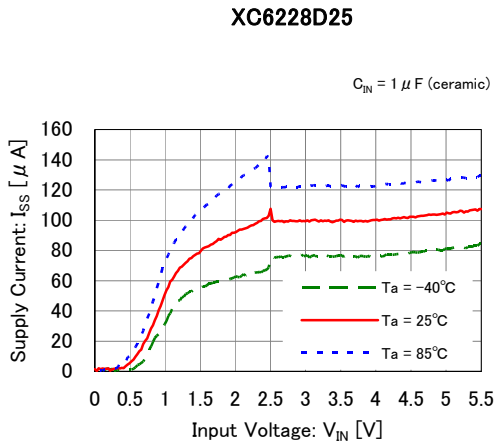


### (4) Supply Current vs. Input Voltage

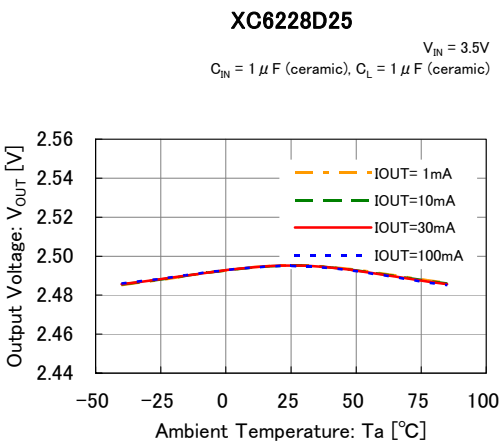
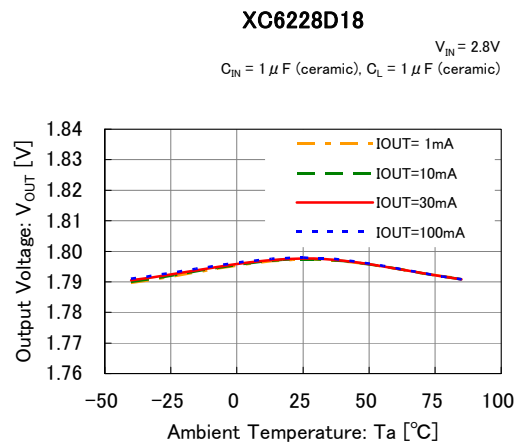
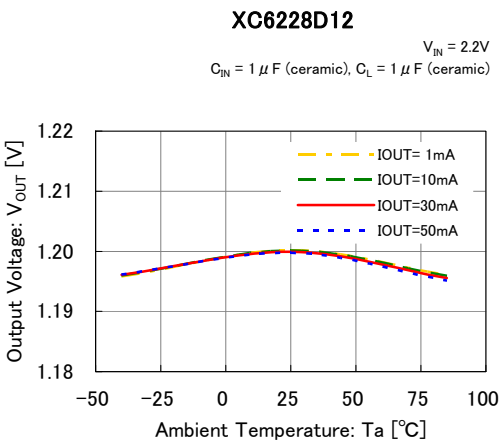


## TYPICAL PERFORMANCE CHARACTERISTICS (Continued)

### (4) Supply Current vs. Input Voltage (Continued)

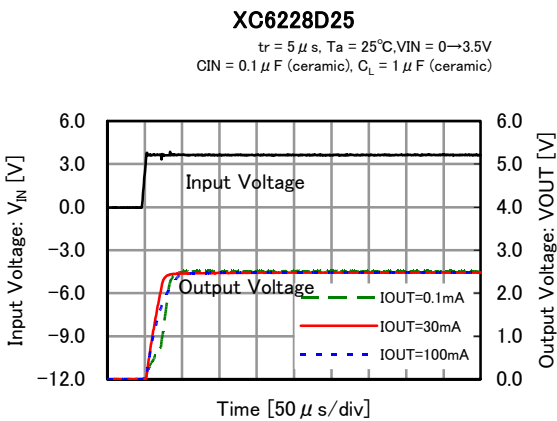
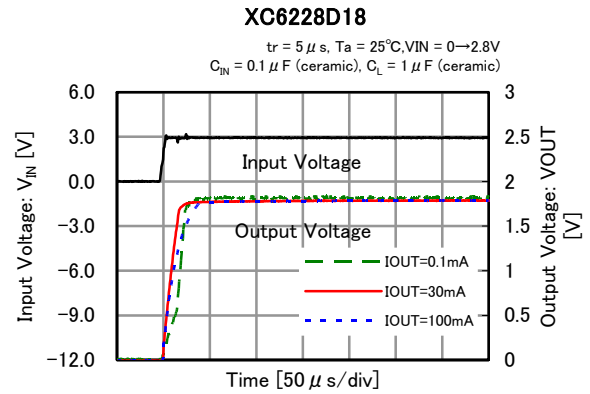
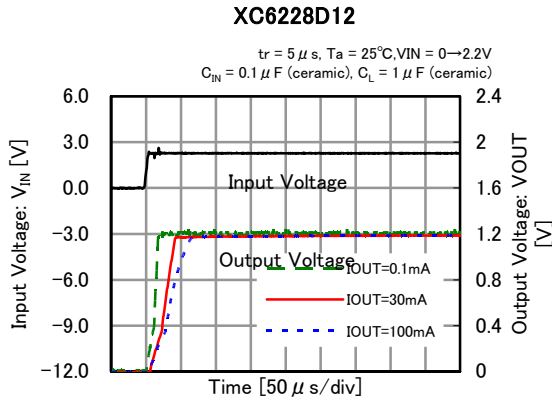


### (5) Output Voltage vs. Ambient Temperature

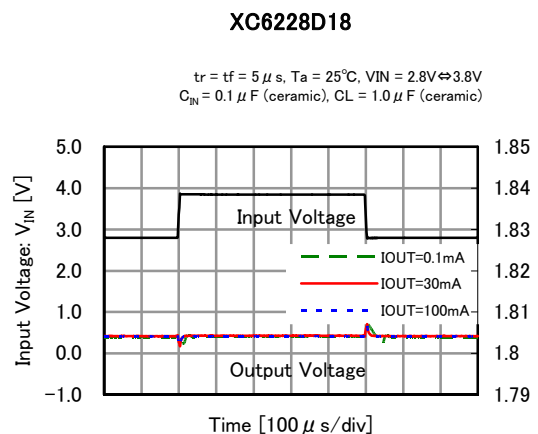
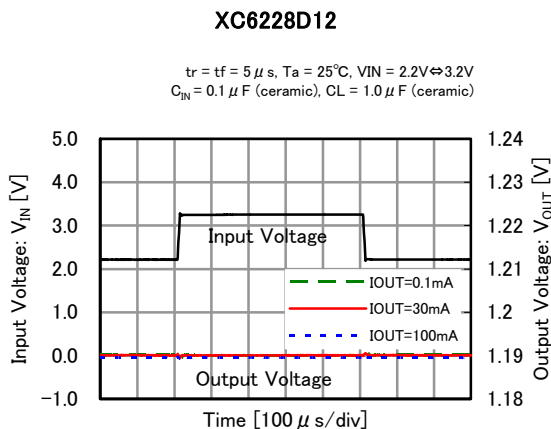


## TYPICAL PERFORMANCE CHARACTERISTICS (Continued)

### (6) Rising Response Time



### (7) Input Transient Response

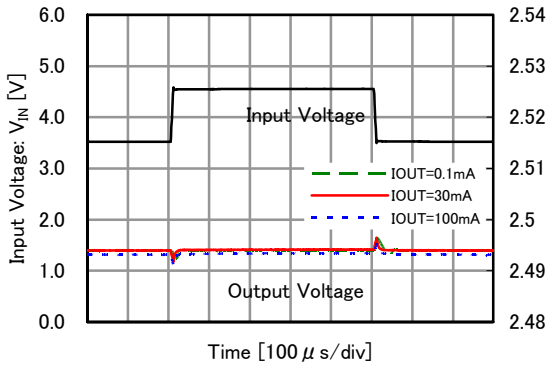


## TYPICAL PERFORMANCE CHARACTERISTICS (Continued)

### (7) Input Transient Response (Continued)

#### XC6228D25

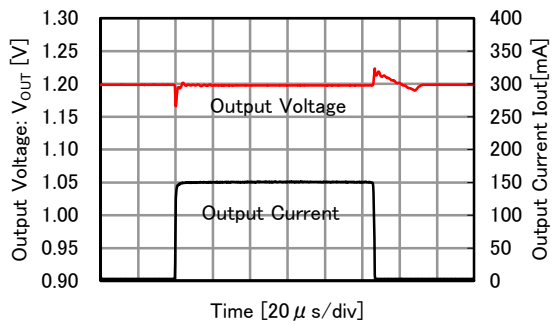
$t_r = t_f = 5 \mu s$ ,  $T_a = 25^\circ C$ ,  $V_{IN} = 3.5V \Leftrightarrow 4.5V$   
 $C_{IN} = 0.1 \mu F$  (ceramic),  $C_L = 1.0 \mu F$  (ceramic)



### (8) Load Transient Response ( $t_r=t_f=0.5 \mu s$ )

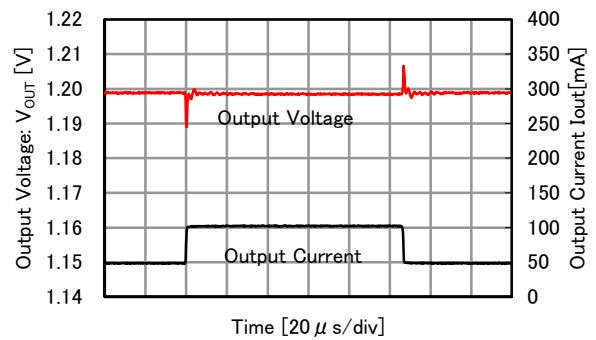
#### XC6228D12

$t_r = t_f = 0.5 \mu s$ ,  $T_a = 25^\circ C$ ,  $I_{OUT} = 1 \Leftrightarrow 150mA$   
 $V_{IN} = 2.2V$ ,  $C_{IN} = 1 \mu F$  (ceramic),  $C_L = 1 \mu F$  (ceramic)



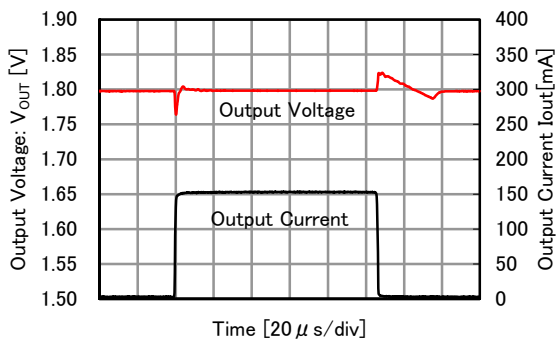
#### XC6228D12

$t_r = t_f = 0.5 \mu s$ ,  $T_a = 25^\circ C$ ,  $I_{OUT} = 50 \Leftrightarrow 100mA$   
 $V_{IN} = 2.2V$ ,  $C_{IN} = 1 \mu F$  (ceramic),  $C_L = 1 \mu F$  (ceramic)



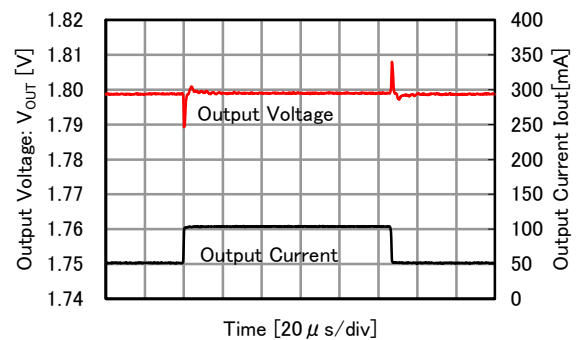
#### XC6228D18

$t_r = t_f = 0.5 \mu s$ ,  $T_a = 25^\circ C$ ,  $I_{OUT} = 1 \Leftrightarrow 150mA$   
 $V_{IN} = 2.8V$ ,  $C_{IN} = 1 \mu F$  (ceramic),  $C_L = 1 \mu F$  (ceramic)



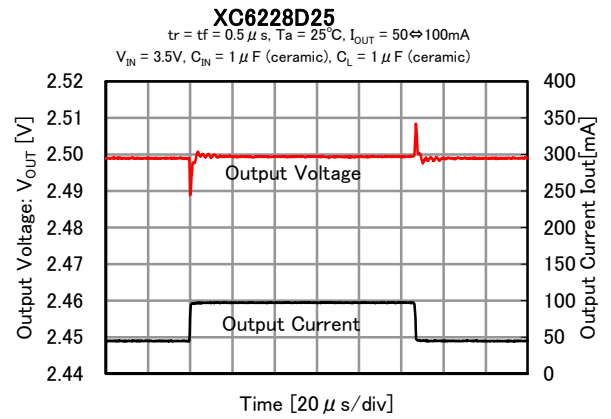
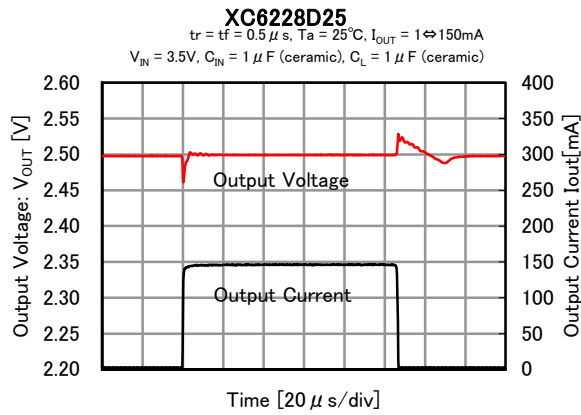
#### XC6228D18

$t_r = t_f = 0.5 \mu s$ ,  $T_a = 25^\circ C$ ,  $I_{OUT} = 50 \Leftrightarrow 100mA$   
 $V_{IN} = 2.8V$ ,  $C_{IN} = 1 \mu F$  (ceramic),  $C_L = 1 \mu F$  (ceramic)

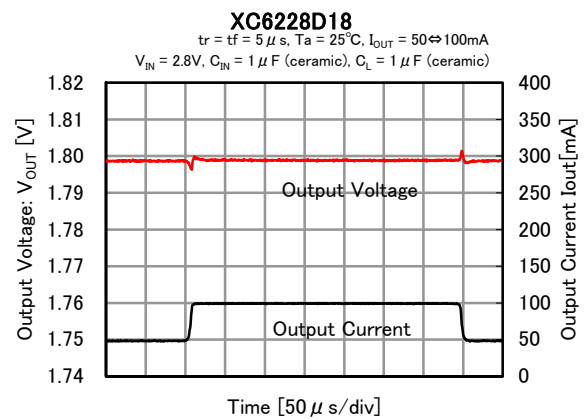
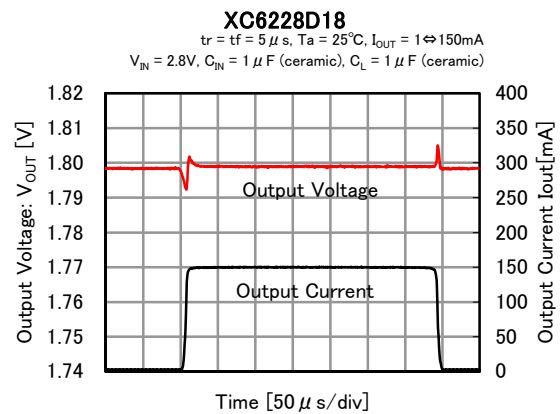
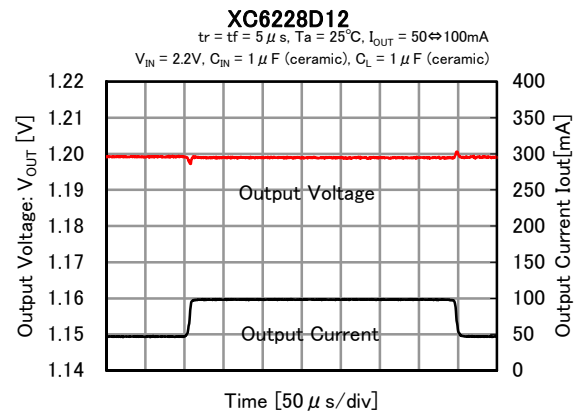
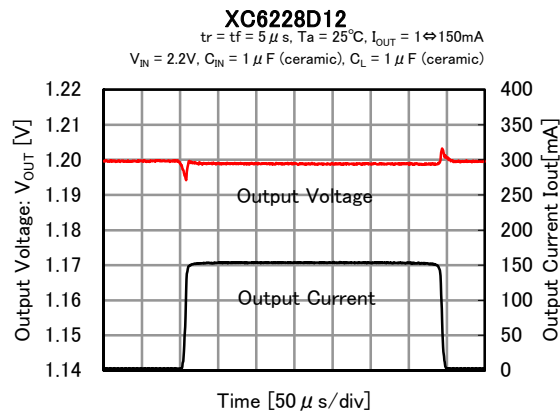


## TYPICAL PERFORMANCE CHARACTERISTICS (Continued)

### (8) Load Transient Response ( $t_r=t_f=0.5\mu s$ ) (Continued)

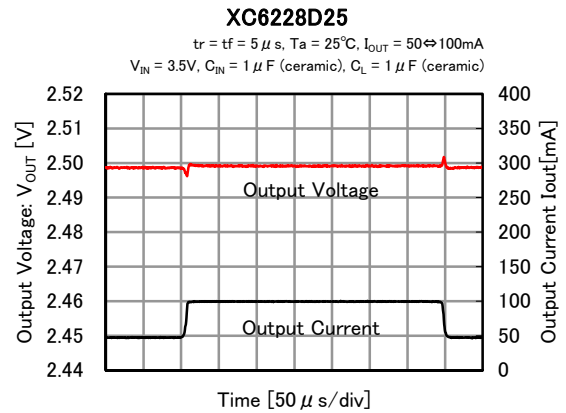
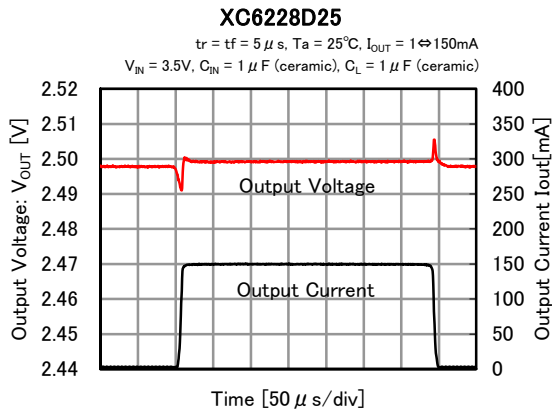


### (9) Load Transient Response ( $t_r=t_f=5\mu s$ )

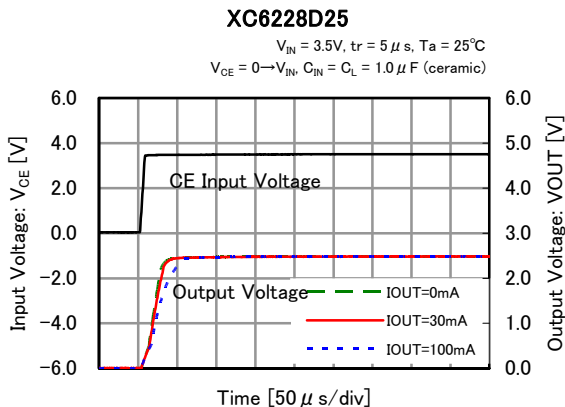
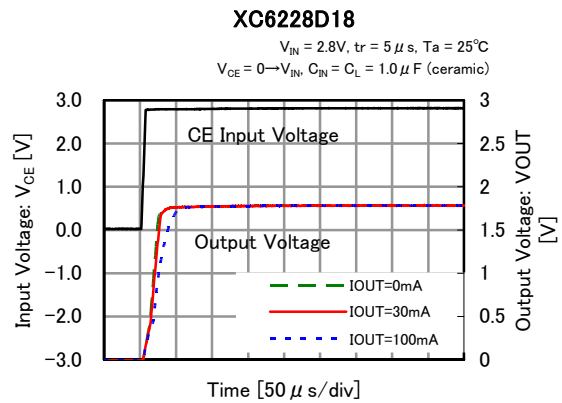
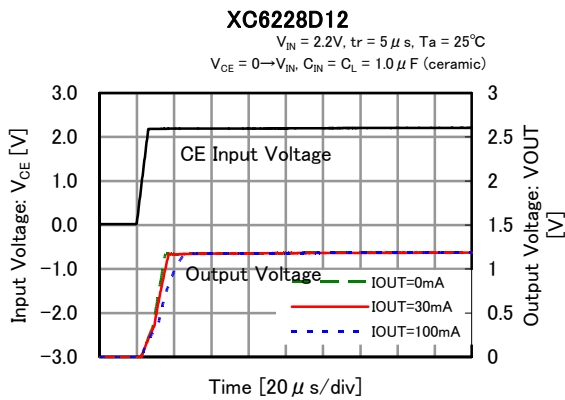


## TYPICAL PERFORMANCE CHARACTERISTICS (Continued)

(9) Load Transient Response ( $t_r=t_f=5\mu s$ ) (Continued)



(10) CE Rising Response Time

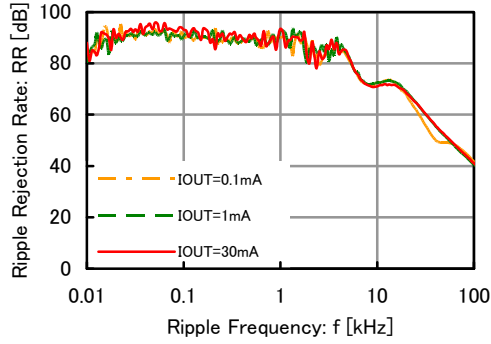


## TYPICAL PERFORMANCE CHARACTERISTICS (Continued)

### (11) Ripple Rejection Rate

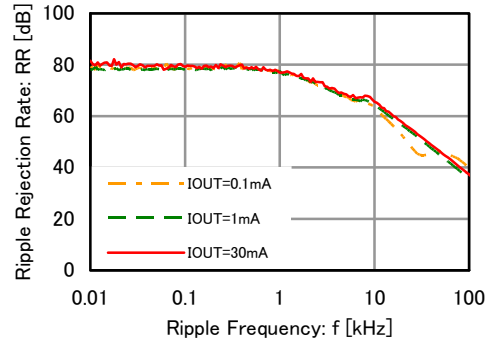
#### XC6228D12

$T_a = 25^\circ\text{C}$ ,  $V_{IN} = 3.0\text{VDC} + 0.5\text{Vp-pAC}$   
 $C_{IN} = 0.1 \mu\text{F}$  (ceramic),  $C_L = 1 \mu\text{F}$  (ceramic)



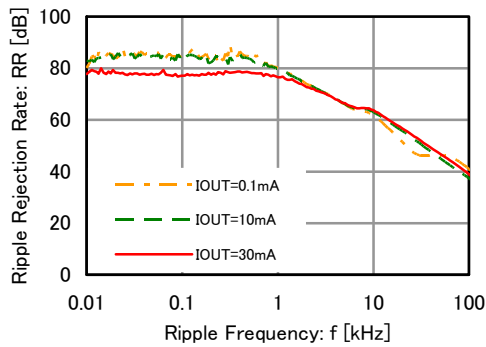
#### XC6228D18

$T_a = 25^\circ\text{C}$ ,  $V_{IN} = 3.0\text{VDC} + 0.5\text{Vp-pAC}$   
 $C_{IN} = 0.1 \mu\text{F}$  (ceramic),  $C_L = 1 \mu\text{F}$  (ceramic)



#### XC6228D25

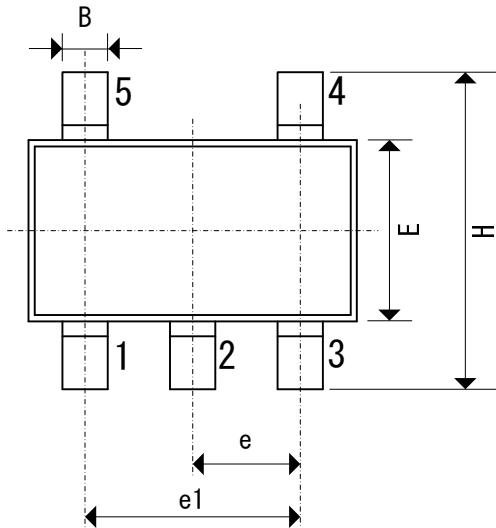
$T_a = 25^\circ\text{C}$ ,  $V_{IN} = 3.5\text{VDC} + 0.5\text{Vp-pAC}$   
 $C_{IN} = 0.1 \mu\text{F}$  (ceramic),  $C_L = 1 \mu\text{F}$  (ceramic)



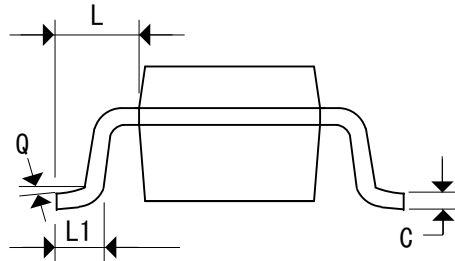
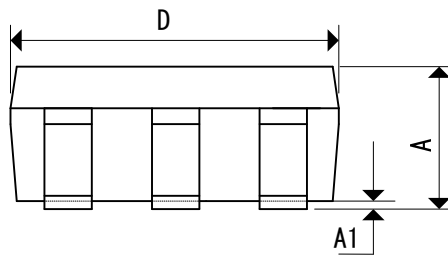


## PACKAGING INFORMATION

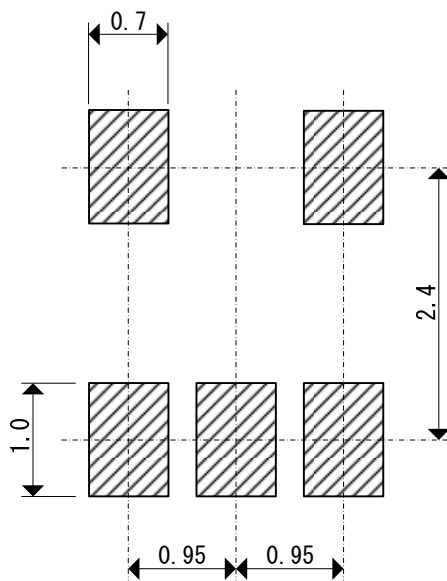
●SOT-25J (Preliminary)



| Dimension | Min.      | Max. |
|-----------|-----------|------|
| A         | 0.9       | 1.45 |
| A1        | 0.01      | 0.15 |
| B         | 0.3       | 0.5  |
| C         | 0.09      | 0.22 |
| D         | 2.8       | 3.0  |
| H         | 2.5       | 3.1  |
| E         | 1.5       | 1.7  |
| e         | 0.95 REF. |      |
| e1        | 1.9 REF.  |      |
| L1        | 0.2       | 0.6  |
| L         | 0.35      | 0.8  |
| Q         | 0°        | 10°  |



●SOT-25J Reference Pattern Layout (Preliminary)



1. The products and product specifications contained herein are subject to change without notice to improve performance characteristics. Consult us, or our representatives before use, to confirm that the information in this datasheet is up to date.
2. We assume no responsibility for any infringement of patents, patent rights, or other rights arising from the use of any information and circuitry in this datasheet.
3. Please ensure suitable shipping controls (including fail-safe designs and aging protection) are in force for equipment employing products listed in this datasheet.
4. The products in this datasheet are not developed, designed, or approved for use with such equipment whose failure or malfunction can be reasonably expected to directly endanger the life of, or cause significant injury to, the user.  
(e.g. Atomic energy; aerospace; transport; combustion and associated safety equipment thereof.)
5. Please use the products listed in this datasheet within the specified ranges.  
Should you wish to use the products under conditions exceeding the specifications, please consult us or our representatives.
6. We assume no responsibility for damage or loss due to abnormal use.
7. All rights reserved. No part of this datasheet may be copied or reproduced without the prior permission of TOREX SEMICONDUCTOR LTD.

**TOREX SEMICONDUCTOR LTD.**