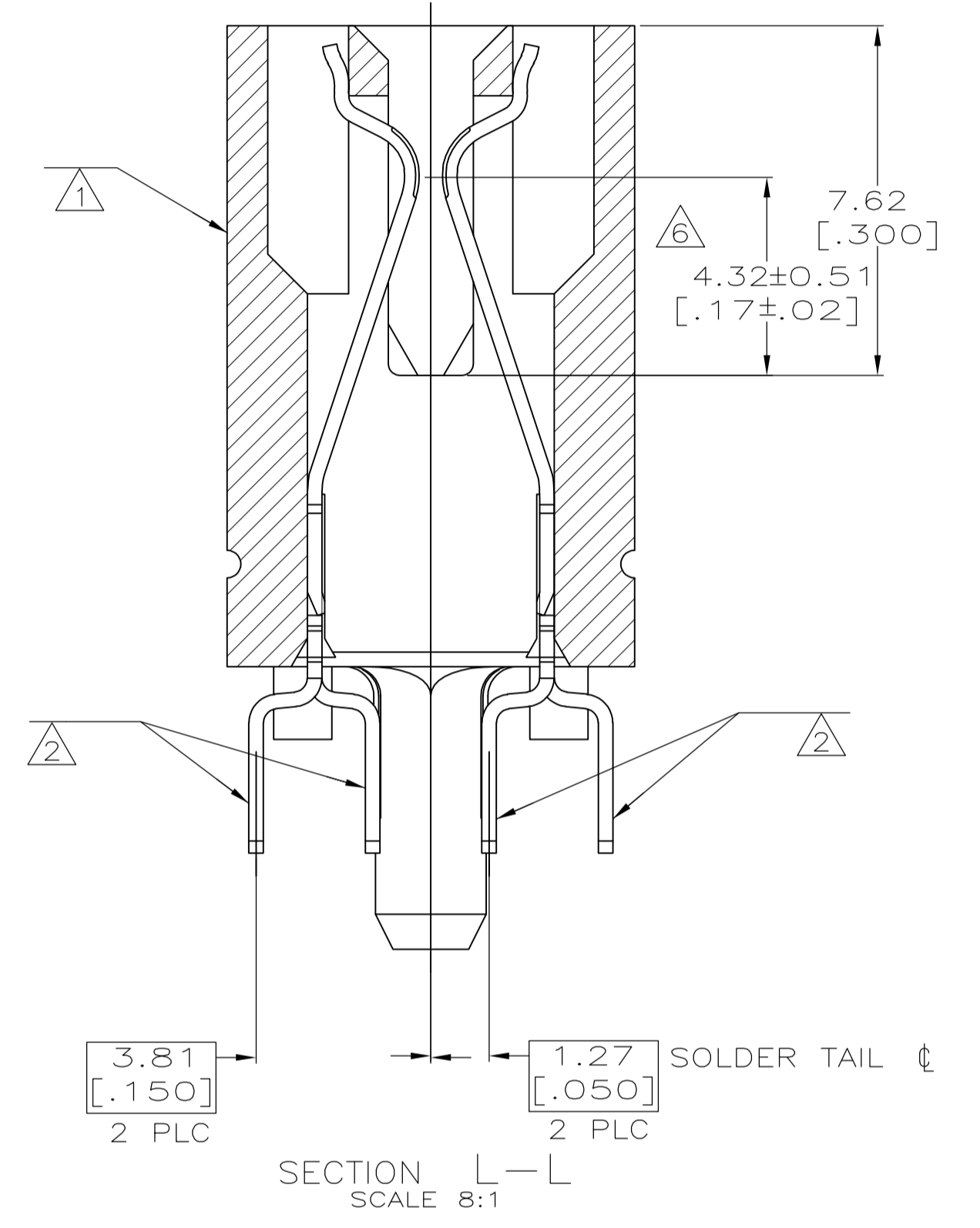
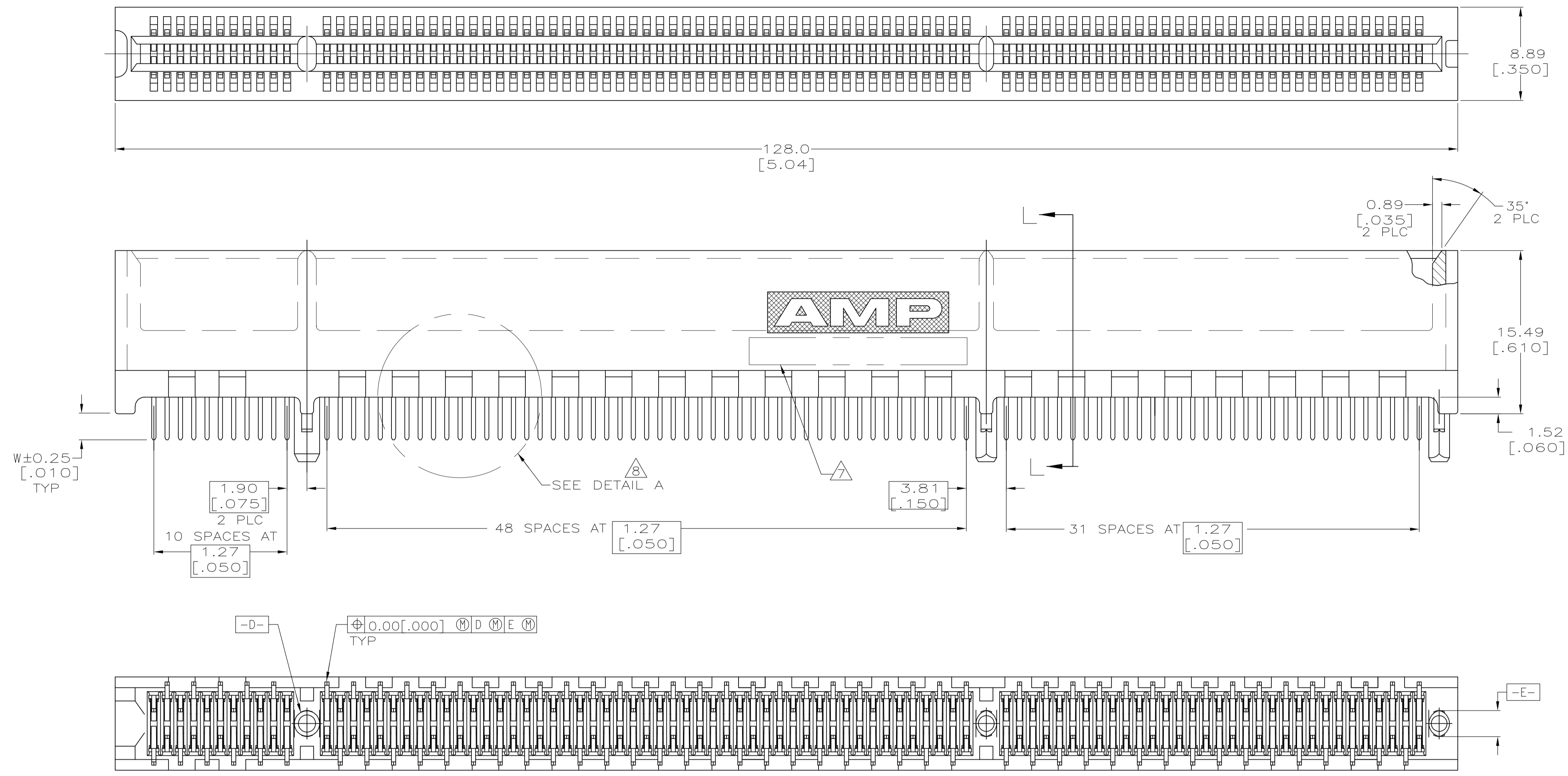
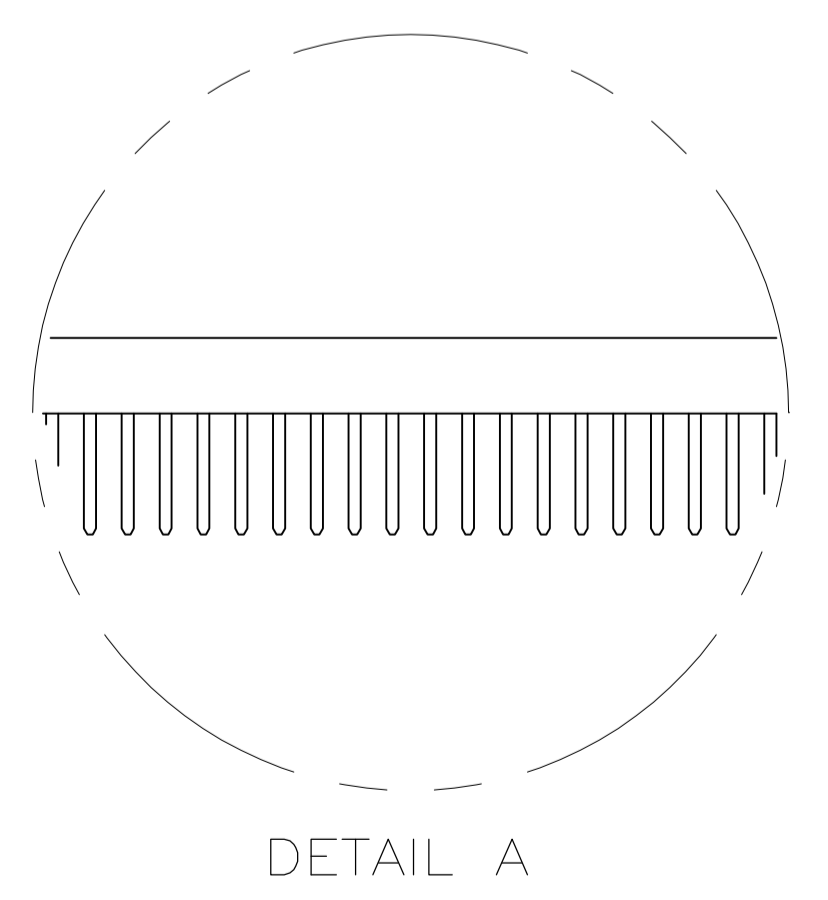


SEE SHEET 2 FOR NOTES



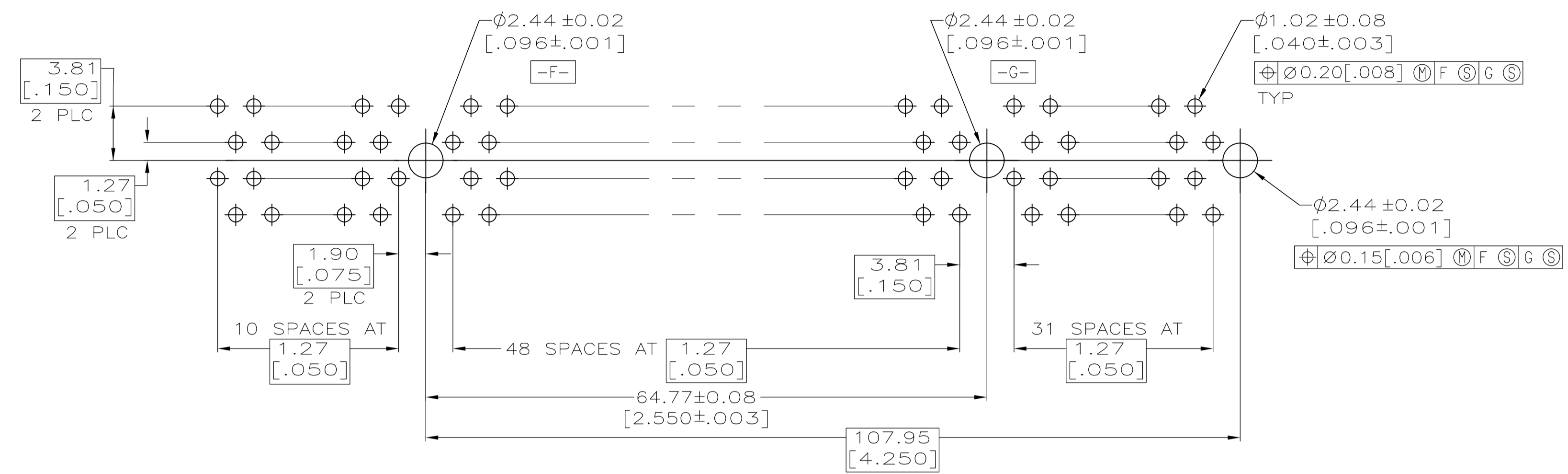
SEE SHEET 2 FOR HOLE PATTERN



3.56 [.140]	△	1-145165-2
3.17 [.125]	△	145165-8
2.54 [.100]	△	145165-4
2.54 [.100]	△	145165-3
2.54 [.100]	△	145165-2
2.54 [.100]	△	145165-1
W	FINISH	PART NUMBER

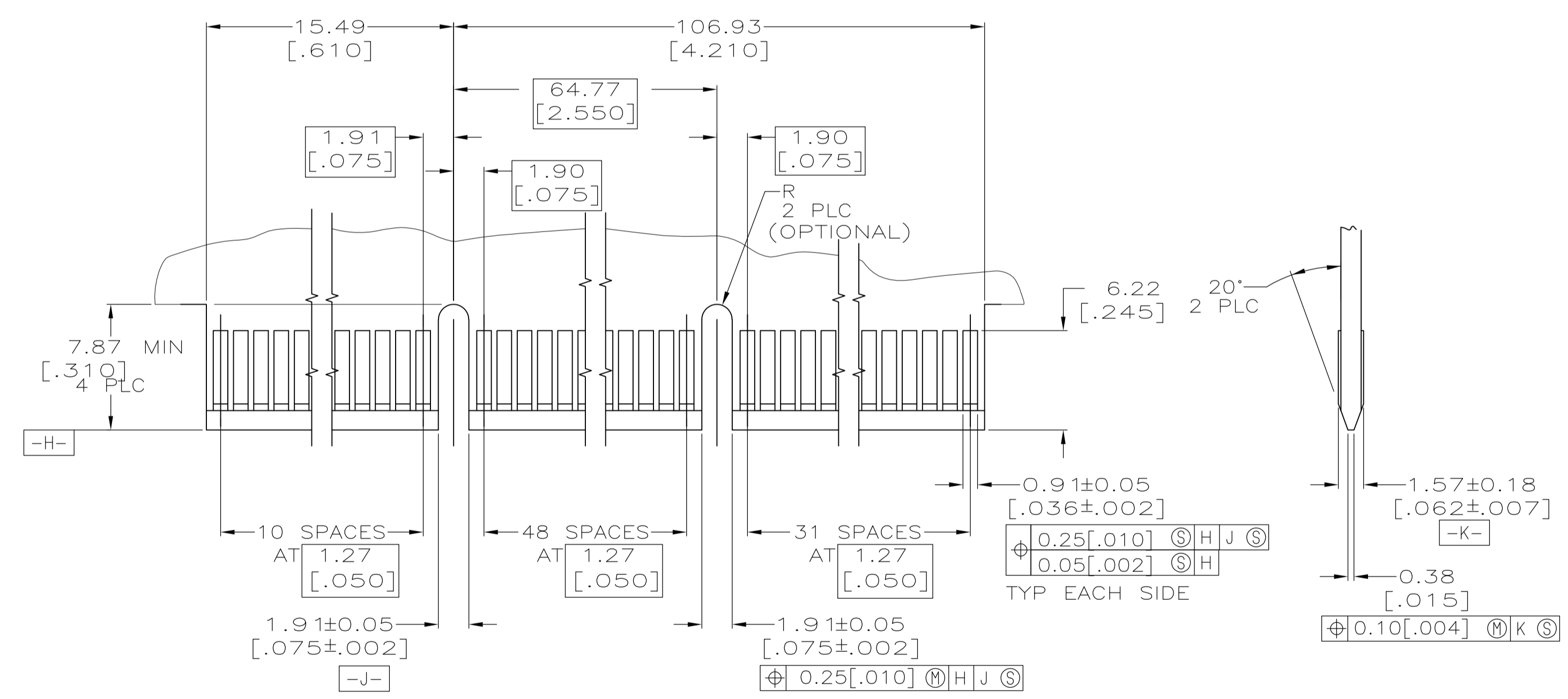
OBSOLETE, SUPERSEDED BY -4
 △ SUPERSEDED BY 5145165-2
 OBSOLETE

THIS DRAWING IS A CONTROLLED DOCUMENT.		DIN R BROWN 6/12/95	TE Connectivity	
DIMENSIONS: mm [INCHES]		CHK M BOWERS 6/12/95	NAME	
TOLERANCES UNLESS OTHERWISE SPECIFIED:		APVD	PRODUCT SPEC	
0 PLC ± -	1 PLC ± -	APVD	108-14034	
2 PLC ± 0.25[.01]	3 PLC ± 0.13[.005]	APVD	APPLICATION SPEC	
4 PLC ± -	ANGLES ± ±	APVD	114-26012	
MATERIAL	FINISH	APVD	SIZE	CAGE CODE
△/△	△/△/△/△	APVD	A1	00779
CUSTOMER DRAWING		APVD	DRAWING NO	RESTRICTED TO
		APVD	145165	-
		APVD	SCALE 4:1	SHEET 1 OF 2
		APVD	REV	H2



RECOMMENDED CONNECTOR MOUNTING HOLE PATTERN
(CONNECTOR SIDE SHOWN)

- 1 HOUSING: HIGH TEMPERATURE THERMOPLASTIC. COLOR - NATURAL
- 2 CONTACT: PHOSPHOR BRONZE.
- 3 CONTACT FINISH: 0.00127[.000050] MIN NICKEL ALL OVER. GOLD FLASH OVER NICKEL IN CONTACT AREA. 0.00254[.000100] MIN TIN-LEAD OVER NICKEL ON SOLDER TAILS.
- 4 CONTACT FINISH: 0.00127[.000050] MIN NICKEL ALL OVER. 0.00038[.000015] GOLD OVER NICKEL IN CONTACT AREA. 0.00254[.000100] MIN TIN-LEAD OVER NICKEL ON SOLDER TAILS.
- 5 CONTACT FINISH: 0.00127[.000050] MIN NICKEL ALL OVER. 0.00076[.000030] GOLD OVER NICKEL IN CONTACT AREA. 0.00254[.000100] MIN TIN-LEAD OVER NICKEL ON SOLDER TAILS.
- 6 DISTANCE FROM CONTACT POINT TO BOTTOM OF CARD SLOT.
- 7 AMP PART NUMBER, DATE CODE AND CSA LOGO MARKED IN APPROXIMATE LOCATION SHOWN.
- 8 CORED OR SOLID SIDE WALLS ARE AT DISCRETION OF AMP INCORPORATED.
- 9 OBSOLETE PARTS: OBSOLETE CIS STREAMLINING PER D.RENAUD/D.SINISI



RECOMMENDED MATING BOARD EDGE CONFIGURATION

THIS DRAWING IS A CONTROLLED DOCUMENT.		DN R BROWN	6/12/95													
		CHK M BOWERS	6/12/95													
DIMENSIONS: mm [INCHES]	TOLERANCES UNLESS OTHERWISE SPECIFIED:	<table border="1"> <tr> <td>0 PLC</td> <td>± -</td> </tr> <tr> <td>1 PLC</td> <td>± -</td> </tr> <tr> <td>2 PLC</td> <td>± 0.25[.01]</td> </tr> <tr> <td>3 PLC</td> <td>± 0.13[.005]</td> </tr> <tr> <td>4 PLC</td> <td>± - ±</td> </tr> <tr> <td>ANGLES</td> <td>± - ±</td> </tr> </table>		0 PLC	± -	1 PLC	± -	2 PLC	± 0.25[.01]	3 PLC	± 0.13[.005]	4 PLC	± - ±	ANGLES	± - ±	NAME CONNECTOR ASSEMBLY, 92 DUAL POSITION, .050 SERIES.
0 PLC	± -															
1 PLC	± -															
2 PLC	± 0.25[.01]															
3 PLC	± 0.13[.005]															
4 PLC	± - ±															
ANGLES	± - ±															
		PRODUCT SPEC 108-14034	SIZE A1	RESTRICTED TO CUSTOMER DRAWING												
		APPLICATION SPEC 114-26012	DRAWING NO 00779		SCALE 4:1											
MATERIAL SEE SHEET 1	FINISH SEE SHEET 1	WEIGHT -	REV 2	SHEET 2												