

GOXCONN ELECTRONICS (SHEN ZHEN) CO., LTD

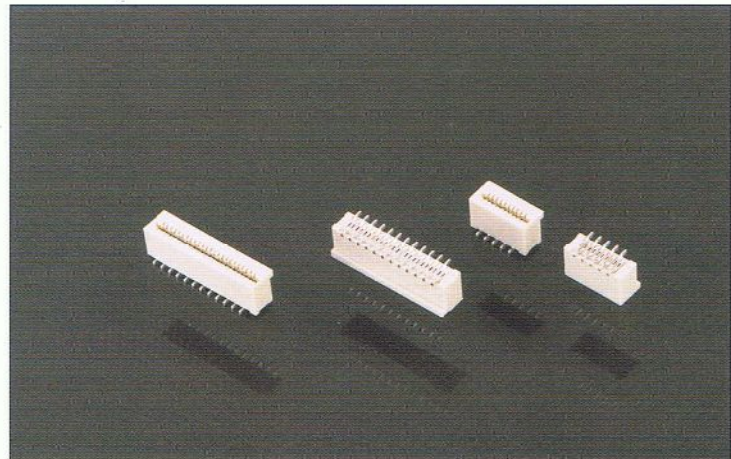
FPC0.5连接器

FPC CONNECTOR (0.5mm)

技术参数

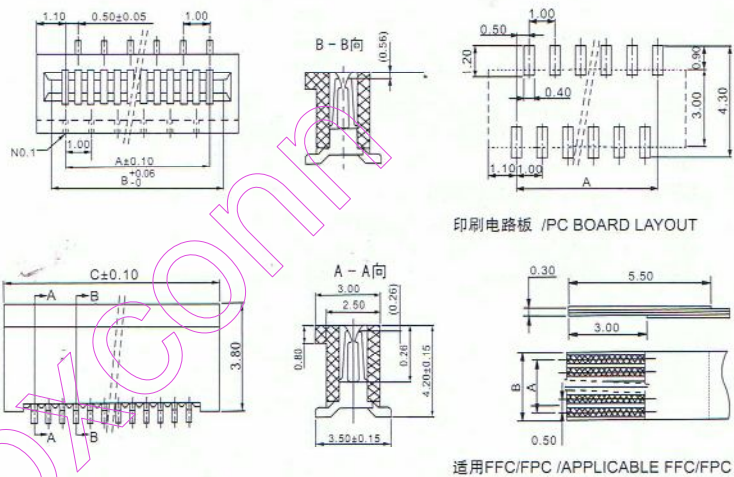
TECHNICAL PARAMETER

间距: 0.5mm
Pitch: 0.5mm
额定电流: 0.5A AC、DC
Current rating: 0.5A AC、DC
额定电压: 50V AC、DC
Voltage rating: 50V AC、DC
温度范围: -40℃~+85℃
Temperature range: -40℃~+85℃
耐压: 500V/min
Withstand voltage: 500V/min
接触电阻: $\leq 0.03 \Omega$
Contact resistance: $\leq 0.03 \Omega$
绝缘电阻: $\geq 500M \Omega$
Insulation resistance: $\geq 500M \Omega$



材料MATERIAL

外壳: 尼龙46/6T UL94V-0
Housing: PA46、PA6T UL94V-0
接触件: 磷青铜, 表面镀铜锡
Contact: Phosphor bronze, Copper & Tin plating



极数 POIES	编号 Part Number	尺寸Dimensions(mm)			极数 POIES	编号 Part Number	尺寸Dimensions(mm)		
		A	B	C			A	B	C
4	FPC0.5-SMT21-4L2-0A	1.50	2.50	3.70	28	FPC0.5-SMT21-28L2-0A	13.50	14.50	15.70
5	FPC0.5-SMT21-5L2-0A	2.00	3.00	4.20	29	FPC0.5-SMT21-29L2-0A	14.00	15.00	16.20
6	FPC0.5-SMT21-6L2-0A	2.50	3.50	4.70	30	FPC0.5-SMT21-30L2-0A	14.50	15.50	16.70
7	FPC0.5-SMT21-7L2-0A	3.00	4.00	5.20	31	FPC0.5-SMT21-31L2-0A	15.00	16.00	17.20
8	FPC0.5-SMT21-8L2-0A	3.50	4.50	5.70	32	FPC0.5-SMT21-32L2-0A	15.50	16.50	17.70
9	FPC0.5-SMT21-9L2-0A	4.00	5.00	6.20	33	FPC0.5-SMT21-33L2-0A	16.00	17.00	18.20
10	FPC0.5-SMT21-10L2-0A	4.50	5.50	6.70	34	FPC0.5-SMT21-34L2-0A	16.50	17.50	18.70
11	FPC0.5-SMT21-11L2-0A	5.00	6.00	7.20	35	FPC0.5-SMT21-35L2-0A	17.00	18.00	19.20
12	FPC0.5-SMT21-12L2-0A	5.50	6.50	7.70	36	FPC0.5-SMT21-36L2-0A	17.50	18.50	19.70
13	FPC0.5-SMT21-13L2-0A	6.00	7.00	8.20	37	FPC0.5-SMT21-37L2-0A	18.00	19.00	20.20
14	FPC0.5-SMT21-14L2-0A	6.50	7.50	8.70	38	FPC0.5-SMT21-38L2-0A	18.50	19.50	20.70
15	FPC0.5-SMT21-15L2-0A	7.00	8.00	9.20	39	FPC0.5-SMT21-39L2-0A	19.00	20.00	21.20
16	FPC0.5-SMT21-16L2-0A	7.50	8.50	9.70	40	FPC0.5-SMT21-40L2-0A	19.50	20.50	21.70
17	FPC0.5-SMT21-17L2-0A	8.00	9.00	10.20	41	FPC0.5-SMT21-41L2-0A	20.00	21.00	22.20
18	FPC0.5-SMT21-18L2-0A	8.50	9.50	10.70	42	FPC0.5-SMT21-42L2-0A	20.50	21.50	22.70
19	FPC0.5-SMT21-19L2-0A	9.00	10.00	11.20	43	FPC0.5-SMT21-43L2-0A	21.00	22.00	23.20
20	FPC0.5-SMT21-20L2-0A	9.50	10.50	11.70	44	FPC0.5-SMT21-44L2-0A	21.50	22.50	23.70
21	FPC0.5-SMT21-21L2-0A	10.00	11.00	12.20	45	FPC0.5-SMT21-45L2-0A	22.00	23.00	24.20
22	FPC0.5-SMT21-22L2-0A	10.50	11.50	12.70	46	FPC0.5-SMT21-46L2-0A	22.50	23.50	24.70
23	FPC0.5-SMT21-23L2-0A	11.00	12.00	13.20	47	FPC0.5-SMT21-47L2-0A	23.00	24.00	25.20
24	FPC0.5-SMT21-24L2-0A	11.50	12.50	13.70	48	FPC0.5-SMT21-48L2-0A	23.50	24.50	25.70
25	FPC0.5-SMT21-25L2-0A	12.00	13.00	14.20	49	FPC0.5-SMT21-49L2-0A	24.00	25.00	26.20
26	FPC0.5-SMT21-26L2-0A	12.50	13.50	14.70	50	FPC0.5-SMT21-50L2-0A	24.50	25.50	26.70
27	FPC0.5-SMT21-27L2-0A	13.00	14.00	15.20					

Http://www.goxconn.com

E-mail:sales@goxconn.com

P/22

Tel:86-0755-29662746

Fax:86-0755-29662471

Add:A Building,Chentian industrial park,Xixiang Town,Banan District,Shenzhen,China.