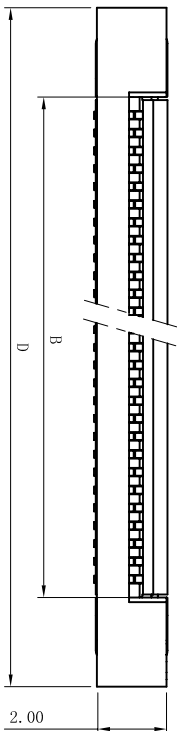
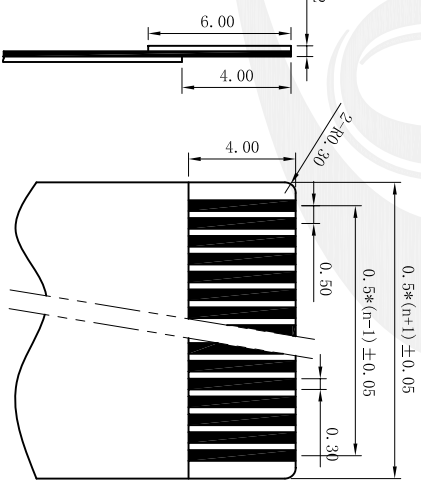
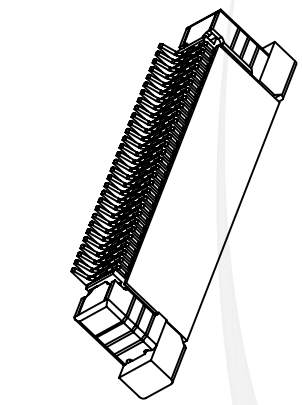
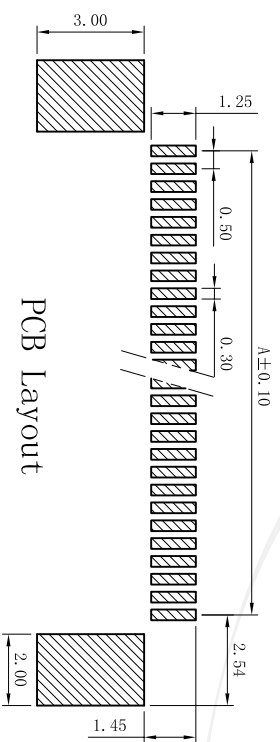
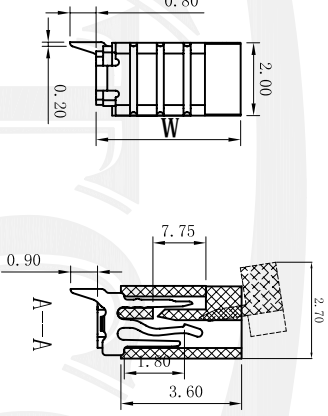
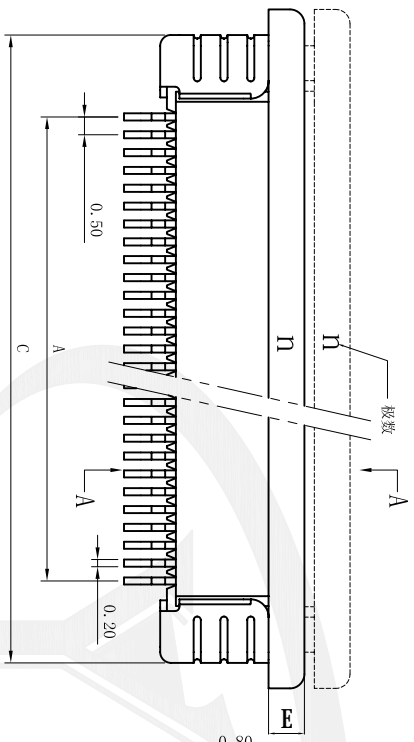


Rev No	Revision note	Date	Signature	Checked
A/0				



NO. of Pins	DIM ^W E ^W	DIM ^W W ^W
4-29	1.50	4.70
30-39	1.60	4.80
40-60	1.70	4.90



5050-XX ZU XX X W1 X

NO. of Pins

- Contact Plating
G0=Gold Flash
G1=3u" Gold
S0=Gold Flash/Tin
S1=3u"Gold/Tin
SN=Tin
- Color Insulator
A=Brown
B=Black
W=White
E=Beige
- Packing
3=Tube
5=Tape&Reel

NOTES:
SPECIFICATION

- Current Rating:0.4Ampereper Contact
- Contact Resistance:20Milliohms Max
- Insulation Resistance:500Megohms Min
- Dielectric Withstanding Voltage:200V AC
- Operation Temperature:-20℃~+85℃
- Material**
- Terminal:Phosphor Bronze
- Fattig Nail:Phosphor Bronze
- Contact Plating:Au or Sn Over Ni
- Housing:LCP (UL94V-0)
- Slider:Contact Pins<30P,PPS (UL94V-0)
- Contact Pins≥30P,LCP (UL94V-0)

Pins	A	B	C	D
4	1.50	2.60	6.35	7.65
5	2.00	3.10	6.85	8.15
6	2.50	3.60	7.35	8.65
7	3.00	4.10	7.85	9.15
8	3.50	4.60	8.35	9.65
9	4.00	5.10	8.85	10.15
10	4.50	5.60	9.35	10.65
11	5.00	6.10	9.85	11.15
12	5.50	6.60	10.35	11.65
13	6.00	7.10	10.85	12.15
14	6.50	7.60	11.35	12.65
15	7.00	8.10	11.85	13.15
16	7.50	8.60	12.35	13.65
17	8.00	9.10	12.85	14.15
18	8.50	9.60	13.35	14.65
19	9.00	10.10	13.85	15.15
20	9.50	10.60	14.35	15.65
21	10.00	11.10	14.85	16.15
22	10.50	11.60	15.35	16.65
23	11.00	12.10	15.85	17.15
24	11.50	12.60	16.35	17.65
25	12.00	13.10	16.85	18.15
26	12.50	13.60	17.35	18.65
27	13.00	14.10	17.85	19.15
28	13.50	14.60	18.35	19.65
29	14.00	15.10	18.85	20.15
30	14.50	15.60	19.35	20.65
31	15.00	16.10	19.85	21.15
32	15.50	16.60	20.35	21.65
33	16.00	17.10	20.85	22.15
34	16.50	17.60	21.35	22.65
35	17.00	18.10	21.85	23.15
36	17.50	18.60	22.35	23.65
37	18.00	19.10	22.85	24.15
38	18.50	19.60	23.35	24.65
39	19.00	20.10	23.85	25.15
40	19.50	20.60	24.35	25.65
41	20.00	21.10	24.85	26.15
42	20.50	21.60	25.35	26.65
43	21.00	22.10	25.85	27.15
44	21.50	22.60	26.35	27.65
45	22.00	23.10	26.85	28.15
46	22.50	23.60	27.35	28.65
47	23.00	24.10	27.85	29.15
48	23.50	24.60	28.35	29.65
49	24.00	25.10	28.85	30.15
50	24.50	25.60	29.35	30.65
51	25.00	26.10	29.85	31.15
52	25.50	26.60	30.35	31.65
53	26.00	27.10	30.85	32.15
54	26.50	27.60	31.35	32.65
55	27.00	28.10	31.85	33.15
56	27.50	28.60	32.35	33.65
57	28.00	29.10	32.85	34.15
58	28.50	29.60	33.35	34.65
59	29.00	30.10	33.85	35.15
60	29.50	30.60	34.35	35.65

适用扁平电缆

THIS DRAWING IS A CONTROLLED DOCUMENT

DRAWN	DATE	CHK	DATE	TITLE
JACK	OCT.05.2006	MIKE	OCT.05.2006	0.50mmFPC 90°SMT UP Contact Withlock

YTCO YTCO TECHNOLOGY
HTTP://WWW.YTCO.CO

DIMENSIONS	TOLERANCES UNLESS OTHERWISE SPECIFIED	UNITS	SCALE	SIZE	DRAWING NO.
INCHES	OTHERWISE SPECIFIED	MM	1:1	A4	5050-XXZUXXXW1X

NO. of PLCS	ANGLES	CAGE CODE	FILE PATH	SHEET	REV
0 PLG ± —	± 3°	00871		1 OF 1	A

4

3

2

1