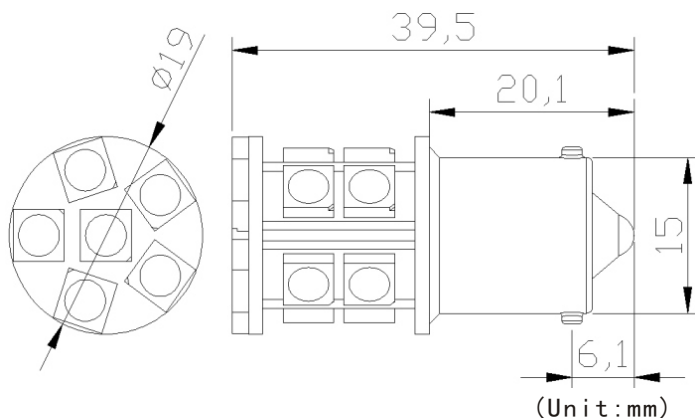


## PRODUCT TYPE

FOR-K1156-B16000-300W-PC



## DESCRIPTION

1156 car LED bulb 5050\*16PCS Flat foot bronze head 8-30V White

### A Electronics And Optical Characteristics: Ta=25°C

Emitting Color	Forward Voltage Unit:v	Totality Luminous flux Unit:LM	Single LED Intensity Unit:mcd	Dominant Wavelength Unit:nm	Viewing Angle Unit:deg	Color Temperature Unit:K
NW	8-30V	160	5400-7500	---	360	4000-5000
WW	8-31V	160	5400-7500	---	360	2700-3500
CW	8-32V	160	5400-7500	---	360	6000-7000
Test Condition	Test Voltage: 12V		Current: 105mA±10%		Power: 1.26W	
IR max: 10 μA/per chip			VR= 5V/per chip			

### B Absolute Maximum Ratings AT Ta=25°C

PARAMETER	MAX	UNIT
Continuous Forward Current	60	mA/per chip
Peak Forward Current (1/10 Duty Cycle 0.1ms Pulse Width)	100	mA/per chip
Reverse Voltage	5	V/per chip
Operating Temperature Range	-30°C to +75°C	
Storage Temperature/Humidity Range	-40°C to +100°C (/40%to70%)	

Lead Solder Temperature 1.6mmBelow Package 260°C For 5 seconds

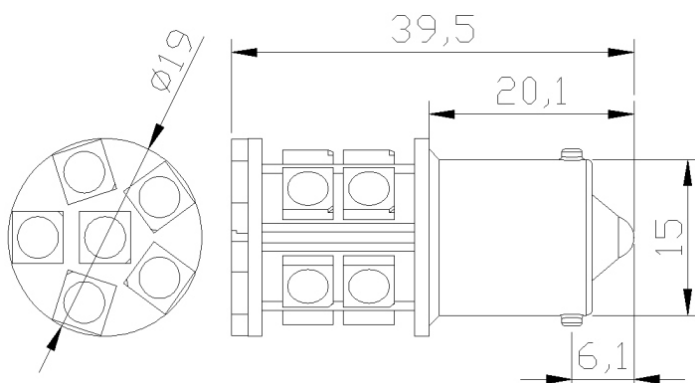
Usage: LED brake bulb, LED tail bulb, LED turning bulb, LED running light...

Advantage: fast heat dissipation, good color rendering, high luminous efficiency, emitting color uniformity with 360 degree, good quality, Integral design, new structure, easy and flexible installation, the quantity SMD add or reduce to adjust the luminous to meet customers' requirements.

## PACKAGE

### FOR-K1156-B16000-300W-PC

Package Dimensions (Unit:mm) :



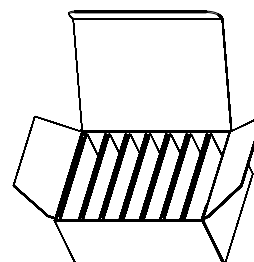
- Packaging: 4 #Blister Card(2 pcs)
- Net weight: 9. 2g
- Gross weight: 18. 1g
- Box size: 210\*150\*92mm
- Carton size: 440\*320\*310mm
- Packaging Quantity: 336pcs

1PCS/Blister



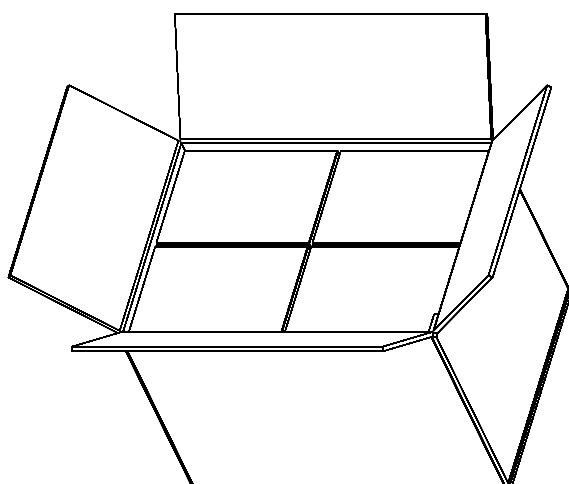
Blister

14Blister/ box



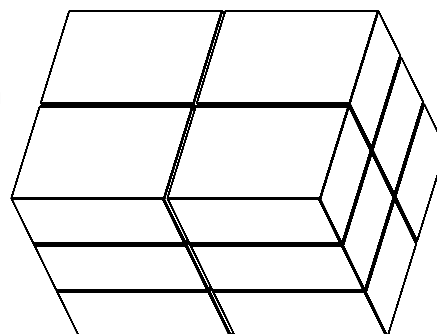
box size(L210\*W150\*H92MM)

12 boxes



Carton(L440\*W320\*H310MM)

12 boxes/carton



## CONTACT US