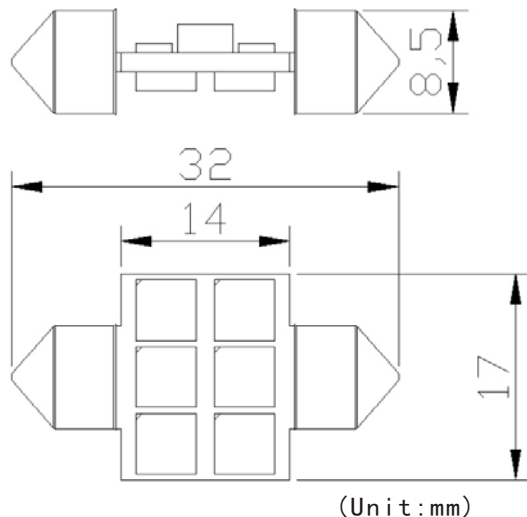
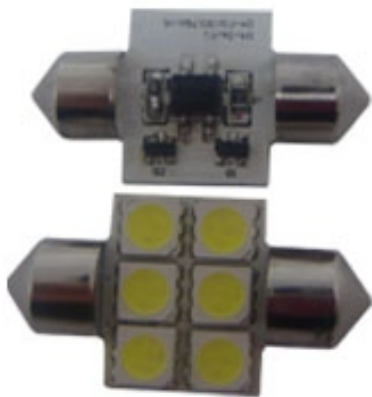


PRODUCT TYPE

FOR-JAB060W-31XX-18



DESCRIPTION

211 car festoon LED bulb 5050SMD*6PCS L31MM DC11-18V White

A Electronics And Optical Characteristics: Ta=25°C

Emitting Color	Forward Voltage Unit:v	Totality Luminous flux Unit:LM	Single LED Intensity Unit:mcd	Dominant Wavelength Unit:nm	Viewing Angle Unit:deg	Color Temperature Unit:K
NW	11-18	60	5400-7500	---	120	4000-5000
WW	11-18	60	5400-7500	---	120	2700-3500
CW	11-18	60	5400-7500	---	120	6000-7000
Test Condition	Test Voltage: 12V		Current: 60mA±10%		Power: 0.72 W	
IR max: 10 μA/per chip			VR= 5V/per chip			

B Absolute Maximum Ratings AT Ta=25°C

PARAMETER	MAX	UNIT
Continuous Forward Current	60	mA/per chip
Peak Forward Current (1/10 Duty Cycle 0.1ms Pulse Width)	100	mA/per chip
Reverse Voltage	5	V/per chip
Operating Temperature Range	-30°C to +75°C	
Storage Temperature/Humidity Range	-40°C to +100°C (/40%to70%)	

Lead Solder Temperature 1.6mmBelow Package 260°C For 5 seconds

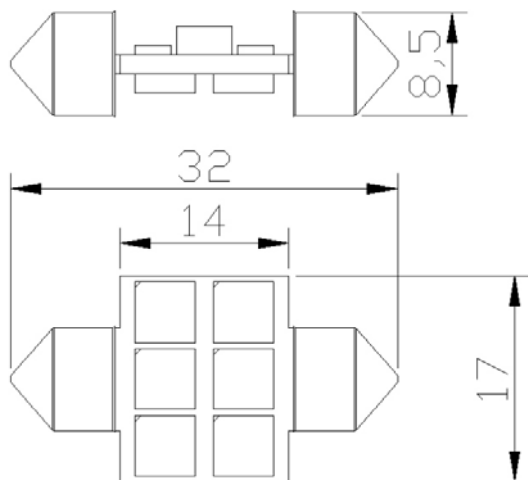
Usage: LED doom bulb, LED reading bulb, LED license plate bulb,...

Advantage: With high quality copper head, very durable, fast heat dissipation, good color rendering, high luminous efficiency, emitting color uniformity, compact good looks, the quantity SMD, length add or reduce to adjust the luminous to meet customers' requirements.

PACKAGE

FOR-JAB060W-31XX-18

Package Dimensions (Unit:mm) :



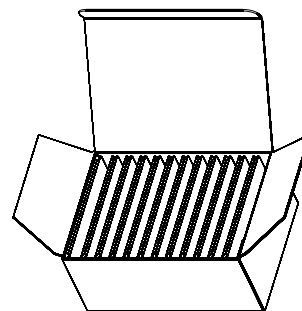
- Packaging: 5#Blister Card (2pcs)
- Net weight: 2. 8g
- Gross weight: 11. 7g
- Box size: 210*150*92mm
- Carton size: 440*320*310mm
- Packaging Quantity: 576pcs

2PCS/Blister



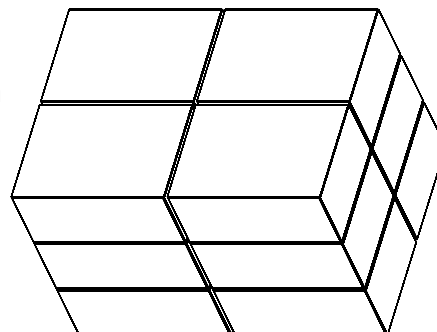
Blister

24Blister/ box

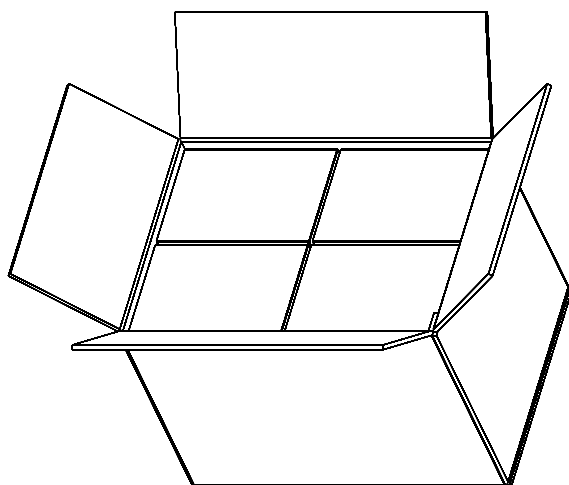


box size(L210*W150*H92MM)

12 boxes



12 boxes/carton



Carton(L440*W320*H310MM)

CONTACT US